

## Silicon PNP Power Transistors

MJL21193

## DESCRIPTION

www.datasheet4u.com

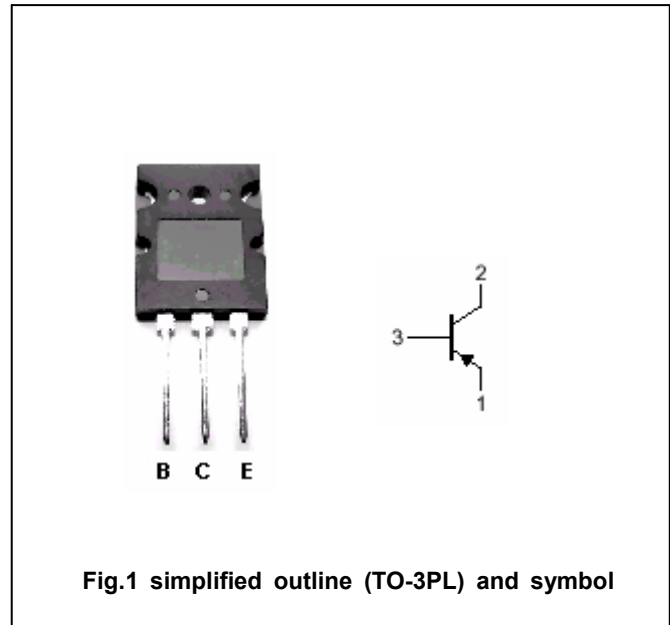
- With TO-3PL package
- Complement to type MJL21194
- Excellent gain linearity

## APPLICATIONS

- Designed for high power audio output, disk head positioners and linear applications

## PINNING

PIN	DESCRIPTION
1	Emitter
2	Collector; connected to mounting base
3	Base

ABSOLUTE MAXIMUM RATINGS( $T_C=25^\circ\text{C}$ )

SYMBOL	PARAMETER	CONDITIONS	MAX	UNIT
$V_{CBO}$	Collector-base voltage	Open emitter	-400	V
$V_{CEO}$	Collector-emitter voltage	Open base	-250	V
$V_{EBO}$	Emitter-base voltage	Open collector	-5	V
$I_C$	Collector current		-16	A
$I_{CM}$	Collector current-peak		-30	A
$I_B$	Base current		-5	A
$P_D$	Total power dissipation	$T_C=25^\circ\text{C}$	200	W
$T_j$	Junction temperature		-65~150	$^\circ\text{C}$
$T_{stg}$	Storage temperature		-65~150	$^\circ\text{C}$

## THERMAL CHARACTERISTICS

SYMBOL	PARAMETER	VALUE	UNIT
$R_{th-j-c}$	Thermal resistance from junction to case	0.7	$^\circ\text{C}/\text{W}$

## Silicon PNP Power Transistors

## MJL21193

## CHARACTERISTICS

T<sub>j</sub>=25°C unless otherwise specified

www.datasheet4u.com

SYMBOL	PARAMETER	CONDITIONS	MIN	TYP.	MAX	UNIT
V <sub>(BR)CEO</sub>	Collector-emitter breakdown voltage	I <sub>C</sub> =-100mA ; I <sub>B</sub> =0	-250			V
V <sub>CE(sat)-1</sub>	Collector-emitter saturation voltage	I <sub>C</sub> =-8A; I <sub>B</sub> =-0.8A			-1.4	V
V <sub>CE(sat)-2</sub>	Collector-emitter saturation voltage	I <sub>C</sub> =-16A; I <sub>B</sub> =-3.2A			-4.0	V
V <sub>BE(ON)</sub>	Base-emitter on voltage	I <sub>C</sub> =-8A ; V <sub>CE</sub> =-5V			-2.2	V
I <sub>CEX</sub>	Collector cut-off current	V <sub>CE</sub> =-250V; V <sub>BE(off)</sub> =-1.5V			-100	μA
I <sub>CEO</sub>	Collector cut-off current	V <sub>CE</sub> =-200V; I <sub>B</sub> =0			-100	μA
I <sub>EBO</sub>	Emitter cut-off current	V <sub>EB</sub> =-5V; I <sub>C</sub> =0			-100	μA
h <sub>FE-1</sub>	DC current gain	I <sub>C</sub> =-8A ; V <sub>CE</sub> =-5V	25		75	
h <sub>FE-2</sub>	DC current gain	I <sub>C</sub> =-16A ; V <sub>CE</sub> =-5V	8			
f <sub>T</sub>	Transition frequency	I <sub>C</sub> =-1A ; V <sub>CE</sub> =-10V, f=1MHz	4			MHz
C <sub>OB</sub>	Collector output capacitance	f=1MHz; V <sub>CB</sub> =-10V, I <sub>E</sub> =0			500	pF

Silicon PNP Power Transistors

MJL21193

PACKAGE OUTLINE

www.datasheet4u.com

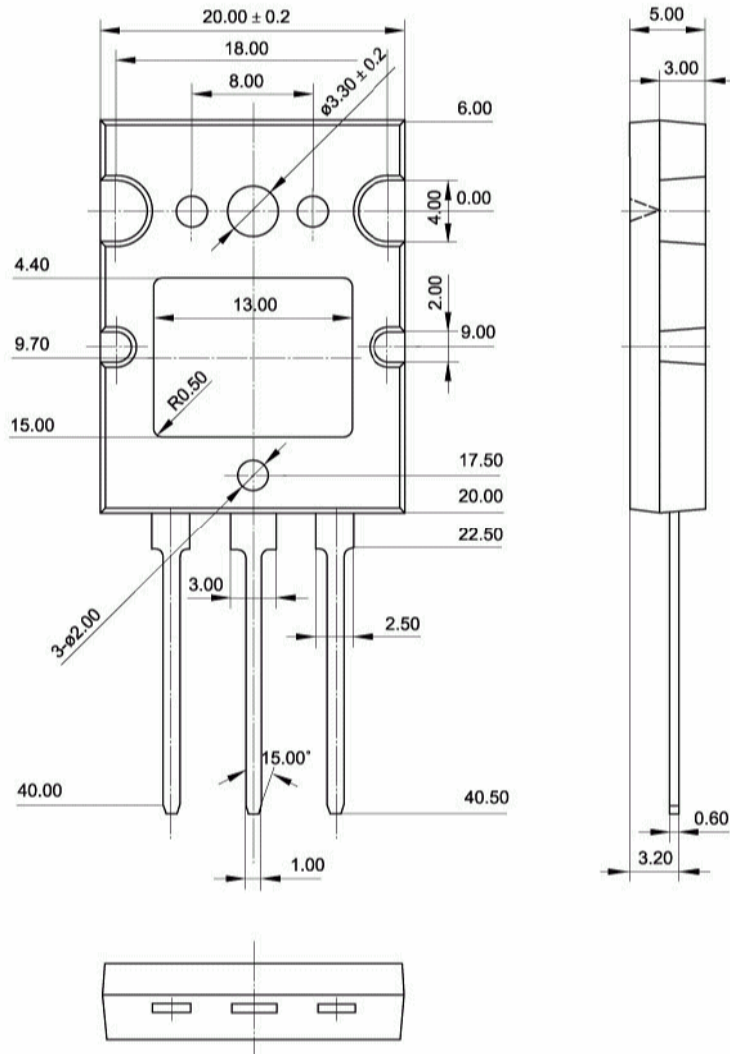


Fig.2 Outline dimensions (unindicated tolerance:±0.50 mm)