

Silicon NPN Power Transistors

MJW16010

DESCRIPTION

- With TO-247 package
- High voltage ,high speed

APPLICATIONS

- Switching Regulators
- Inverters
- Solenoids
- Relay Drivers
- Motor Controls
- Deflection Circuits

PINNING (see Fig.2)

PIN	DESCRIPTION
1	Base
2	Collector;connected to mounting base
3	Emitter

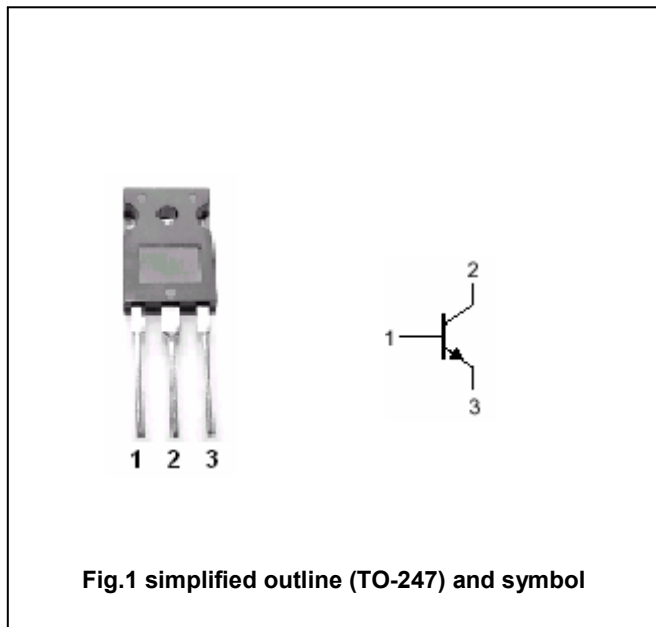


Fig.1 simplified outline (TO-247) and symbol

ABSOLUTE MAXIMUM RATINGS(T_c=25°C)

SYMBOL	PARAMETER	CONDITIONS	VALUE	UNIT
V _{CBO}	Collector-base voltage	Open emitter	850	V
V _{CEO}	Collector-emitter voltage	Open base	450	V
V _{EBO}	Emitter-base voltage	Open collector	6	V
I _C	Collector current		15	A
I _{CM}	Collector current-peak		20	A
I _B	Base current		10	A
I _{BM}	Base current-peak		15	A
P _D	Total Power Dissipation Derate above 25°C	T _c =25°C	135 1.11	W W/°C
T _j	Junction temperature		150	°C
T _{stg}	Storage temperature		-55~150	°C

THERMAL CHARACTERISTICS

SYMBOL	PARAMETER	VALUE	UNIT
R _{th j-c}	Thermal resistance junction to case	0.93	°C/W

Silicon NPN Power Transistors

MJW16010

CHARACTERISTICS

T_j=25°C unless otherwise specified

www.datasheet4u.com

SYMBOL	PARAMETER	CONDITIONS	MIN	TYP.	MAX	UNIT
V _{CEQ(SUS)}	Collector-emitter sustaining voltage	I _C =0.1A ; I _B =0	450			V
V _{CE(sat)-1}	Collector-emitter saturation voltage	I _C =5A ; I _B =0.7A			2.5	V
V _{CE(sat)-2}	Collector-emitter saturation voltage	I _C =10A ; I _B =1.3A T _C =100°C			3.0 3.0	V
V _{BE(sat)}	Base-emitter saturation voltage	I _C =10A ; I _B =1.3A T _C =100°C			1.5 1.5	V
I _{CER}	Collector cut-off current	V _{CE} =850V ; R _{BE} =50Ω ; T _C =100°C			2.5	mA
I _{CEV}	Collector cut-off current	V _{CE} =850V ; V _{BE(off)} =1.5V T _C =100°C			0.25 1.5	mA
I _{EBO}	Emitter cut-off current	V _{EB} =6V ; I _C =0			1.0	mA
h _{FE}	DC current gain	I _C =15A ; V _{CE} =5V	5			
C _{OB}	Output capacitance	V _{CB} =10V, I _E =0 ; f=1.0KHz			400	pF

Switching times resistive load

t _d	Delay time	I _C =10A ; V _{CC} =250V I _{B1} =1.3A ; I _{B2} =2.6A PW=30μs ; R _{B2} =1.6Ω Duty Cycle≤2.0%		20		ns
t _r	Rise time			200		ns
t _s	Storage time			1200		ns
t _f	Fall time			200		ns

Silicon NPN Power Transistors

MJW16010

PACKAGE OUTLINE

www.datasheet4u.com

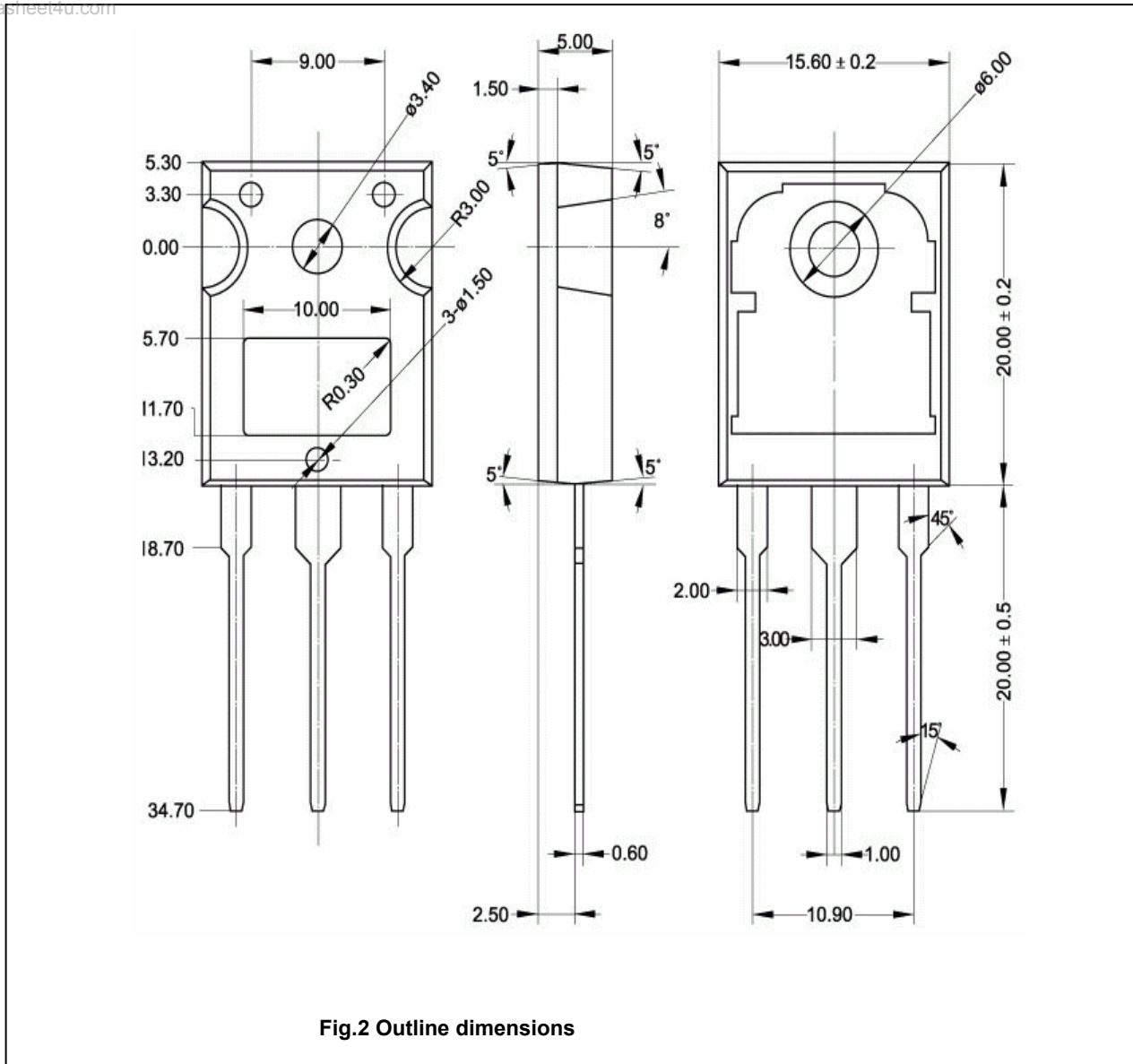


Fig.2 Outline dimensions