



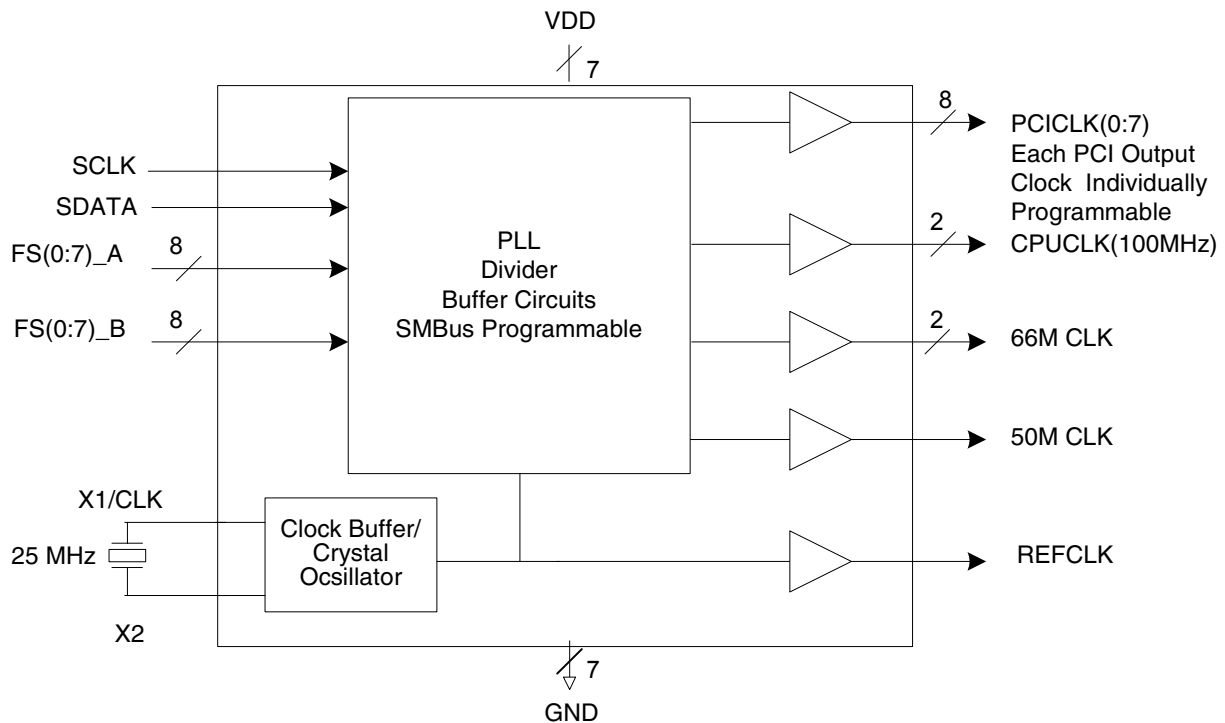
Description

The MK1493-01 is a general purpose clock generator part that provides an integrated clocking solution for PCI /networking applications. It provides 8 individually programmable PCI clocks, 2 CPU clocks, additional fixed PCI clocks and a 25 MHz reference clock for LAN support. This part incorporates ICS's newest clock technology, offering more robust features and functionality. Using a serially programmable SMBus interface, the MK1493-01 can select the output clock frequency, and enabling/disabling each individual output clock.

Features

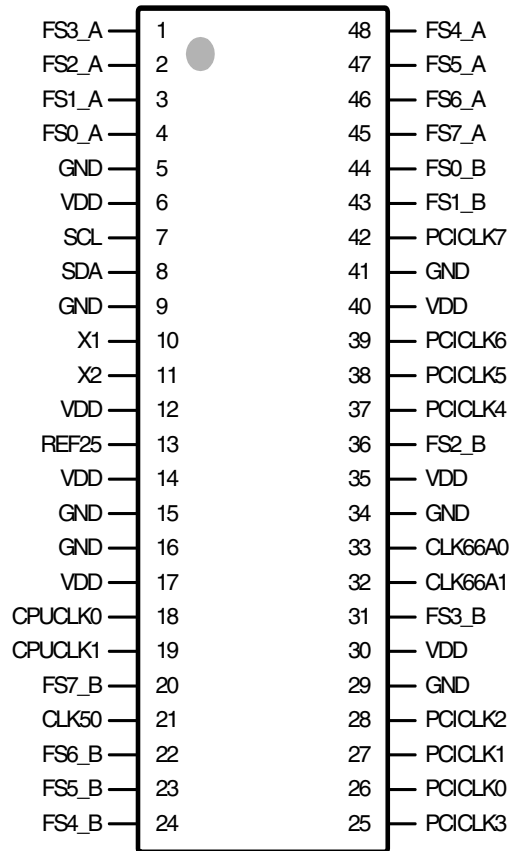
- 8 PCI clocks at 25, 33, 50, 66.66 MHz individually pin selectable and serial port selectable
- 2 CPU clocks at 100 MHz
- 2 PCI clocks at 66.66 MHz
- 1 PCI clock @ 50 MHz
- 25 MHz reference clock
- SMBus Programming
- Power-up default frequency can be selected through FS inputs
- 25 MHz crystal or clock input required
- PCICLK cycle to cycle jitter <250ps
- CPUCLK cycle to cycle jitter <100ps
- Packaged in 48-pin (240mil) TSSOP Package
- Operating Voltage 3.3V + - 5%

Block Diagram





Pin Assignment



Pin Descriptions

Pin Number	Pin Name	Pin Type	Pin Description
1	FS3_A	Input	Frequency select input pin for PCI CLK3 per per table 1. Pull up resistor.
2	FS2_A	Input	Frequency select input pin for PCI CLK2 per per table 1. Pull up resistor.
3	FS1_A	Input	Frequency select input pin for PCI CLK1 per per table 1. Pull up resistor.
4	FS0_A	Input	Frequency select input pin for PCI CLK0 per per table 1. Pull up resistor.
5	GND	Power	Connect to ground.
6	VDD	Power	Connect to +3.3 V.
7	SCL	Input	Clock pin for SMBus circuitry, 5 V tolerant.
8	SDA	Input	Data pin for SMBus circuitry, 5 V tolerant.
9	GND	Power	Connect to ground.
10	X1/ICLK	Input	Crystal connection/input clock. Connect to a 25 MHz fundamental mode crystal.
11	X2	XO	Crystal connection. Connect to a 25 MHz fundamental mode crystal or leave open.
12	VDD	Power	Connect to +3.3 V.



Pin Number	Pin Name	Pin Type	Pin Description
13	REF25	Output	Buffered reference output of 25 MHz crystal input.
14	VDD	Power	Connect to +3.3 V.
15	GND	Power	Connect to ground.
16	GND	Power	Connect to ground.
17	VDD	Power	Connect to +3.3 V.
18	CPUCLK0	Output	100 MHz CPU clock.
19	CPUCLK1	Output	100 MHz CPU clock.
20	FS7_B	Input	1 of 4 frequency select input pin for PCI CLK7 per per table 1. Pull-up resistor.
21	CLK50	Output	50 MHz clock output.
22	FS6_B	Input	Frequency select input pin for PCI CLK6 per per table 1. Pull-up resistor.
23	FS5_B	Input	Frequency select input pin for PCI CLK5 per per table 1. Pull-up resistor.
24	FS4_B	Input	Frequency select input pin for PCI CLK4 per per table 1. Pull-up resistor.
25	PCICLK3	Output	PCI CLK3.
26	PCICLK0	Output	PCI CLK0.
27	PCICLK1	Output	PCI CLK1.
28	PCICLK2	Output	PCI CLK2.
29	GND	Power	Connect to ground.
30	VDD	Power	Connect to +3.3 V.
31	FS3_B	Input	Frequency select input pin for PCI CLK3 per per table 1. Pull-up resistor.
32	CLK66A1	Output	Additional PCI Clock (fixed frequency 66 MHz).
33	CLK66A0	Output	Additional PCI Clock (fixed frequency 66 MHz).
34	GND	Power	Connect to ground.
35	VDD	Power	Connect to +3.3 V.
36	FS2_B	Input	Frequency select input pin for PCI CLK2 per per table 1. Pull-up resistor.
37	PCICLK4	Output	PCI CLK4.
38	PCICLK5	Output	PCI CLK5.
39	PCICLK6	Output	PCI CLK6.
40	VDD	Power	Connect to +3.3 V.
41	GND	Power	Connect to ground.
42	PCICLK7	Output	PCI CLK7.
43	FS1_B	Input	Frequency select input pin for PCI CLK1 per per table 1. Pull-up resistor.
44	FS0_B	Input	Frequency select input pin for PCI CLK0 per per table 1. Pull-up resistor.
45	FS7_A	Input	Frequency select input pin for PCI CLK7 per per table 1. Pull-up resistor.
46	FS6_A	Input	Frequency select input pin for PCI CLK6 per per table 1. Pull-up resistor.
47	FS5_A	Input	Frequency select input pin for PCI CLK5 per per table 1. Pull-up resistor.
48	FS4_A	Input	Frequency select input pin for PCI CLK4 per per table 1. Pull-up resistor.



Table 1. Frequency Select

FS(0:7)_B	FS(0:7)_A	PCICLK(0:7)
0	0	25 MHz
0	1	33.33 MHz
1	0	50 MHz
1	1	66.66 MHz

Power Groups

Pin Number		Description
VDD	GND	
12	9	Ref, Crystal Osc Power supply
30, 40	29, 41	PCICLK
35	34	PCI 66 clocks
6	5	SCLK
17	16	CPU Clocks(100MHz)
14	15	PLL

Index Block Write Operation		
Controller (Host)		ICS (Slave/Receiver)
T	starT bit	
Slave Address D2 (H)		
WR	WRite	
Beginning Byte = N		ACK
Data Byte Count = X		ACK
Beginning Byte N		ACK
O		X Byte
O		
O		
Byte N + X - 1		O
		O
		O
P	stoP bit	ACK

General I²C Serial Interface Information

How to Write:

- Controller (host) sends a start bit
- Controller (host) sends the write address D2 (H)
- ICS clock will **acknowledge**
- Controller (host) sends the beginning byte location = N
- ICS clock will **acknowledge**
- Controller (host) starts sending Byte **N through Byte N+X-1(note 2)**
- ICS clock will **acknowledge** each byte **one at a time**
- Controller (host) sends a Stop bit



How to Read:

- Controller (host) will send a start bit
- Controller (host) sends the write address D2 (H)
- ICS clock will **acknowledge**
- Controller (host) sends the beginning byte location = N
- ICS clock will **acknowledge**
- Controller (host) will send a separate start bit
- Controller (host) sends the read address D3 (H)
- ICS clock will **acknowledge**
- ICS clock will send the data byte count = X
- ICS clock sends Byte N+X-1
- ICS clock sends **Byte 0 through Byte X (if X(H) was written to Byte 8)**
- Controller (host) will need to acknowledge each byte
- Controller (host) will send a not acknowledge bit
- Controller (host) will send a stop bit

Index Block Read Operation			
Controller (Host)			ICS (Slave/Receiver)
T	starT bit		
Slave Address D2 (H)			
WR	WRite		
Beginning Byte = N			ACK
			ACK
RT	Repeat starT		
Slave Address D3 (H)			
RD	ReaD		
			ACK
		Data Byte Count=X	
ACK		Beginning Byte N	
ACK			
O		O	
O		O	
O		O	
		Byte N + X - 1	
N	Not		
P	stoP bit		

SMBus Table 2: Read-Back Register

Byte 0	Pin #	Name	Control Function	Type	0	1	PWD
Bit 7	-		RESERVED				0
Bit 6	-	FS vs. SMBus prog	HW/SW select	RW	HW	SW	0
Bit 5	-		RESERVED				0
Bit 4	-		RESERVED				0
Bit 3	-		RESERVED				0
Bit 2	-		Frequency Selection		See Frequency table 3		0
Bit 1	-			0			
Bit 0	-			0			



SMBus Table 2: Output Control Register

Byte 1	Pin #	Name	Control Function	Type	0	1	PWD
Bit 7	40	PCICLK7	Output Control	RW	Disable	Enable	1
Bit 6	39	PCICLK6	Output Control	RW	Disable	Enable	1
Bit 5	38	PCICLK5	Output Control	RW	Disable	Enable	1
Bit 4	37	PCICLK4	Output Control	RW	Disable	Enable	1
Bit 3	31	PCICLK3	Output Control	RW	Disable	Enable	1
Bit 2	28	PCICLK2	Output Control	RW	Disable	Enable	1
Bit 1	27	PCICLK1	Output Control	RW	Disable	Enable	1
Bit 0	26	PCICLK0	Output Control	RW	Disable	Enable	1

SMBus Table 2: Output Control Register

Byte 2	Pin #	Name	Control Function	Type	0	1	PWD
Bit 7	-		RESERVED				0
Bit 6	-		RESERVED				0
Bit 5	32	CLK66A1	Output Control	RW	Disable	Enable	0
Bit 4	33	CLK66A0	Output Control	RW	Disable	Enable	1
Bit 3	12	REF25	Output Control	RW	Disable	Enable	0
Bit 2	19	CPUCLK1	Output Control	RW	Disable	Enable	1
Bit 1	18	CPUCLK0	Output Control	RW	Disable	Enable	1
Bit 0	20	CLK50	Output Control	RW	Disable	Enable	1

SMBus Table 2: Frequency Control Register

Byte 3	Pin #	Control Function	Type	0	1	PWD
Bit 7	4	FS0_A	RW	See Frequency Table 1		X
Bit 6	44	FS0_B	RW			X
Bit 5	3	FS1_A	RW			X
Bit 4	43	FS1_B	RW			X
Bit 3	2	FS2_A	RW			X
Bit 2	36	FS2_B	RW			X
Bit 1	1	FS3_A	RW			X
Bit 0	31	FS3_B	RW			X

**SMBus Table 2: Frequency Control Register**

Byte 4	Pin #	Control Function	Type	0	1	PWD
Bit 7	48	FS4_A	RW	See Frequency Table 1		X
Bit 6	24	FS4_B	RW			X
Bit 5	47	FS5_A	RW			X
Bit 4	23	FS5_B	RW			X
Bit 3	46	FS6_A	RW			X
Bit 2	22	FS6_B	RW			X
Bit 1	45	FS7_A	RW			X
Bit 0	20	FS7_B	RW			X

SMBus Table 2: Reserved

Byte 5	Pin #	Control Function	Type	0	1	PWD
Bit 7		RESERVED	-	RESERVED		0
Bit 6		RESERVED	-			0
Bit 5		RESERVED	-			0
Bit 4		RESERVED	-			0
Bit 3		RESERVED	-			0
Bit 2		RESERVED	-			0
Bit 1		RESERVED	-			0
Bit 0		RESERVED	-			0

SMBus Table 2: Reserved

Byte 6	Pin #	Control Function	Type	0	1	PWD
Bit 7		RESERVED	-	RESERVED		0
Bit 6		RESERVED	-			0
Bit 5		RESERVED	-			0
Bit 4		RESERVED	-			0
Bit 3		RESERVED	-			1
Bit 2		RESERVED	-			0
Bit 1		RESERVED	-			0
Bit 0		RESERVED	-			0



MBus Table 2: Vendor and Revision ID Register

Byte 7	Pin #	Control Function	Type	0	1	PWD
Bit 7		RID3	R	REVISION ID		0
Bit 6		RID2	R			0
Bit 5		RID1	R			0
Bit 4		RID0	R			0
Bit 3		VID3	R	VENDOR ID		0
Bit 2		VID2	R			0
Bit 1		VID1	R			0
Bit 0		VID0	R			1

MBus Table 2: Byte Count Register

Byte 8	Pin #	Control Function	Type	0	1	PWD
Bit 7		BC7	RW	Writing to this Register will confirm how many bytes will be read back, default 08=8 bytes		0
Bit 6		BC6	RW			0
Bit 5		BC5	RW			0
Bit 4		BC4	RW			0
Bit 3		BC3	RW			1
Bit 2		BC2	RW			0
Bit 1		BC1	RW			0
Bit 0		BC0	RW			0

Table 3. Frequency Selection through SMBus (Byte 0)

Bit 2	Bit 1	Bit 0	CPUCLK1,0 (MHz)	CLK50 (MHz)	CLK66A1,A0 (MHz)	PCICLK (MHz)
0	0	0	100.00	50.00	66.66	nominal
0	0	1	105.00	nominal + 5%	nominal + 5%	nominal + 5%
0	1	0	110.00	nominal + 10%	nominal + 10%	nominal + 10%
0	1	1	95.00	nominal - 5%	nominal - 5%	nominal - 5%
1	0	0	90.00	nominal - 10%	nominal - 10%	nominal - 10%



Absolute Maximum Ratings

Stresses above the ratings listed below can cause permanent damage to the MK1493-01. These ratings, which are standard values for ICS commercially rated parts, are stress ratings only. Functional operation of the device at these or any other conditions above those indicated in the operational sections of the specifications is not implied. Exposure to absolute maximum rating conditions for extended periods can affect product reliability. Electrical parameters are guaranteed only over the recommended operating temperature range.

Recommended Operation Conditions

Item	Rating
Supply Voltage, VDD	5.5 V
All Inputs and Outputs	-0.5 V to VDD+0.5 V
Ambient Operating Temperature	0 to +70°C
Storage Temperature	-65 to +150°C
Junction Temperature	125°C
Soldering Temperature	260°C

Parameter	Min.	Typ.	Max.	Units
Ambient Operating Temperature	0		+70	°C
Power Supply Voltage (measured in respect to GND)	+3.15	3.3	+3.45	V

DC Electrical Characteristics

Unless stated otherwise, VDD = 3.3 V±5%, Ambient Temperature 0 to +70°C

Parameter	Symbol	Conditions	Min.	Typ.	Max.	Units
Input High Voltage	V _{IH}		2			V
Input Low Voltage	V _{IL}				0.8	V
Input High Current	I _{IH}	V _{IN} =VDD	-5		5	μA
Input Low Current	I _{IL1}	V _{IN} =0V, SDA, SCL inputs with no pull-up resistors.	-5			μA
	I _{IL2}	V _{IN} =0V, All other inputs with pull-up resistors	-200			μA
Operating Supply Current	I _{DD}	CL = Full load		350		mA
Input Frequency	F _{IN}	Note 3		25		MHz
Pin Inductance	L _{PIN}	Note 1			7	nH



Parameter	Symbol	Conditions	Min.	Typ.	Max.	Units
Input Capacitance Note 1	C _{IN}	Logic inputs			5	pF
	C _{OUT}	Output pin capacitance			6	pF
	C _{INX}	X1 and X2 pins			5	pF
CLK Stabilization	T _{STAB}	From VDD Power-up Note 2			3	ms

Note 1: Guaranteed by design, not 100% tested in production.

Note 2: See timing diagrams for timing requirements.

Note 3: Input frequency should be measured at the REF output pin and tuned to ideal 25 MHz to meet ppm frequency accuracy on PLL outputs.

Electrical Characteristics - CPUCLK

Unless stated otherwise, VDD = 3.3 V±5%, CL=20 pf, Ambient Temperature 0 to +70° C

Parameter	Symbol	Conditions	Min.	Typ.	Max.	Units
Output Frequency	F _{O1}			100		MHz
Output Impedance	R _{DSP}	V _O = V _{DD} *(0.5) Note 1	12		55	Ω
Output High Voltage	V _{OH}	I _{OH} = -12 mA, Note 1	2.4			V
Output Low Voltage	V _{OL}	I _{OL} = 12 mA, Note 1		0.3	0.4	V
Output High Current	I _{OH}	V _{OH@MIN} = 2.0 V, Note 1			-19	mA
Output Low Current	I _{OL}	V _{OL@MAX} = 0.8 V Note 1	19			mA
Rise Time	t _{r1}	V _{OL} = 0.4 V, V _{OH} = 2.4 V, Note 1		1.2	1.7	ns
Fall Time	t _{f1}	V _{OH} = 2.4 V, V _{OL} = 0.8 V, Note 1		1.2	1.7	ns
Duty Cycle	dt1	V _T = 1.5 V	45	50	55	%
Output to Output Skew	tsk1	V _T = 1.5 V			175	ps
Cycle to Cycle Jitter		V _T = 1.5 V		50	100	ps

Note 1: Guaranteed by design, not 100% tested in production

Electrical Characteristics - CLK50, CLK66A0 & CLK66A1

Unless stated otherwise, VDD = 3.3 V±5%, CL= 20 pf, Ambient Temperature 0 to +70° C

Parameter	Symbol	Conditions	Min.	Typ.	Max.	Units
Output Frequency	F _{O1}			50&66		MHz
Output Impedance	R _{DSP}	V _O = V _{DD} *(0.5) Note 1	12		55	Ω
Output High Voltage	V _{OH}	I _{OH} = -12 mA, Note 1	2.4			V



Parameter	Symbol	Conditions	Min.	Typ.	Max.	Units
Output Low Voltage	V_{OL}	$I_{OL} = 12 \text{ mA}$, Note 1		0.3	0.4	V
Output High Current	I_{OH}	$V_{OH@MIN} = 2.0 \text{ V}$, Note 1			-19	mA
Output Low Current	I_{OL}	$V_{OH@MAX} = 0.8 \text{ V}$ Note 1	19			mA
Rise Time	t_{r1}	$V_{OL} = 0.4 \text{ V}$, $V_{OH} = 2.4 \text{ V}$, Note 1		1.2	1.7	ns
Fall Time	t_{f1}	$V_{OH} = 2.4 \text{ V}$, $V_{OL} = 0.4 \text{ V}$, Note 1		1.2	1.7	ns
Duty Cycle		$V_T = 1.5 \text{ V}$	45	50	55	%
Output to Output Skew (CLK66A0, A1)		$V_T = 1.5 \text{ V}$			175	ps
Cycle to Cycle Jitter		$V_T = 1.5 \text{ V}$			250	ps

Note 1: Guaranteed by design, not 100% tested in production

Electrical Characteristics - PCICLK

Unless stated otherwise, $V_{DD} = 3.3 \text{ V} \pm 5\%$, $CL = 30 \text{ pf}$, Ambient Temperature 0 to $+70^\circ \text{ C}$

Parameter	Symbol	Conditions	Min.	Typ.	Max.	Units
Output Frequency	F_{O1}	FS0		25		MHz
Output Impedance	R_{DSP}	$V_O = V_{DD} * (0.5)$ Note 1	12		55	Ω
Output High Voltage	V_{OH}	$I_{OH} = -1 \text{ mA}$, Note 1	2.4			V
Output Low Voltage	V_{OL}	$I_{OL} = 1 \text{ mA}$, Note 1			0.55	V
Output High Current	I_{OH}	$V_{OH@MIN} = 2.0 \text{ V}$, Note 1	-33			mA
Output Low Current	I_{OL}	$V_{OL@MAX} = 0.8 \text{ V}$ Note 1	30			mA
Rise Time	t_{r1}	$V_{OL} = 0.4 \text{ V}$, $V_{OH} = 2.4 \text{ V}$, Note 1		1.7	2.4	ns
Fall Time	t_{f1}	$V_{OH} = 2.4 \text{ V}$, $V_{OL} = 0.4 \text{ V}$, Note 1		1.7	2.4	ns
Duty Cycle		$V_T = 1.5 \text{ V}$	45	50	55	%
Output to Output Skew		$V_T = 1.5 \text{ V}$			250	ps
Cycle to Cycle Jitter		$V_T = 1.5 \text{ V}$			250	ps

Note 1: Guaranteed by design, not 100% tested in production



Electrical Characteristics - 25 MHz Reference

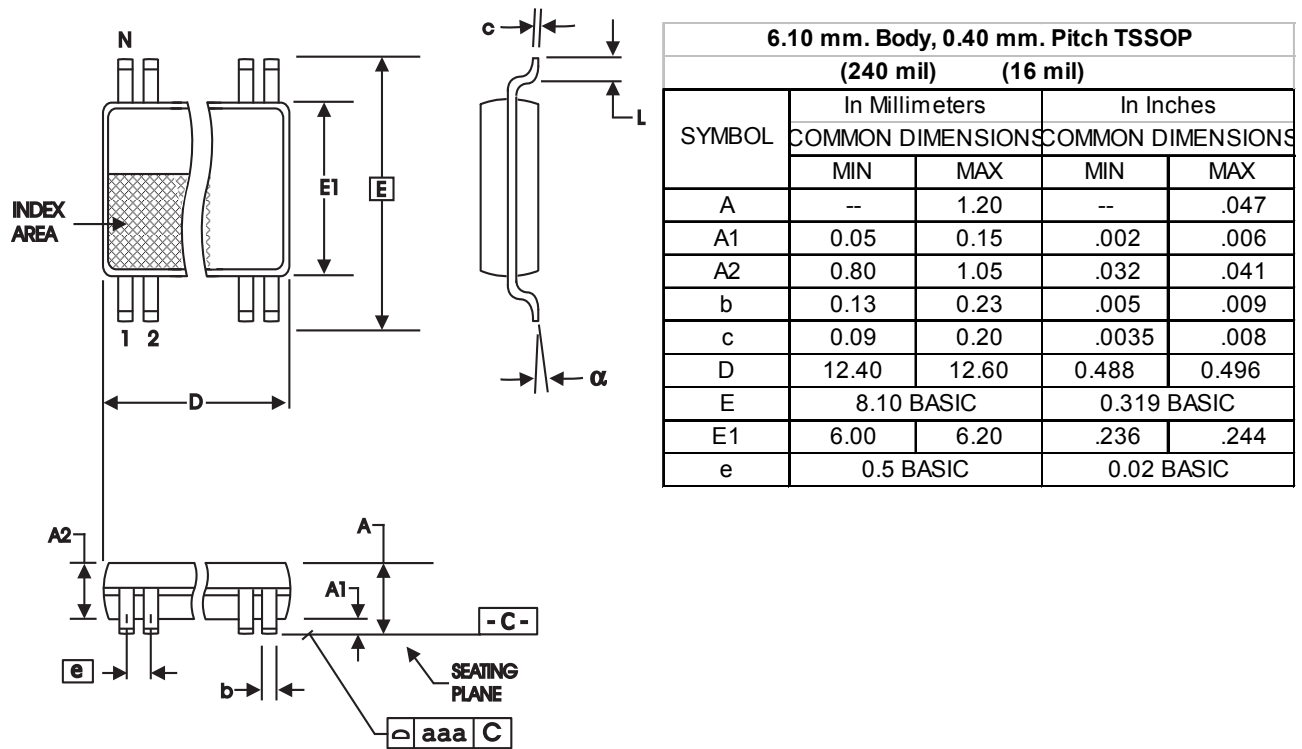
Unless stated otherwise, $V_{DD} = 3.3\text{ V} \pm 5\%$, $C_L = 20\text{ pf}$, $V_{DD} = 3.3\text{ V}$, Ambient Temperature 0 to $+70^\circ\text{ C}$

Parameter	Symbol	Conditions	Min.	Typ.	Max.	Units
Output Frequency	F_{O1}			25		MHz
Output Impedance	R_{DSP}	$V_O = V_{DD} \cdot (0.5)$ Note 1	20		60	Ω
Output High Voltage	V_{OH}	$I_{OH} = -1\text{ mA}$, Note 1	2.4			V
Output Low Voltage	V_{OL}	$I_{OL} = 1\text{ mA}$, Note 1			0.4	V
Output High Current	I_{OH}	$V_{OH@MIN} = 1.0\text{ V}$, $V_{OH@MAX} = 3.135\text{ V}$ Note 1	-29			mA
Output Low Current	I_{OL}	$V_{OL@MAX} = 0.8\text{ V}$ Note 1	29			mA
Rise Time	t_{r1}	$V_{OL} = 0.4\text{ V}$, $V_{OH} = 2.4\text{ V}$, Note 1		1.2	1.7	ns
Fall Time	t_{f1}	$V_{OH} = 2.4\text{ V}$, $V_{OL} = 0.4\text{ V}$, Note 1		1.2	1.7	ns
Duty Cycle		$V_T = 1.5\text{ V}$	45	50	55	%
Jitter Cycle to Cycle		$V_T = 1.5\text{ V}$			500	ps

Note 1: Guaranteed by design, not 100% tested in production

Package Outline and Package Dimensions (48-pin TSSOP, 240 Mil. Body)

Package dimensions are kept current with JEDEC Publication No. 95



Ordering Information

Part / Order Number	Marking	Shipping packaging	Package	Temperature
MK1493-01G	MK1493-01G	Tubes	48-pin TSSOP	0 to +70° C
MK1493-01GTR	MK1493-01G	Tape and Reel	48-pin TSSOP	0 to +70° C

While the information presented herein has been checked for both accuracy and reliability, Integrated Circuit Systems (ICS) assumes no responsibility for either its use or for the infringement of any patents or other rights of third parties, which would result from its use. No other circuits, patents, or licenses are implied. This product is intended for use in normal commercial applications. Any other applications such as those requiring extended temperature range, high reliability, or other extraordinary environmental requirements are not recommended without additional processing by ICS. ICS reserves the right to change any circuitry or specifications without notice. ICS does not authorize or warrant any ICS product for use in life support devices or critical medical instruments.