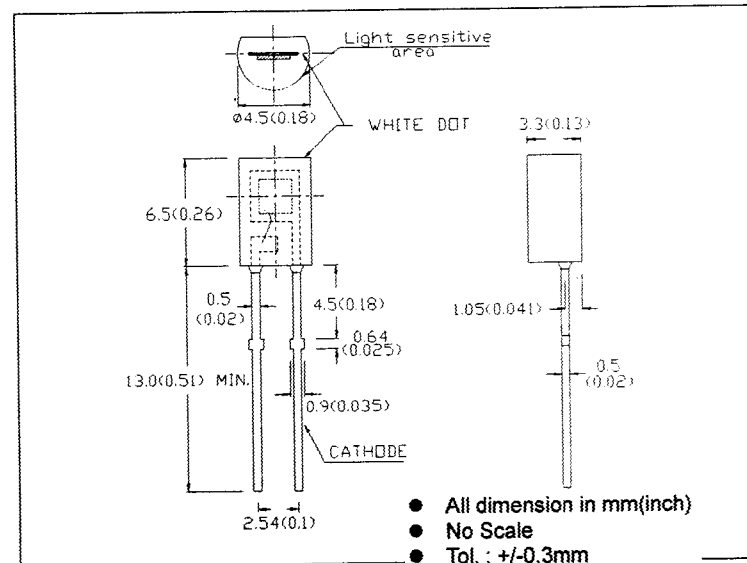


# MICRO ELECTRONICS

PIN  
PHOTO  
DIODE

## DESCRIPTION

ML308 is a side on type PIN photodiode with inherent visible light rejective filter epoxy encapsulation. It features high sensitivity and small junction capacitance make it possible to operate at high frequency application. this device is most suitable for remote controls of TVs, audio sets, air-conditioners cine projectors and so on.



## ABSOLUTE MAXIMUM RATINGS

Power Dissipation @  $T_a=25^\circ\text{C}$   
 Operating & Storage Temperature Range  
 Lead Soldering Temperature (1/16" from body)

150mW  
 -30 to +80°C  
 260°C for 5 sec.

## ELECTRO-OPTICAL CHARACTERISTICS ( $T_a=25^\circ\text{C}$ )

PARAMETER	SYMBOL	MIN	TYP	MAX	UNIT	CONDITIONS
Dark Current	ID		5	30	nA	VR=10V Ee=0
Reverse Voltage	VBR	30	170		V	IR=100μA
Junction Capacitance	Cj		25	40	pF	VR=3V Ee=0 f=1MHz
Open Circuit Voltage	Voc		350		mV	Ee=1mW/cm <sup>2</sup> λ=950nm VR=5V
Light Current	IL	25	45		μA	Ee=1mW/cm <sup>2</sup> λ=950nm VR=5V
Turn-On Time	Ton		50		nS	VR=10V RL=1KΩ
Turn-Off Time	Toff		50		nS	VR=10V RL=1KΩ
Peak Wavelength	λp		925		nm	VR=5V
Photo Sensistive Area	A		8.06		mm <sup>2</sup>	

\* The illumination source is a GaAs LED emitting at 950nm.

Rev A

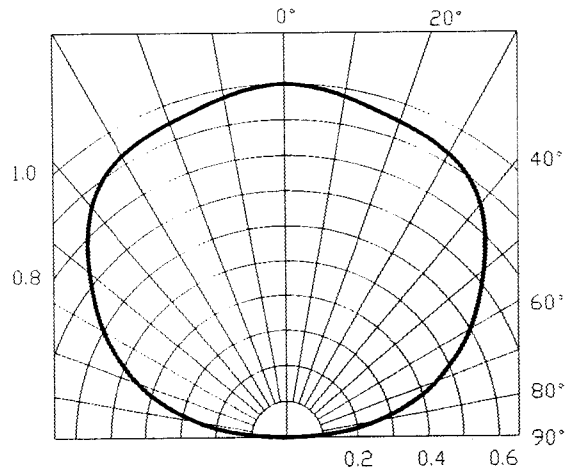


MICRO ELECTRONICS LTD.

38, Hung To Road, Microtron Building, Kwun Tong, Kowloon, Hong Kong.

Kwun Tong P.O. Box 69477 Hong Kong. Fax No. 2341 0321 Telex:43510 Micro Hx. Tel: 2343

# ML308



SPATIAL DISTRIBUTION

