

---

# ML610Q411/Q412

---

8-bit Microcontroller with a Built-in LCD driver

---

## GENERAL DESCRIPTION

ML610Q411/Q412 is a high-performance 8-bit CMOS microcontroller into which rich peripheral circuits, such as synchronous serial port, UART, I<sup>2</sup>C bus interface (master), buzzer driver, battery level detect circuit, RC oscillation type A/D converter, 12-bit successive approximation type A/D converter, and LCD driver, are incorporated around LAPIS Semiconductor -original 8-bit CPU nX-U8/100.

The CPU nX-U8/100 is capable of efficient instruction execution in 1-instruction 1-clock mode by 3-stage pipe line architecture parallel processing. The Flash ROM that is installed as program memory achieves low-voltage low-power consumption operation (read operation) equivalent to mask ROM and is most suitable for battery-driven applications. The on-chip debug function that is installed enables program debugging and programming.

M L610Q411/Q412 has a dual clock, runs at 32.768kHz crystal oscillation clock or a built-in 500kHz RC oscillation clock, used for a system requires the accurate clock or timer.

## FEATURES

- CPU
  - 8-bit RISC CPU (CPU name: nX-U8/100)
  - Instruction system: 16-bit instructions
  - Instruction set: Transfer, arithmetic operations, comparison, logic operations, multiplication/division, bit manipulations, bit logic operations, jump, conditional jump, call return stack manipulations, arithmetic shift, and so on
  - On-Chip debug function
  - Minimum instruction execution time
    - 30.5 μs (@32.768 kHz system clock)
    - 2μs (@500kHz system clock)
- Internal memory
  - Internal 16KByte Flash ROM (8K×16 bits) (including unusable 1KByte TEST area)
  - Internal 1KByte Data RAM (1024×8 bits)
- Interrupt controller
  - 2 non-maskable interrupt sources
    - Internal source: 1 (Watch dog timer)
    - External source: 1 (NMI)
  - 19 maskable interrupt sources
    - Internal sources: 15 (SSIO, SA-A/D converter, I2C, Timer0, Timer1, Timer2, Timer3, 1kHz timer, UART, RC-A/D converter, PWM, TBC128Hz, TBC32Hz, TBC16Hz, TBC2Hz)
    - External sources: 4 (P00, P01, P02, P03)
- Time base counter
  - Low-speed time base counter ×1 channel
    - Frequency compensation (Compensation range: Approx. –488ppm to +488ppm. Compensation accuracy: Approx. 0.48ppm)
  - High-speed time base counter ×1 channel



- Watchdog timer
  - Non-maskable interrupt and reset
  - Free running
  - Overflow period: 4 types selectable (125ms, 500ms, 2s, and 8s)
- Timers
  - 8 bits × 4 channels (Timer0-3: 16-bit x 2 configuration available by using Timer0-1 or Timer2-3)
  - Clock frequency measurement mode (in one channel of 16-bit configuration using Timer2-3)
- 1 kHz timer
  - 10 Hz/1 Hz interrupt function
- Capture
  - Time base capture × 2 channels (4096 Hz to 32 Hz)
- PWM
  - Resolution 16 bits × 1 channel
- Synchronous serial port
  - Master/slave selectable
  - LSB first/MSB first selectable
  - 8-bit length/16-bit length selectable
- UART
  - TXD/RXD × 1 channel
  - Bit length, parity/no parity, odd parity/even parity, 1 stop bit/2 stop bits
  - Positive logic/negative logic selectable
  - Built-in baud rate generator
- I<sup>2</sup>C bus interface
  - Master function only
  - Standard mode (50kbps)
- Buzzer driver
  - 4 output modes, 8 frequencies, 16 duty levels
- RC oscillation type A/D converter
  - 24-bit counter
  - Time division × 2 channels
- Successive approximation type A/D converter
  - 12-bit A/D converter
  - Input × 2 channels
  - Conversion time: 46us/1ch@500kHz
- General-purpose ports
  - Non-maskable interrupt input port × 1 channel
  - Input-only port × 6 channels (including secondary functions)
  - Output-only port × 3 channels (including secondary functions)
  - Input/output port
    - ML610Q411: 22 channels (including secondary functions)
    - ML610Q412: 14 channels (including secondary functions)
- LCD driver
  - The number of segments
    - ML610Q411: 144 dots max. (36 seg × 4 com)
    - ML610Q412: 176 dots max. (44 seg × 4 com)
  - 1/1 to 1/4 duty
  - 1/3 bias (built-in bias generation circuit)

- 
- Frame frequency selectable (approx. 64 Hz, 73 Hz, 85 Hz, and 102 Hz)
  - Bias voltage multiplying clock selectable (8 types)
  - Contrast adjustment (32 steps)
  - LCD drive stop mode, LCD display mode, all LCDs on mode, and all LCDs off mode selectable
  
  - Reset
    - Reset through the RESET\_N pin
    - Power-on reset generation when powered on
    - Reset when oscillation stop of the low-speed clock is detected
    - Reset by the watchdog timer (WDT) overflow
  
  - Battery Level Detector
    - Threshold voltages: One of 16 levels
    - Accuracy:  $\pm 2\%$  (Typ.)
  
  - Clock
    - Low-speed clock: (This LSI can not guarantee the operation without low-speed crystal oscillation clock)  
Crystal oscillation (32.768 kHz)
    - High-speed clock:  
Built-in RC oscillation (500 kHz)  
External clock (500kHz or less)
    - High-speed Clock gear: 1/2(250kHz), 1/4(125kHz), 1/8(62.5kHz: default)
    - Selection of high-speed clock mode by software:  
Built-in RC oscillation, External clock
  
  - Power management
    - HALT mode: Instruction execution by CPU is suspended (peripheral circuits are in operating states).
    - STOP mode: Stop of low-speed oscillation and high-speed oscillation (Operations of CPU and peripheral circuits are stopped.)
    - High-speed Clock gear: The frequency of high-speed system clock can be changed by software (1/1, 1/2, 1/4, 1/8 of the oscillation clock)
    - Block Control Function: Resets and completely turns circuits of unused peripherals off.
  
  - Guaranteed operating range
    - Operating temperature:  $-20^{\circ}\text{C}$  to  $+70^{\circ}\text{C}$  (P version:  $-40^{\circ}\text{C}$  to  $+85^{\circ}\text{C}$ )
    - Operating voltage:  $V_{\text{DD}} = 1.1\text{V}$  to  $3.6\text{V}$ ,  $AV_{\text{DD}} = 2.2\text{V}$  to  $3.6\text{V}$

• Product name – Supported Function

The line-up of the ML610Q411 and the ML610Q412 is below.

- Chip (Die) -	ROM type	Low-speed oscillation stop detect reset	Operating temperature	Product availability
ML610Q411-xxxWA	Flash ROM	Yes	-20°C to +70°C	Yes
ML610Q411P-xxxWA	Flash ROM	Yes	-40°C to +85°C	Yes
ML610Q411PA-xxxWA	Flash ROM	Selectable to disable always	-40°C to +85°C	Yes
ML610Q412-xxxWA	Flash ROM	Yes	-20°C to +70°C	Yes
ML610Q412P-xxxWA	Flash ROM	Yes	-40°C to +85°C	Yes

-120-pin plastic TQFP -	ROM type	Low-speed oscillation stop detect reset	Operating temperature	Product availability
ML610Q411-xxxTB	Flash ROM	Yes	-20°C to +70°C	Yes
ML610Q411P-xxxTB	Flash ROM	Yes	-40°C to +85°C	Yes
ML610Q411PA-xxxTB	Flash ROM	Selectable to disable always	-40°C to +85°C	Yes
ML610Q412-xxxTB	Flash ROM	Yes	-20°C to +70°C	Yes
ML610Q412P-xxxTB	Flash ROM	Yes	-40°C to +85°C	Yes

xxx:ROM code number (xxx of the blank product is NNN)

Q:Flash ROM version

P:Wide range temperature version

A: Low-speed clock oscillation stop detection reset is selectable to disable always (See chapter3 and chapter4 in the user's manual for more detail).

WA:Chip (Die)

TB:TQFP

**BLOCK DIAGRAM**  
ML610Q411 Block Diagram

Figure 1 show the block diagram of the ML610Q411.  
"\*" indicates the secondary function of each port.

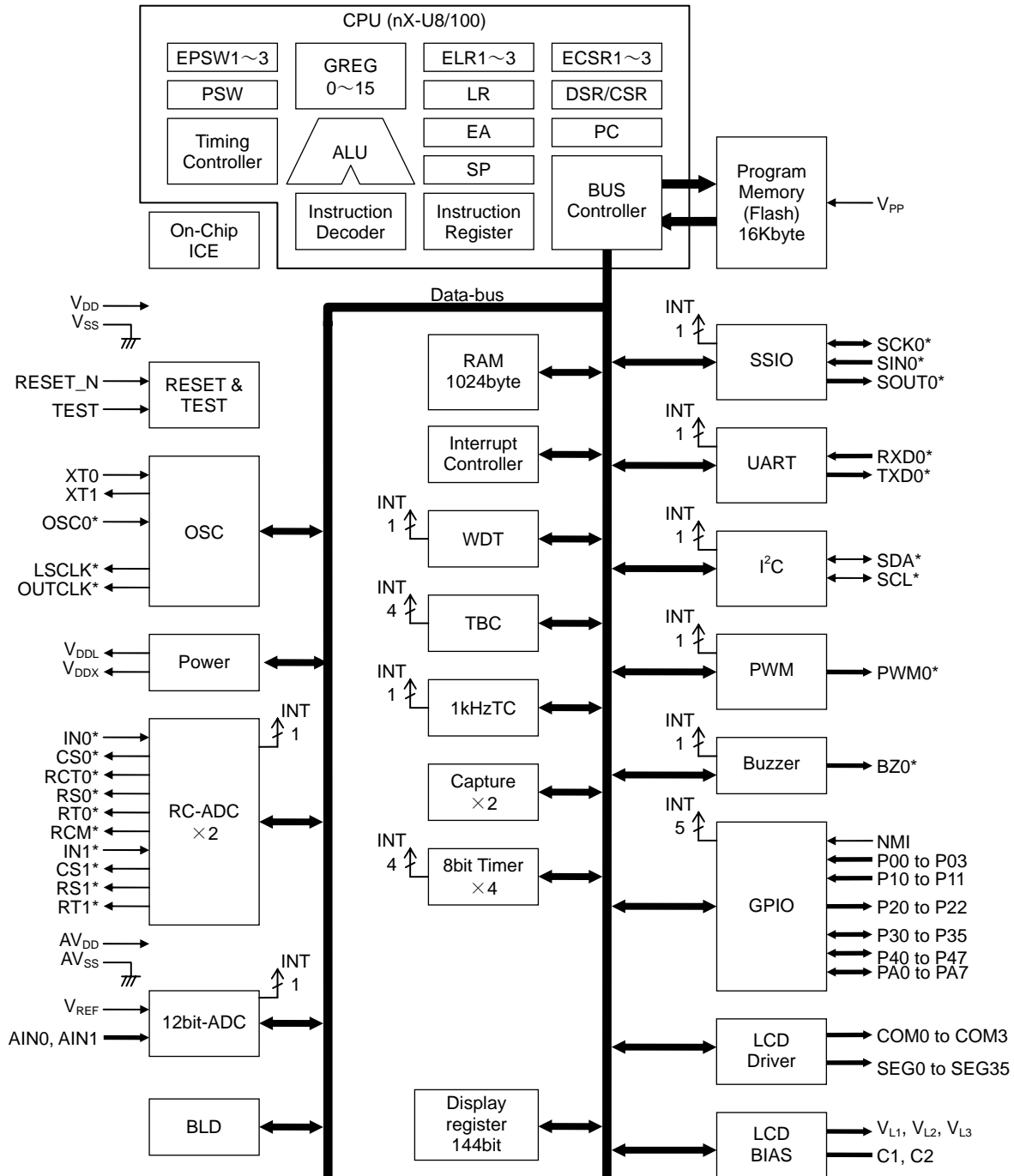


Figure 1 ML610Q411 Block Diagram

ML610Q412 Block Diagram

Figure 2 show the block diagram of the ML610Q412.  
 "\*" indicates the secondary function of each port.

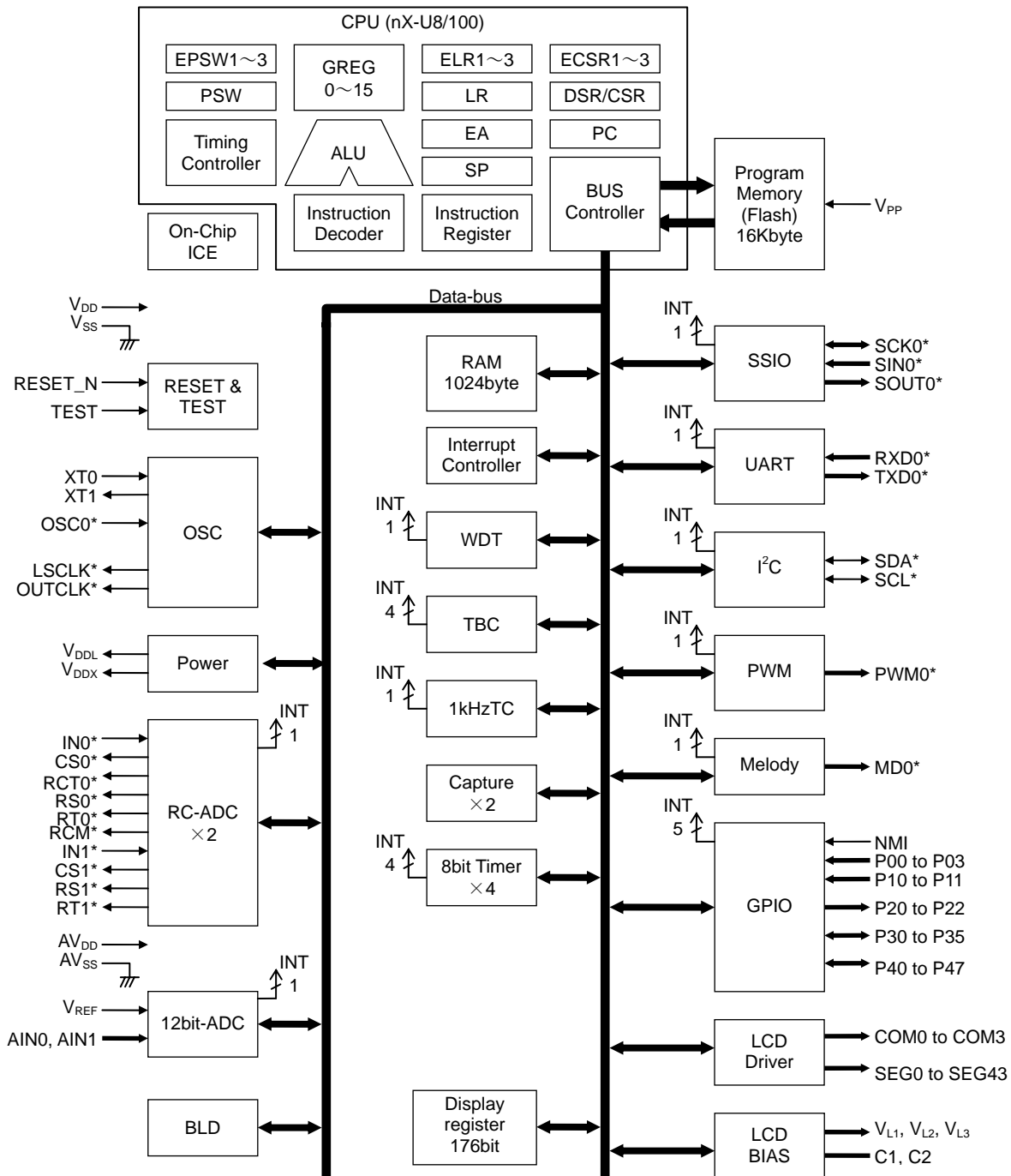
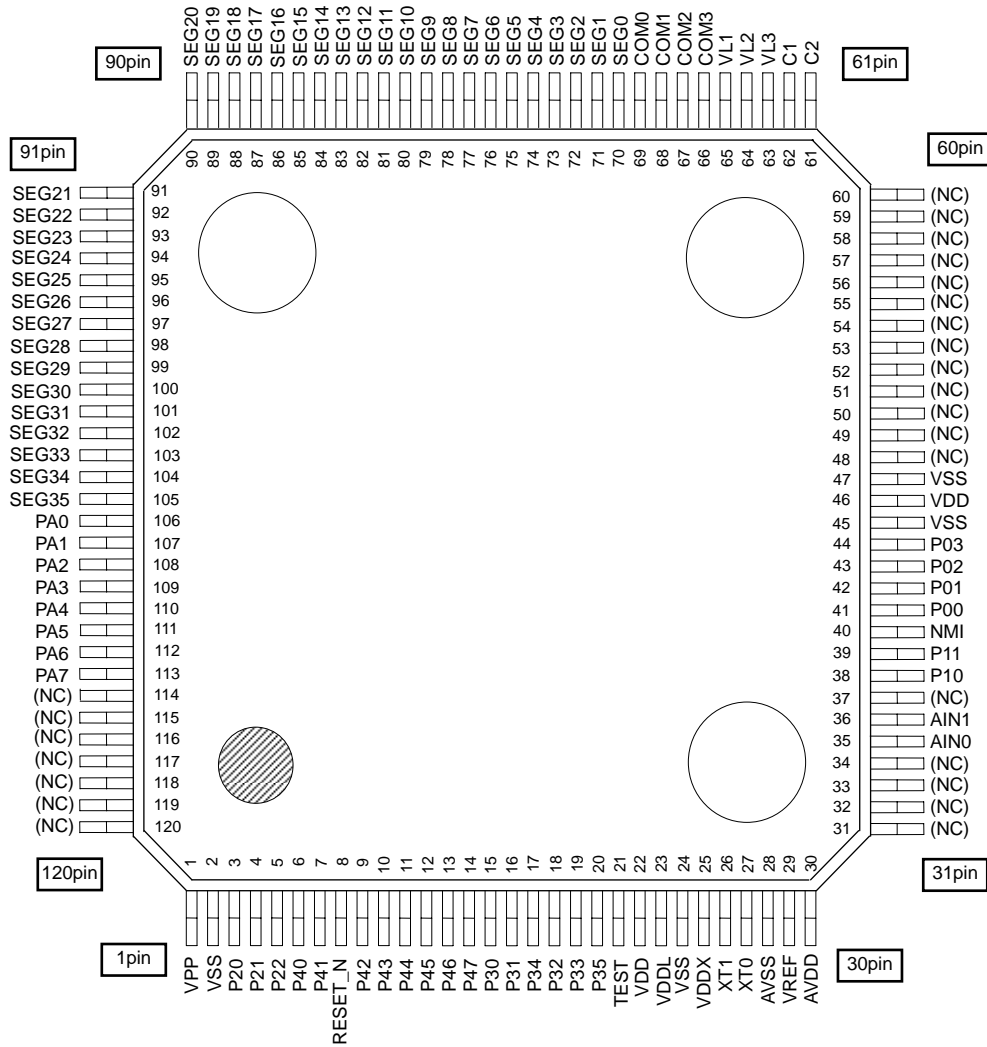


Figure 2 ML610Q412 Block Diagram

**PIN CONFIGURATION**

**ML610Q411 TQFP120 Pin Layout**



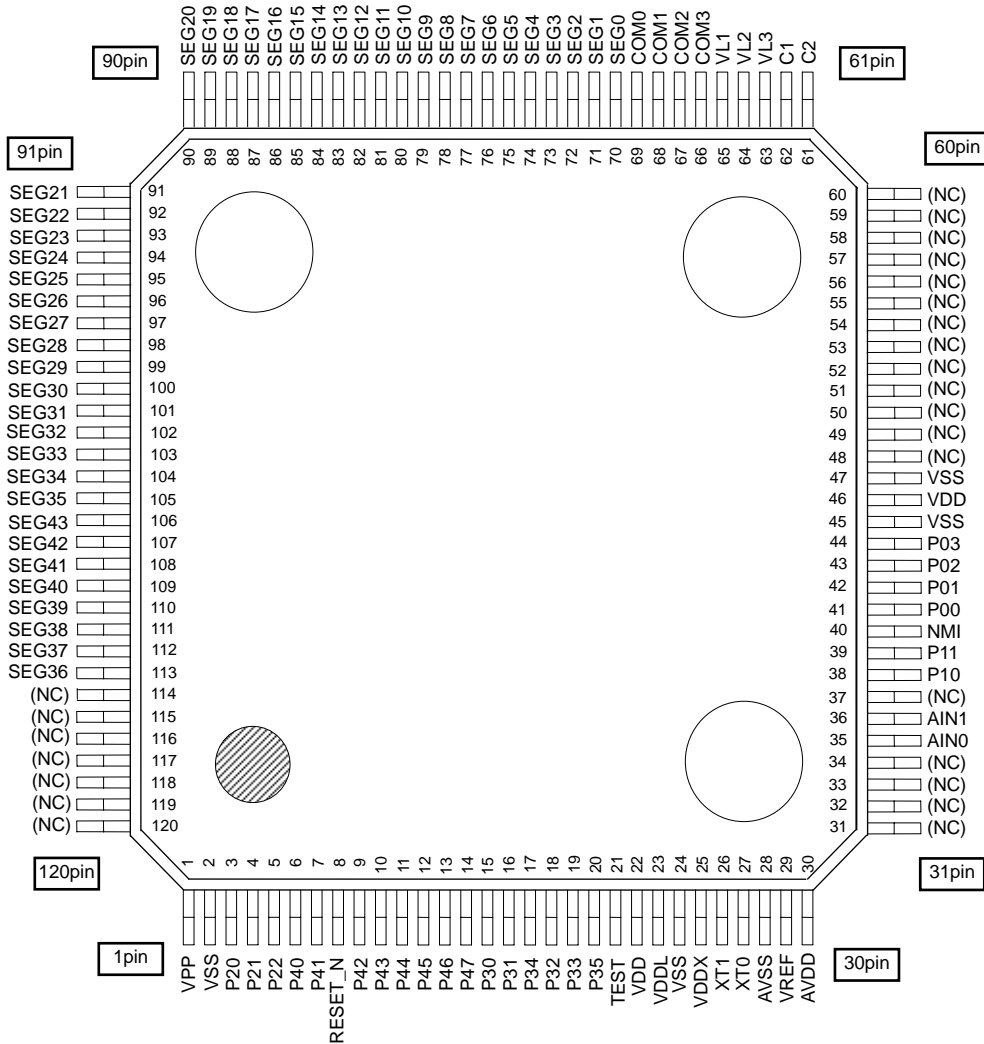
(NC): No Connection

Note:

The assignment of the P30 to P35 are not in order.

**Figure 3 ML610Q411 TQFP120 Pin Configuration**

ML610Q412 TQFP120 Pin Layout



(NC): No Connection

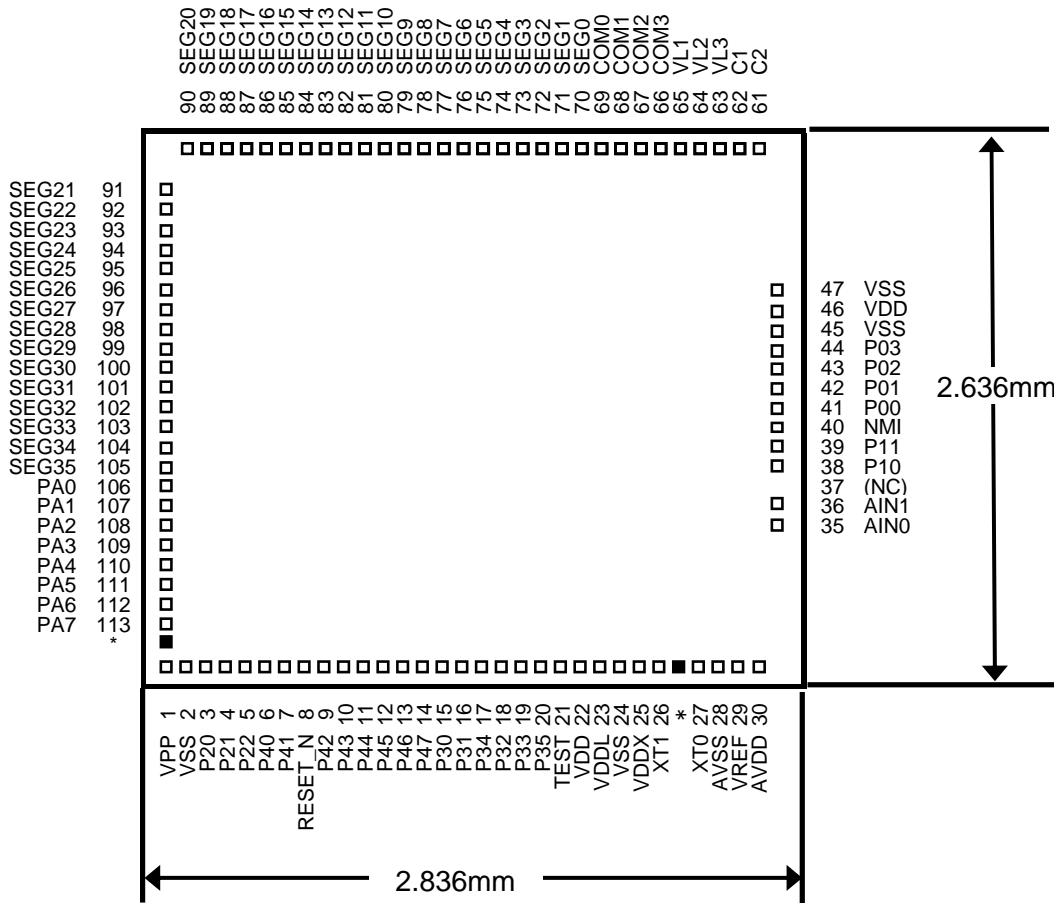
Note:

The assignment of the P30 to P35 are not in order.

Figure 4 ML610Q412 TQFP120 Pin Configuration



ML610Q411 Chip Pin Layout & Dimension



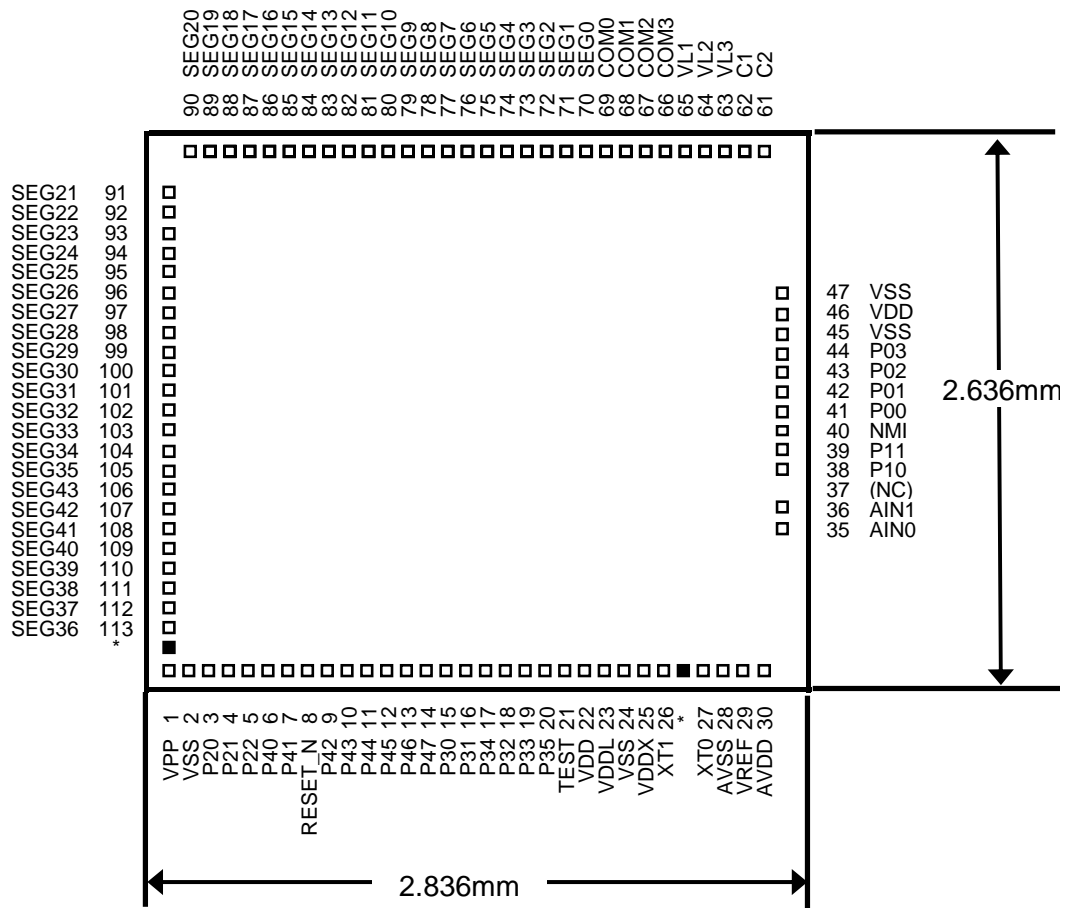
\* Dummy pad

Note: These dummy pads are visible and do not have any function, they are placed for a mechanical evaluation in LAPIS Semiconductor. Please do NOT implement wire-bonding to the dummy pad.

Chip size:	2.836mm x 2.636mm
PAD count:	95 pins
Minimum PAD pitch:	80 μm
PAD aperture:	70 μm × 70 μm
Chip thickness:	350 μm
Voltage of the rear side of chip:	V <sub>SS</sub> level

Figure 5 ML610Q411 Chip Layout & Dimension

ML610Q412 Chip Pin Layout & Dimension



\* Dummy pad

Note: These dummy pads are visible and do not have any function, they are placed for a mechanical evaluation in LAPIS Semiconductor. Please do NOT implement wire-bonding to the dummy pad.

Chip size:	2.836mm x 2.636mm
PAD count:	95 pins
Minimum PAD pitch:	80 μm
PAD aperture:	70 μm × 70 μm
Chip thickness:	350 μm
Voltage of the rear side of chip:	V <sub>SS</sub> level

Figure 6 ML610Q412 Chip Layout & Dimension

## ML610Q411 Pad Coordinates

Table 1 ML610Q411 Pad Coordinates

Chip Center: X=0,Y=0

PAD No.	Pad Name	X (μm)	Y (μm)	PAD No.	Pad Name	X (μm)	Y (μm)	PAD No.	Pad Name	X (μm)	Y (μm)
1	VPP	-1230	-1212	51	(NC)	-	-	101	SEG31	-1312	160
2	VSS	-1150	-1212	52	(NC)	-	-	102	SEG32	-1312	80
3	P20	-1070	-1212	53	(NC)	-	-	103	SEG33	-1312	0
4	P21	-990	-1212	54	(NC)	-	-	104	SEG34	-1312	-80
5	P22	-910	-1212	55	(NC)	-	-	105	SEG35	-1312	-160
6	P40	-830	-1212	56	(NC)	-	-	106	PA0	-1312	-240
7	P41	-750	-1212	57	(NC)	-	-	107	PA1	-1312	-320
8	RESET_N	-670	-1212	58	(NC)	-	-	108	PA2	-1312	-400
9	P42	-590	-1212	59	(NC)	-	-	109	PA3	-1312	-480
10	P43	-510	-1212	60	(NC)	-	-	110	PA4	-1312	-560
11	P44	-430	-1212	61	C2	1220	1212	111	PA5	-1312	-640
12	P45	-350	-1212	62	C1	1140	1212	112	PA6	-1312	-720
13	P46	-270	-1212	63	VL3	1060	1212	113	PA7	-1312	-800
14	P47	-190	-1212	64	VL2	980	1212	--	Dummy	-1312	-908
15	P30	-110	-1212	65	VL1	900	1212				
16	P31	-30	-1212	66	COM3	820	1212				
17	P34	50	-1212	67	COM2	740	1212				
18	P32	130	-1212	68	COM1	660	1212				
19	P33	210	-1212	69	COM0	580	1212				
20	P35	290	-1212	70	SEG0	500	1212				
21	TEST	370	-1212	71	SEG1	420	1212				
22	VDD	450	-1212	72	SEG2	340	1212				
23	VDDL	530	-1212	73	SEG3	260	1212				
24	VSS	610	-1212	74	SEG4	180	1212				
25	VDDX	690	-1212	75	SEG5	100	1212				
26	XT1	770	-1212	76	SEG6	20	1212				
-	Dummy	850	-1212	77	SEG7	-60	1212				
27	XT0	930	-1212	78	SEG8	-140	1212				
28	AVSS	1030	-1212	79	SEG9	-220	1212				
29	VREF	1110	-1212	80	SEG10	-300	1212				
30	AVDD	1190	-1212	81	SEG11	-380	1212				
31	(NC)	-	-	82	SEG12	-460	1212				
32	(NC)	-	-	83	SEG13	-540	1212				
33	(NC)	-	-	84	SEG14	-620	1212				
34	(NC)	-	-	85	SEG15	-700	1212				
35	A IN0	1312	-522	86	SEG16	-780	1212				
36	A IN1	1312	-350	87	SEG17	-860	1212				
37	(NC)	-	-	88	SEG18	-940	1212				
38	P10	1312	-210	89	SEG19	-1020	1212				
39	P11	1312	-130	90	SEG20	-1100	1212				
40	NMI	1312	-50	91	SEG21	-1312	960				
41	P00	1312	30	92	SEG22	-1312	880				
42	P01	1312	110	93	SEG23	-1312	800				
43	P02	1312	190	94	SEG24	-1312	720				
44	P03	1312	270	95	SEG25	-1312	640				
45	VSS	1312	350	96	SEG26	-1312	560				
46	VDD	1312	430	97	SEG27	-1312	480				
47	VSS	1312	510	98	SEG28	-1312	400				
48	(NC)	-	-	99	SEG29	-1312	320				
49	(NC)	-	-	100	SEG30	-1312	240				
50	(NC)	-	-								

## ML610Q412 Pad Coordinates

Table 2 ML610Q412 Pad Coordinates

Chip Center: X=0,Y=0

PAD No.	Pad Name	X (μm)	Y (μm)	PAD No.	Pad Name	X (μm)	Y (μm)	PAD No.	Pad Name	X (μm)	Y (μm)
1	VPP	-1230	-1212	51	(NC)	-	-	101	SEG31	-1312	160
2	VSS	-1150	-1212	52	(NC)	-	-	102	SEG32	-1312	80
3	P20	-1070	-1212	53	(NC)	-	-	103	SEG33	-1312	0
4	P21	-990	-1212	54	(NC)	-	-	104	SEG34	-1312	-80
5	P22	-910	-1212	55	(NC)	-	-	105	SEG35	-1312	-160
6	P40	-830	-1212	56	(NC)	-	-	106	SEG43	-1312	-240
7	P41	-750	-1212	57	(NC)	-	-	107	SEG42	-1312	-320
8	RESET_N	-670	-1212	58	(NC)	-	-	108	SEG41	-1312	-400
9	P42	-590	-1212	59	(NC)	-	-	109	SEG40	-1312	-480
10	P43	-510	-1212	60	(NC)	-	-	110	SEG39	-1312	-560
11	P44	-430	-1212	61	C2	1220	1212	111	SEG38	-1312	-640
12	P45	-350	-1212	62	C1	1140	1212	112	SEG37	-1312	-720
13	P46	-270	-1212	63	VL3	1060	1212	113	SEG36	-1312	-800
14	P47	-190	-1212	64	VL2	980	1212	-	Dummy	-1312	-908
15	P30	-110	-1212	65	VL1	900	1212				
16	P31	-30	-1212	66	COM3	820	1212				
17	P34	50	-1212	67	COM2	740	1212				
18	P32	130	-1212	68	COM1	660	1212				
19	P33	210	-1212	69	COM0	580	1212				
20	P35	290	-1212	70	SEG0	500	1212				
21	TEST	370	-1212	71	SEG1	420	1212				
22	VDD	450	-1212	72	SEG2	340	1212				
23	VDDL	530	-1212	73	SEG3	260	1212				
24	VSS	610	-1212	74	SEG4	180	1212				
25	VDDX	690	-1212	75	SEG5	100	1212				
26	XT1	770	-1212	76	SEG6	20	1212				
-	Dummy	850	-1212	77	SEG7	-60	1212				
27	XT0	930	-1212	78	SEG8	-140	1212				
28	AVSS	1030	-1212	79	SEG9	-220	1212				
29	VREF	1110	-1212	80	SEG10	-300	1212				
30	AVDD	1190	-1212	81	SEG11	-380	1212				
31	(NC)	-	-	82	SEG12	-460	1212				
32	(NC)	-	-	83	SEG13	-540	1212				
33	(NC)	-	-	84	SEG14	-620	1212				
34	(NC)	-	-	85	SEG15	-700	1212				
35	AIN0	1312	-522	86	SEG16	-780	1212				
36	AIN1	1312	-350	87	SEG17	-860	1212				
37	(NC)	-	-	88	SEG18	-940	1212				
38	P10	1312	-210	89	SEG19	-1020	1212				
39	P11	1312	-130	90	SEG20	-1100	1212				
40	NMI	1312	-50	91	SEG21	-1312	960				
41	P00	1312	30	92	SEG22	-1312	880				
42	P01	1312	110	93	SEG23	-1312	800				
43	P02	1312	190	94	SEG24	-1312	720				
44	P03	1312	270	95	SEG25	-1312	640				
45	VSS	1312	350	96	SEG26	-1312	560				
46	VDD	1312	430	97	SEG27	-1312	480				
47	VSS	1312	510	98	SEG28	-1312	400				
48	(NC)	-	-	99	SEG29	-1312	320				
49	(NC)	-	-	100	SEG30	-1312	240				
50	(NC)	-	-								

## PIN LIST

PAD No.	Primary function			Secondary function			Tertiary function		
	Pin name	I/O	Function	Pin name	I/O	Function	Pin name	I/O	Function
2, 24,45,47	V <sub>SS</sub>	—	Negative power supply pin	—	—	—	—	—	—
22, 46	V <sub>DD</sub>	—	Positive power supply pin	—	—	—	—	—	—
23	V <sub>DDL</sub>	—	Power supply pin for internal logic (internally generated)	—	—	—	—	—	—
25	V <sub>DDX</sub>	—	Power supply pin for low-speed oscillation (internally generated)	—	—	—	—	—	—
1	V <sub>PP</sub>	—	Power supply pin for Flash ROM	—	—	—	—	—	—
28	AV <sub>SS</sub>	—	Negative power supply pin for successive approximation type ADC	—	—	—	—	—	—
30	AV <sub>DD</sub>	—	Positive power supply pin for successive approximation type ADC	—	—	—	—	—	—
65	V <sub>L1</sub>	—	Power supply pin for LCD bias (internally generated)	—	—	—	—	—	—
64	V <sub>L2</sub>	—	Power supply pin for LCD bias (internally generated)	—	—	—	—	—	—
63	V <sub>L3</sub>	—	Power supply pin for LCD bias (internally generated)	—	—	—	—	—	—
62	C1	—	Capacitor connection pin for LCD bias generation	—	—	—	—	—	—
61	C2	—	Capacitor connection pin for LCD bias generation	—	—	—	—	—	—
21	TEST	I/O	Input/output pin for testing	—	—	—	—	—	—
8	RESET_N	I	Reset input pin	—	—	—	—	—	—
27	XT0	I	Low-speed clock oscillation pin	—	—	—	—	—	—
26	XT1	O	Low-speed clock oscillation pin	—	—	—	—	—	—
29	V <sub>REF</sub>	—	Reference power supply pin for successive approximation type ADC	—	—	—	—	—	—

PAD No.	Primary function			Secondary function			Tertiary function		
	Pin name	I/O	Function	Pin name	I/O	Function	Pin name	I/O	Function
35	AIN0	I	Successive approximation type ADC input	—	—	—	—	—	—
36	AIN1	I	Successive approximation type ADC input	—	—	—	—	—	—
40	NMI	I	Non-maskable interrupt pin	—	—	—	—	—	—
41	P00/EXI0/ CAP0	I	Input port, External interrupt 0, Capture 0 input	—	—	—	—	—	—
42	P01/EXI1/ CAP1	I	Input port, External interrupt 1, Capture 1 input	—	—	—	—	—	—
43	P02/EXI2/ RXD0	I	Input port, External interrupt 2, UART0 receive	—	—	—	—	—	—
44	P03/EXI3	I	Input port, External interrupt 3	—	—	—	—	—	—
38	P10 OSC0	I	Input port External clock input	—	—	—	—	—	—
39	P11	I	Input port	—	—	—	—	—	—
3	P20/LED0	O	Output port	LSCLK	O	Low-speed clock output	—	—	—
4	P21/LED1	O	Output port	OUTCLK	O	High-speed clock output	—	—	—
5	P22/LED2	O	Output port	MD0	O	Melody output	—	—	—
15	P30	I/O	Input/output port	IN0	I	RC type ADC0 oscillation input pin	—	—	—
16	P31	I/O	Input/output port	CS0	O	RC type ADC0 reference capacitor connection pin	—	—	—
17	P34	I/O	Input/output port	RCT0	O	RC type ADC0 resistor/capacitor sensor connection pin	PWM0	O	PWM output
18	P32	I/O	Input/output port	RS0	O	RC type ADC0 reference resistor connection pin	—	—	—
19	P33	I/O	Input/output port	RT0	O	RC type ADC0 resistor sensor connection pin	—	—	—
20	P35	I/O	Input/output port	RCM	O	RC type ADC oscillation monitor	—	—	—
6	P40	I/O	Input/output port	SDA	I/O	I <sup>2</sup> C data input/output	SIN0	I	SSIO data input
7	P41	I/O	Input/output port	SCL	I/O	I <sup>2</sup> C clock input/output	SCK0	I/O	SSIO synchronous clock
9	P42	I/O	Input/output port	RXD0	I	UART data input	SOUT0	I	SSIO data output
10	P43	I/O	Input/output port	TXD0	O	UART data output	PWM0	O	PWM output
11	P44/T02P0 CK	I/O	Input/output port, Timer 0/Timer 2/PWM0 external clock input	IN1	I	RC type ADC1 oscillation input pin	SIN0	I	SSIO0 data input
12	P45/T13P1 CK	I/O	Input/output port, Timer 1/Timer 3 external clock input	CS1	O	RC type ADC1 reference capacitor connection pin	SCK0	I/O	SSIO0 synchronous clock
13	P46	I/O	Input/output port	RS1	O	RC type ADC1 reference resistor connection pin	SOUT0	O	SSIO0 data output
14	P47	I/O	Input/output port	RT1	O	RC type ADC1 resistor sensor connection pin	—	—	—
106	PA0(*1)	I/O	Input/output port	—	—	—	—	—	—
	SEG43(*2)	O	LCD segment pin	—	—	—	—	—	—
107	PA1(*1)	I/O	Input/output port	—	—	—	—	—	—
	SEG42(*2)	O	LCD segment pin	—	—	—	—	—	—
108	PA2(*1)	I/O	Input/output port	—	—	—	—	—	—
	SEG41(*2)	O	LCD segment pin	—	—	—	—	—	—
109	PA3(*1)	I/O	Input/output port	—	—	—	—	—	—
	SEG40(*2)	O	LCD segment pin	—	—	—	—	—	—

PAD No.	Primary function			Secondary function			Tertiary function		
	Pin name	I/O	Function	Pin name	I/O	Function	Pin name	I/O	Function
110	PA4 <sup>(*1)</sup>	I/O	Input/output port	—	—	—	—	—	—
	SEG39 <sup>(*2)</sup>	O	LCD segment pin	—	—	—	—	—	—
111	PA5 <sup>(*1)</sup>	I/O	Input/output port	—	—	—	—	—	—
	SEG38 <sup>(*2)</sup>	O	LCD segment pin	—	—	—	—	—	—
112	PA6 <sup>(*1)</sup>	I/O	Input/output port	—	—	—	—	—	—
	SEG37 <sup>(*2)</sup>	O	LCD segment pin	—	—	—	—	—	—
113	PA7 <sup>(*1)</sup>	I/O	Input/output port	—	—	—	—	—	—
	SEG36 <sup>(*2)</sup>	O	LCD segment pin	—	—	—	—	—	—
69	COM0	O	LCD common pin	—	—	—	—	—	—
68	COM1	O	LCD common pin	—	—	—	—	—	—
67	COM2	O	LCD common pin	—	—	—	—	—	—
66	COM3	O	LCD common pin	—	—	—	—	—	—
70	SEG0	O	LCD segment pin	—	—	—	—	—	—
71	SEG1	O	LCD segment pin	—	—	—	—	—	—
72	SEG2	O	LCD segment pin	—	—	—	—	—	—
73	SEG3	O	LCD segment pin	—	—	—	—	—	—
74	SEG4	O	LCD segment pin	—	—	—	—	—	—
75	SEG5	O	LCD segment pin	—	—	—	—	—	—
76	SEG6	O	LCD segment pin	—	—	—	—	—	—
77	SEG7	O	LCD segment pin	—	—	—	—	—	—
78	SEG8	O	LCD segment pin	—	—	—	—	—	—
79	SEG9	O	LCD segment pin	—	—	—	—	—	—
80	SEG10	O	LCD segment pin	—	—	—	—	—	—
81	SEG11	O	LCD segment pin	—	—	—	—	—	—
82	SEG12	O	LCD segment pin	—	—	—	—	—	—
83	SEG13	O	LCD segment pin	—	—	—	—	—	—
84	SEG14	O	LCD segment pin	—	—	—	—	—	—
85	SEG15	O	LCD segment pin	—	—	—	—	—	—
86	SEG16	O	LCD segment pin	—	—	—	—	—	—
87	SEG17	O	LCD segment pin	—	—	—	—	—	—
88	SEG18	O	LCD segment pin	—	—	—	—	—	—
89	SEG19	O	LCD segment pin	—	—	—	—	—	—
90	SEG20	O	LCD segment pin	—	—	—	—	—	—
91	SEG21	O	LCD segment pin	—	—	—	—	—	—
92	SEG22	O	LCD segment pin	—	—	—	—	—	—
93	SEG23	O	LCD segment pin	—	—	—	—	—	—
94	SEG24	O	LCD segment pin	—	—	—	—	—	—
95	SEG25	O	LCD segment pin	—	—	—	—	—	—
96	SEG26	O	LCD segment pin	—	—	—	—	—	—
97	SEG27	O	LCD segment pin	—	—	—	—	—	—
98	SEG28	O	LCD segment pin	—	—	—	—	—	—
99	SEG29	O	LCD segment pin	—	—	—	—	—	—
100	SEG30	O	LCD segment pin	—	—	—	—	—	—
101	SEG31	O	LCD segment pin	—	—	—	—	—	—
102	SEG32	O	LCD segment pin	—	—	—	—	—	—
103	SEG33	O	LCD segment pin	—	—	—	—	—	—
104	SEG34	O	LCD segment pin	—	—	—	—	—	—
105	SEG35	O	LCD segment pin	—	—	—	—	—	—

(<sup>\*1</sup>) Pins on ML610Q411.

(<sup>\*2</sup>) Pins on ML610Q412.

## PIN DESCRIPTION

Pin name	I/O	Description	Primary/ Secondary/ Tertiary	Logic
<b>System</b>				
RESET_N	I	Reset input pin. When this pin is set to a "L" level, system reset mode is set and the internal section is initialized. When this pin is set to a "H" level subsequently, program execution starts. A pull-up resistor is internally connected.	—	Negative
XT0	I	Crystal connection pin for low-speed clock.	—	—
XT1	O	A 32.768 kHz crystal oscillator (see measuring circuit 1) is connected to this pin. Capacitors CDL and CGL are connected across this pin and V <sub>SS</sub> as required.	—	—
OSC0	I	High-speed external clock input pin. This pin is used as the secondary function of the P10.	Secondary	—
LSCLK	O	Low-speed clock output pin. This pin is used as the secondary function of the P20 pin.	Secondary	—
OUTCLK	O	High-speed clock output pin. This pin is used as the secondary function of the P21 pin.	Secondary	—
<b>General-purpose input port</b>				
P00-P03	I	General-purpose input port. Since these pins have secondary functions, the pins cannot be used as a port when the secondary functions are used.	Primary	Positive
P10-P11	I	General-purpose input port. Since these pins have secondary functions, the pins cannot be used as a port when the secondary functions are used.	Primary	Positive
<b>General-purpose output port</b>				
P20-P22	O	General-purpose output port. Since these pins have secondary functions, the pins cannot be used as a port when the secondary functions are used.	Primary	Positive
<b>General-purpose input/output port</b>				
P30-P35	I/O	General-purpose input/output port. Since these pins have secondary functions, the pins cannot be used as a port when the secondary functions are used.	Primary	Positive
P40-P47	I/O	General-purpose input/output port. Since these pins have secondary functions, the pins cannot be used as a port when the secondary functions are used.	Primary	Positive
PA0-PA7	I/O	General-purpose input/output port. These pins are for the ML610Q411, but are not provided in the ML610Q412.	Primary	Positive



Pin name	I/O	Description	Primary/ Secondary/ Tertiary	Logic
<b>UART</b>				
TXD0	O	UART data output pin. This pin is used as the secondary function of the P43 pin.	Secondary	Positive
RXD0	I	UART data input pin. This pin is used as the secondary function of the P42 or the primary function of the P02 pin.	Primary/Secondary	Positive
<b>I<sup>2</sup>C bus interface</b>				
SDA	I/O	I <sup>2</sup> C data input/output pin. This pin is used as the secondary function of the P40 pin. This pin has an NMOS open drain output. When using this pin as a function of the I <sup>2</sup> C, externally connect a pull-up resistor.	Secondary	Positive
SCL	O	I <sup>2</sup> C clock output pin. This pin is used as the secondary function of the P41 pin. This pin has an NMOS open drain output. When using this pin as a function of the I <sup>2</sup> C, externally connect a pull-up resistor.	Secondary	Positive
<b>Synchronous serial (SSIO)</b>				
SCK0	I/O	Synchronous serial clock input/output pin. This pin is used as the tertiary function of the P41 or P45 pin.	Tertiary	—
SIN0	I	Synchronous serial data input pin. This pin is used as the tertiary function of the P40 or P44 pin.	Tertiary	Positive
SOUT0	O	Synchronous serial data output pin. This pin is used as the tertiary function of the P42 or P46 pin.	Tertiary	Positive
<b>PWM</b>				
PWM0	O	PWM0 output pin. This pin is used as the tertiary function of the P43 or P34 pin.	Tertiary	Positive
T02P0CK	O	PWM0 external clock input pin. This pin is used as the primary function of the P44 pin.	Primary	—
<b>External interrupt</b>				
NMI	I	External non-maskable interrupt input pin. An interrupt is generated on both edges.	Primary	Positive/negative
EXI0-3	I	External maskable interrupt input pins. Interrupt enable and edge selection can be performed for each bit by software. These pins are used as the primary functions of the P00-P03 pins.	Primary	Positive/negative
<b>Capture</b>				
CAP0	I	Capture trigger input pins. The value of the time base counter is captured in the register synchronously with the interrupt edge selected by software. These pins are used as the primary functions of the P00 pin(CAP0) and P01 pin(CAP1).	Primary	Positive/negative
CAP1	I		Primary	Positive/negative
<b>Timer</b>				
T02P0CK	I	External clock input pin used for both Timer 0 and Timer 2. The clocks for these timers are selected by software. This pin is used as the primary function of the P44 pin.	Primary	—
T13P1CK	I	External clock input pin used for both Timer 1 and Timer 3. The clocks for these timers are selected by software. This pin is used as the primary function of the P45 pin.	Primary	—
<b>Buzzer</b>				
BZ0	O	Buzzer signal output pin. This pin is used as the secondary function of the P22 pin.	Secondary	Positive/negative
<b>LED drive</b>				
LED0-2	O	Nch open drain output pins to drive LED.	Primary	Positive/negative

Pin name	I/O	Description	Primary/ Secondary/ Tertiary	Logic
<b>RC oscillation type A/D converter</b>				
IN0	I	Channel 0 oscillation input pin. This pin is used as the secondary function of the P30 pin.	Secondary	—
CS0	O	Channel 0 reference capacitor connection pin. This pin is used as the secondary function of the P31 pin.	Secondary	—
RCT0	O	Resistor/capacitor sensor connection pin of Channel 0 for measurement. This pin is used as the secondary function of the P33 pin.	Secondary	—
RS0	O	This pin is used as the secondary function of the P32 pin which is the reference resistor connection pin of Channel 0.	Secondary	—
RT0	O	Resistor sensor connection pin of Channel 0 for measurement. This pin is used as the secondary function of the P34 pin.	Secondary	—
RCM	O	RC oscillation monitor pin. This pin is used as the secondary function of the P35 pin.	Secondary	—
IN1	I	Oscillation input pin of Channel 1. This pin is used as the secondary function of the P44 pin.	Secondary	—
CS1	O	Reference capacitor connection pin of Channel 1. This pin is used as the secondary function of the P45 pin.	Secondary	—
RS1	O	Reference resistor connection pin of Channel 1. This pin is used as the secondary function of the P46 pin.	Secondary	—
RT1	O	Resistor sensor connection pin for measurement of Channel 1. This pin is used as the secondary function of the P47 pin.	Secondary	—
<b>Successive approximation type A/D converter</b>				
AV <sub>SS</sub>	—	Negative power supply pin for successive approximation type A/D converter.	—	—
AV <sub>DD</sub>	—	Positive power supply pin for successive approximation type A/D converter.	—	—
V <sub>REF</sub>	—	Reference power supply pin for successive approximation type A/D converter.	—	—
AIN0	I	Channel 0 analog input for successive approximation type A/D converter.	—	—
AIN1	I	Channel 1 analog input for successive approximation type A/D converter.	—	—
<b>LCD drive signal</b>				
COM0-3	O	Common output pins.	—	—
SEG0-35	O	Segment output pins.	—	—
SEG36-43	O	Segment output pin. These pins are for the ML610Q412, but are not provided in the ML610Q411.	—	—
<b>LCD driver power supply</b>				
V <sub>L1</sub>	—	Power supply pins for LCD bias (internally generated). Capacitors Ca, Cb, and Cc (see measuring circuit 1) are connected between V <sub>SS</sub> and V <sub>L1</sub> , V <sub>L2</sub> , and V <sub>L3</sub> , respectively.	—	—
V <sub>L2</sub>	—		—	—
V <sub>L3</sub>	—		—	—
C1	—	Power supply pins for LCD bias (internally generated). Capacitors C12 is connected between C1 and C2.	—	—
C2	—		—	—
<b>For testing</b>				
TEST	I/O	Input/output pin for testing. A pull-down resistor is internally connected.	—	—
<b>Power supply</b>				
V <sub>SS</sub>	—	Negative power supply pin.	—	—
V <sub>DD</sub>	—	Positive power supply pin for I/O, internal regulator, battery low detector, and power-on reset.	—	—
V <sub>DDL</sub>	—	Positive power supply pin (internally generated) for internal logic. Capacitors CL0 and CL1 (see measuring circuit 1) are connected between this pin and V <sub>SS</sub> .	—	—
V <sub>DDX</sub>	—	Positive power supply pin (internally generated) for low-speed oscillation. When using ML610Q411 and ML610Q412, connect capacitor Cx (see measuring circuit 1) between this pin and V <sub>SS</sub> .	—	—
V <sub>PP</sub>	—	Power supply pin for programming Flash ROM. A pull-down resistor is internally connected.	—	—

**TERMINATION OF UNUSED PINS**

Table 3 shows methods of terminating the unused pins.

**Table 3 Termination of Unused Pins**

Pin	Recommended pin termination
V <sub>PP</sub>	Open
AV <sub>DD</sub>	V <sub>SS</sub>
AV <sub>SS</sub>	V <sub>SS</sub>
V <sub>REF</sub>	V <sub>SS</sub>
AIN0, AIN1	Open
V <sub>L1</sub> , V <sub>L2</sub> , V <sub>L3</sub>	Open
C1, C2	Open
RESET_N	Open
TEST	Open
NMI	Open
P00 to P03	V <sub>DD</sub> or V <sub>SS</sub>
P10 to P11	V <sub>DD</sub>
P20 to P22	Open
P30 to P35	Open
P40 to P47	Open
PA0 to PA7	Open
COM0 to 3	Open
SEG0 to 43	Open

**Note:**

It is recommended to set the unused input ports and input/output ports to the inputs with pull-down resistors/pull-up resistors or the output mode since the supply current may become excessively large if the pins are left open in the high impedance input setting.

## ELECTRICAL CHARACTERISTICS

## ABSOLUTE MAXIMUM RATINGS

(V<sub>SS</sub> = AV<sub>SS</sub> = 0V)

Parameter	Symbol	Condition	Rating	Unit
Power supply voltage 1	V <sub>DD</sub>	Ta = 25°C	-0.3 to +4.6	V
Power supply voltage 2	AV <sub>DD</sub>	Ta = 25°C	-0.3 to +4.6	V
Power supply voltage 3	V <sub>PP</sub>	Ta = 25°C	-0.3 to +9.5	V
Power supply voltage 4	V <sub>DDL</sub>	Ta = 25°C	-0.3 to +3.6	V
Power supply voltage 5	V <sub>DDX</sub>	Ta = 25°C	-0.3 to +3.6	V
Power supply voltage 6	V <sub>L1</sub>	Ta = 25°C	-0.3 to +1.75	V
Power supply voltage 7	V <sub>L2</sub>	Ta = 25°C	-0.3 to +3.5	V
Power supply voltage 8	V <sub>L3</sub>	Ta = 25°C	-0.3 to +5.25	V
Input voltage	V <sub>IN</sub>	Ta = 25°C	-0.3 to V <sub>DD</sub> +0.3	V
Output voltage	V <sub>OUT</sub>	Ta = 25°C	-0.3 to V <sub>DD</sub> +0.3	V
Output current 1	I <sub>OUT1</sub>	Port3-A, Ta = 25°C	-12 to +11	mA
Output current 2	I <sub>OUT2</sub>	Port2, Ta = 25°C	-12 to +20	mA
Power dissipation	PD	Ta = 25°C	1.25	W
Storage temperature	T <sub>STG</sub>	—	-55 to +150	°C

## RECOMMENDED OPERATING CONDITIONS

(V<sub>SS</sub> = AV<sub>SS</sub> = 0V)

Parameter	Symbol	Condition	Range	Unit
Operating temperature	T <sub>OP</sub>	ML610Q411, ML610Q412,	-20 to +70	°C
		ML610Q411P, ML610Q411PA, ML610Q412P	-40 to +85	
Operating voltage	V <sub>DD</sub>	—	1.1 to 3.6	V
	AV <sub>DD</sub>	—	2.2 to 3.6	
Operating frequency (CPU)	f <sub>OP</sub>	V <sub>DD</sub> = 1.1 to 3.6V	30k to 36k 46.9k to 78.1k	Hz
		V <sub>DD</sub> = 1.3 to 3.6V	30k to 625k 23k to 625k	
Capacitor externally connected to V <sub>DDL</sub> pin	C <sub>L0</sub>	—	1.0±30%	μF
	C <sub>L1</sub>	—	0.1±30%	
Capacitor externally connected to V <sub>DDX</sub> pin	C <sub>X</sub>	—	0.1±30%	μF
Capacitors externally connected to V <sub>L1, 2, 3</sub> pins	C <sub>1, 2, 3</sub>	—	1.0±30%	μF
Capacitors externally connected across C1 and C2 pins	C <sub>12</sub>	—	1.0±30%	μF

## CLOCK GENERATION CIRCUIT OPERATING CONDITIONS

(V<sub>SS</sub> = 0V)

Parameter	Symbol	Condition	Rating			Unit
			Min.	Typ.	Max.	
Low-speed crystal oscillation frequency	f <sub>XTL</sub>	—	—	32.768k	—	Hz
Recommended equivalent series resistance value of low-speed crystal oscillation	R <sub>L</sub>	—	—	—	40k	Ω
Low-speed crystal oscillation external capacitor <sup>*1</sup>	C <sub>DL</sub> /C <sub>GL</sub>	C <sub>L</sub> =6pF of crystal oscillation <sup>*2</sup>	—	0	—	pF
		C <sub>L</sub> =9pF of crystal oscillation	—	6	—	
		C <sub>L</sub> =12pF of crystal oscillation	—	12	—	
	C <sub>GH</sub>	—	—	24	—	

<sup>\*1</sup>: The external C<sub>DL</sub> and C<sub>GL</sub> need to be adjusted in consideration of variation of internal loading capacitance C<sub>D</sub> and C<sub>G</sub>, and other additional capacitance such as PCB layout.

<sup>\*2</sup>: When using a crystal oscillator C<sub>L</sub> = 6pF, there is a possibility that can not be adjusted by external C<sub>DL</sub> and C<sub>GL</sub>.

## OPERATING CONDITIONS OF FLASH ROM

(V<sub>SS</sub> = AV<sub>SS</sub> = 0V)

Parameter	Symbol	Condition	Range	Unit
Operating temperature	T <sub>OP</sub>	At write/erase	0 to +40	°C
Operating voltage	V <sub>DD</sub>	At write/erase <sup>*1</sup>	2.75 to 3.6	V
	V <sub>DDL</sub>	At write/erase <sup>*1</sup>	2.5 to 2.75	
	V <sub>PP</sub>	At write/erase <sup>*1</sup>	7.7 to 8.3	
Write cycles	C <sub>EP</sub>	—	80	cycles
Data retention	Y <sub>DR</sub>	—	10	years

<sup>\*1</sup>: Those voltages must be supplied to V<sub>DDL</sub> pin and V<sub>PP</sub> pin when programming and erasing Flash ROM. V<sub>PP</sub> pin has an internal pulldown resistor.

**DC CHARACTERISTICS (1/5)**

( $V_{DD} = 1.1$  to  $3.6V$ ,  $AV_{DD} = 2.2$  to  $3.6V$ ,  $V_{SS} = AV_{SS} = 0V$ ,  $T_a = -20$  to  $+70^\circ C$ ,  $T_a = -40$  to  $+85^\circ C$  for P version, unless otherwise specified) (1/5)

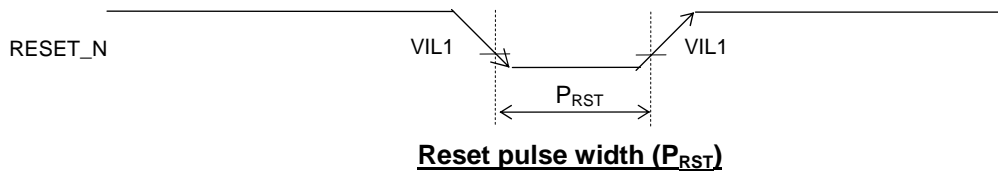
Parameter	Symbol	Condition	Rating			Unit	Measuring circuit
			Min.	Typ.	Max.		
500kHz RC oscillation frequency	$f_{RC}$	$V_{DD} = 1.3$ to $3.6V$	$T_a = 25^\circ C$	Typ. -10%	500	Typ. +10%	kHz
			*3	Typ. -25%	500	Typ. +25%	
Low-speed crystal oscillation start time*2	$T_{XTL}$	—	—	0.3	2	s	1
500kHz RC oscillation start time	$T_{RC}$	—	—	50	500	$\mu s$	
Low-speed oscillation stop detect time*1	$T_{STOP}$	—	0.2	3	20	ms	
Reset pulse width	$P_{RST}$	—	200	—	—	$\mu s$	
Reset noise elimination pulse width	$P_{NRST}$	—	—	—	0.3		
Power-on reset activation power rise time	$T_{POR}$	—	—	—	10	ms	

\*1: When low-speed crystal oscillation stops for a duration more than the low-speed oscillation stop detect time, the system is reset to shift to system reset mode.

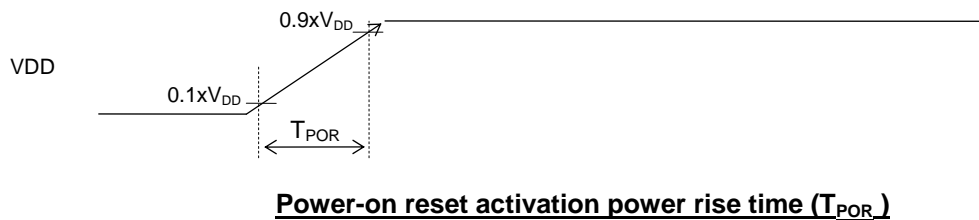
\*2: Use 32.768KHz Crystal Oscillator C-001R (Epson Toyocom) with capacitance  $C_{GL}/C_{DL} = 0pF$ .

\*3: Recommended operating temperature ( $T_a = -40$  to  $+85^\circ C$  for P version,  $T_a = -20$  to  $+70^\circ C$  for non-P version)

[Reset pulse width]



[Power-on reset activation power rise time]



## DC CHARACTERISTICS (2/5)

( $V_{DD} = 1.1$  to  $3.6V$ ,  $AV_{DD} = 2.2$  to  $3.6V$ ,  $V_{SS} = AV_{SS} = 0V$ ,  $T_a = -20$  to  $+70^\circ C$ ,  $T_a = -40$  to  $+85^\circ C$  for P version, unless otherwise specified) (2/5)

Parameter	Symbol	Condition	Rating			Unit	Measuring circuit	
			Min.	Typ.	Max.			
$V_{L1}$ voltage	$V_{L1}$	$V_{DD} = 3.0V$ , $T_j = 25^\circ C$	CN4-0 = 00H	0.89	0.94	0.99	V	1
			CN4-0 = 01H	0.91	0.96	1.01		
			CN4-0 = 02H	0.93	0.98	1.03		
			CN4-0 = 03H	0.95	1.00	1.05		
			CN4-0 = 04H	0.97	1.02	1.07		
			CN4-0 = 05H	0.99	1.04	1.09		
			CN4-0 = 06H	1.01	1.06	1.11		
			CN4-0 = 07H	1.03	1.08	1.13		
			CN4-0 = 08H	1.05	1.10	1.15		
			CN4-0 = 09H	1.07	1.12	1.17		
			CN4-0 = 0AH	1.09	1.14	1.19		
			CN4-0 = 0BH	1.11	1.16	1.21		
			CN4-0 = 0CH	1.13	1.18	1.23		
			CN4-0 = 0DH	1.15	1.20	1.25		
			CN4-0 = 0EH	1.17	1.22	1.27		
			CN4-0 = 0FH	1.19	1.24	1.29		
			CN4-0 = 10H	1.21	1.26	1.31		
			CN4-0 = 11H	1.23	1.28	1.33		
			CN4-0 = 12H	1.25	1.30	1.35		
			CN4-0 = 13H	1.27	1.32	1.37		
			CN4-0 = 14H	1.29	1.34	1.39		
			CN4-0 = 15H	1.31	1.36	1.41		
			CN4-0 = 16H	1.33	1.38	1.43		
			CN4-0 = 17H	1.35	1.40	1.45		
CN4-0 = 18H	1.37	1.42	1.47					
CN4-0 = 19H	1.39	1.44	1.49					
CN4-0 = 1AH	1.41	1.46	1.51					
CN4-0 = 1BH	1.43	1.48	1.53					
CN4-0 = 1CH	1.45	1.50	1.55					
CN4-0 = 1DH	1.47	1.52	1.57					
CN4-0 = 1EH	1.49	1.54	1.59					
CN4-0 = 1FH	1.51	1.56	1.61					
$V_{L1}$ temperature deviation *1	$\Delta V_{L1}$	$V_{DD} = 3.0V$	—	-1.5	—	mV/°C		
$V_{L1}$ voltage dependency *1	$\Delta V_{L1}$	$V_{DD} = 1.3$ to $3.6V$	—	5	20	mV/V		
$V_{L2}$ voltage	$V_{L2}$	$V_{DD} = 3.0V$ , $T_j = 25^\circ C$ $1M\Omega$ load ( $V_{L3} - V_{SS}$ )	Typ. -10%	$V_{L1} \times 2$	Typ. +4%	V		
$V_{L3}$ voltage	$V_{L3}$		Typ. -10%	$V_{L1} \times 3$	Typ. +4%			
LCD bias voltage generation time	$T_{BIAS}$	—	—	—	600	ms		

\*1:  $V_{L1}$  can not exceed  $V_{DD}$  level. The maximum  $V_{L1}$  becomes  $V_{DD}$  level when the  $V_{L1}$  calculated by the temperature deviation and voltage dependency is going to exceed the  $V_{DD}$  level.

## DC CHARACTERISTICS (3/5)

( $V_{DD} = 1.1$  to  $3.6V$ ,  $AV_{DD} = 2.2$  to  $3.6V$ ,  $V_{SS} = AV_{SS} = 0V$ ,  $T_a = -20$  to  $+70^\circ C$ ,  $T_a = -40$  to  $+85^\circ C$  for P version, unless otherwise specified) (3/5)

Parameter	Symbol	Condition	Rating			Unit	Measuring circuit	
			Min.	Typ.	Max.			
BLD threshold voltage	$V_{BLD}$	$V_{DD} = 1.35$ to $3.6V$	LD3-0 = 0H	Typ. -2%	1.35	Typ. +2%	V	1
			LD3-0 = 1H		1.4			
			LD3-0 = 2H		1.45			
			LD3-0 = 3H		1.5			
			LD3-0 = 4H		1.6			
			LD3-0 = 5H		1.7			
			LD3-0 = 6H		1.8			
			LD3-0 = 7H		1.9			
			LD3-0 = 8H		2.0			
			LD3-0 = 9H		2.1			
			LD3-0 = 0AH		2.2			
			LD3-0 = 0BH		2.3			
			LD3-0 = 0CH		2.4			
			LD3-0 = 0DH		2.5			
LD3-0 = 0EH	2.7							
LD3-0 = 0FH	2.9							
BLD threshold voltage temperature deviation	$\Delta V_{BLD}$	$V_{DD} = 1.35$ to $3.6V$	—	0	—	%/ $^\circ C$		
Supply current 1	IDD1	CPU: In STOP state. Low-speed/high-speed RC500kHz oscillation: stopped.	Ta= 25 $^\circ C$	—	0.15	0.5	$\mu A$	
			*5	—	—	2.5		
Supply current 2	IDD2	CPU: In HALT state (LTBC and WDT are Operating. Low speed oscillation stop detector is Stopped). <sup>*3*4</sup> High-speed 500kHz oscillation: Stopped. LCD and BIAS circuits: Stopped.	Ta= 25 $^\circ C$	—	0.5	1.3	$\mu A$	
			*5	—	—	3.5		
Supply current 3	IDD3	CPU: In HALT state (LTBC and WDT are Operating. Low speed oscillation stop detector is Stopped). <sup>*3</sup> High-speed 500kHz oscillation: Stopped. LCD and BIAS circuits: Operating. <sup>*2</sup>	Ta= 25 $^\circ C$	—	1.28	1.6	$\mu A$	1
			*5	—	—	11		
Supply current 4	IDD4	CPU: In 32.768kHz operating state. <sup>*1*3</sup> High-speed 500kHz oscillation: Stopped. LCD and BIAS circuits: Operating. <sup>*2</sup>	Ta= 25 $^\circ C$	—	5.5	7	$\mu A$	
			*5	—	—	12		
Supply current 5	IDD5	CPU: In RC 500kHz operating state. LCD and BIAS circuits: Operating. <sup>*2</sup>	Ta= 25 $^\circ C$	—	80	90	$\mu A$	
			*5	—	—	100		
Supply current 6	IDD6	CPU: In RC 500kHz operating state. <sup>*2</sup> LCD and BIAS circuits: Operating. <sup>*2</sup> A/D: In operating state. $V_{DD} = AV_{DD} = 3.0V$	Ta= 25 $^\circ C$	—	0.4	0.5	mA	1
			*5	—	—	0.6		

\*1: When the CPU operating rate is 100% (No HALT state).

\*2: All SEGs: off waveform, No LCD panel load, 1/3 bias, 1/3 duty, Frame frequency: Approx. 64 Hz, Bias voltage multiplying clock: 1/128 LSCLK (256Hz)

\*3: Use 32.768KHz Crystal Oscillator C-001R (Epson Toyocom) with capacitance  $C_{GL}/C_{DL} = 0pF$ .

\*4: Significant bits of BLKCON0~BLKCON4 registers are all "1".

\*5: Recommended operating temperature ( $T_a = -40$  to  $+85^\circ C$  for P version,  $T_a = -20$  to  $+70^\circ C$  for non-P version)



## DC CHARACTERISTICS (4/5)

( $V_{DD} = 1.1$  to  $3.6V$ ,  $AV_{DD} = 2.2$  to  $3.6V$ ,  $V_{SS} = AV_{SS} = 0V$ ,  $T_a = -20$  to  $+70^\circ C$ ,  $T_a = -40$  to  $+85^\circ C$  for P version, unless otherwise specified) (4/5)

Parameter	Symbol	Condition	Rating			Unit	Measuring circuit		
			Min.	Typ.	Max.				
Output voltage 1 (P20–P22/2 <sup>nd</sup> function is selected) (P30–P36) (P40–P47) (PB0–PB7) <sup>*1</sup>	VOH1	IOH1 = -0.5mA, $V_{DD} = 1.8$ to $3.6V$	$V_{DD}$ -0.5	—	—	V	2		
		IOH1 = -0.1mA, $V_{DD} = 1.3$ to $3.6V$	$V_{DD}$ -0.3	—	—				
		IOH1 = -0.03mA, $V_{DD} = 1.1$ to $3.6V$	$V_{DD}$ -0.3	—	—				
	VOL1	IOL1 = +0.5mA, $V_{DD} = 1.8$ to $3.6V$	—	—	0.5				
		IOL1 = +0.1mA, $V_{DD} = 1.3$ to $3.6V$	—	—	0.5				
		IOL1 = +0.03mA, $V_{DD} = 1.1$ to $3.6V$	—	—	0.3				
Output voltage 2 (P20–P22/2 <sup>nd</sup> function is Not selected)	VOH1	IOH1 = -0.5mA, $V_{DD} = 1.8$ to $3.6V$	$V_{DD}$ -0.5	—	—	V	2		
		IOH1 = -0.1mA, $V_{DD} = 1.3$ to $3.6V$	$V_{DD}$ -0.3	—	—				
		IOH1 = -0.03mA, $V_{DD} = 1.1$ to $3.6V$	$V_{DD}$ -0.3	—	—				
VOL2	IOL2 = +5mA, $V_{DD} = 1.8$ to $3.6V$	—	—	0.5					
Output voltage 3 (P40–P41)	VOL3	IOL3 = +3mA, $V_{DD} = 2.0$ to $3.6V$ (when I <sup>2</sup> C mode is selected)	—	—	0.4			V	2
Output voltage 4 (COM0–3) (SEG0–35) <sup>*1</sup> (SEG0–43) <sup>*2</sup>	VOH4	IOH4 = -0.2mA, $V_{L1}=1.2V$	$V_{L3}$ -0.2	—	—				
	VOMH4	IOMH4 = +0.2mA, $V_{L1}=1.2V$	—	—	$V_{L2}$ +0.2				
	VOM4S	IOM4S = -0.2mA, $V_{L1}=1.2V$	$V_{L2}$ -0.2	—	—				
	VOML4	IOML4 = +0.2mA, $V_{L1}=1.2V$	—	—	$V_{L1}$ +0.2				
	VOML4S	IOML4S = -0.2mA, $V_{L1}=1.2V$	$V_{L1}$ -0.2	—	—				
	VOL4	IOL4 = +0.2mA, $V_{L1}=1.2V$	—	—	0.2				
Output leakage (P20–P22) (P30–P35) (P40–P47) (PA0–PA7) <sup>*1</sup>	IOOH	VOH = $V_{DD}$ (in high-impedance state)	—	—	1	$\mu A$	3		
	IOOL	VOL = $V_{SS}$ (in high-impedance state)	-1	—	—				
Input current 1 (RESET_N)	IIH1	$V_{IH1} = V_{DD}$		0	—	1	$\mu A$	4	
	IIL1	$V_{IL1} = V_{SS}$	$V_{DD} = 1.3$ to $3.6V$	-600	-300	-10			
$V_{DD} = 1.1$ to $3.6V$			-600	-300	-2				
Input current 1 (TEST)	IIH1	$V_{IH1} = V_{DD}$	$V_{DD} = 1.3$ to $3.6V$	10	300	600			
			$V_{DD} = 1.1$ to $3.6V$	2	300	600			
IIL1	$V_{IL1} = V_{SS}$		-1	—	—				
Input current 2 (NMI) (P00-P03) (P10-P11) (P30-P35) (P40-P47) (PA0-PA7) <sup>*1</sup>	IIH2	$V_{IH2} = V_{DD}$ (when pulled-down)	$V_{DD} = 1.3$ to $3.6V$	0.2	30	200			
			$V_{DD} = 1.1$ to $3.6V$	0.01	30	200			
	IIL2	$V_{IL2} = V_{SS}$ (when pulled-up)	$V_{DD} = 1.3$ to $3.6V$	-200	-30	-0.2			
			$V_{DD} = 1.1$ to $3.6V$	-200	-30	-0.01			
	IIH2Z	$V_{IH2} = V_{DD}$ (in high-impedance state)		—	—	1			
	IIL2Z	$V_{IL2} = V_{SS}$ (in high-impedance state)		-1	—	—			

\*1: ML610Q411

\*2: ML610Q412

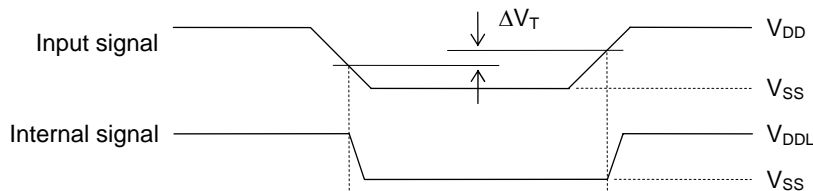
**DC CHARACTERISTICS (5/5)**

( $V_{DD} = 1.1$  to  $3.6V$ ,  $AV_{DD} = 2.2$  to  $3.6V$ ,  $V_{SS} = AV_{SS} = 0V$ ,  $T_a = -20$  to  $+70^\circ C$ ,  $T_a = -40$  to  $+85^\circ C$  for P version, unless otherwise specified) (5/5)

Parameter	Symbol	Condition	Rating			Unit	Measuring circuit
			Min.	Typ.	Max.		
Input voltage 1 (RESET_N) (TEST) (NMI) (P00-P03) (P10-P11) (P31-P35) (P40-P43) (P45-P47) (PA0-PA7) <sup>*1</sup>	VIH1	$V_{DD} = 1.3$ to $3.6V$	$0.7 \times V_{DD}$	—	$V_{DD}$	V	5
		$V_{DD} = 1.1$ to $3.6V$	$0.7 \times V_{DD}$	—	$V_{DD}$		
	VIL1	$V_{DD} = 1.3$ to $3.6V$	0	—	$0.3 \times V_{DD}$		
		$V_{DD} = 1.1$ to $3.6V$	0	—	$0.2 \times V_{DD}$		
Hysteresis width (RESET_N) (TEST_N) (NMI) (P00-P03) (P10-P11) (P31-P35) (P40-P43) (P45-P47) (PA0-PA7) <sup>*1</sup>	$\Delta V_T$	$V_{DD} = 2.0$ to $3.6V$	$0.05 \times V_{DD}$	$0.18 \times V_{DD}$	$0.4 \times V_{DD}$	V	5
		$V_{DD} = 1.1$ to $3.6V$	$0.02 \times V_{DD}$	$0.18 \times V_{DD}$	$0.4 \times V_{DD}$		
Input voltage 2 (P30, P44)	VIH2	—	$0.7 \times V_{DD}$	—	$V_{DD}$	pF	—
	VIL2	—	0	—	$0.3 \times V_{DD}$		
Input pin capacitance (NMI) (P00-P03) (P10-P11) (P30-P35) (P40-P47) (PA0-PA7) <sup>*1</sup>	CIN	$f = 10kHz$ $V_{rms} = 50mV$ $T_a = 25^\circ C$	—	—	5	pF	—

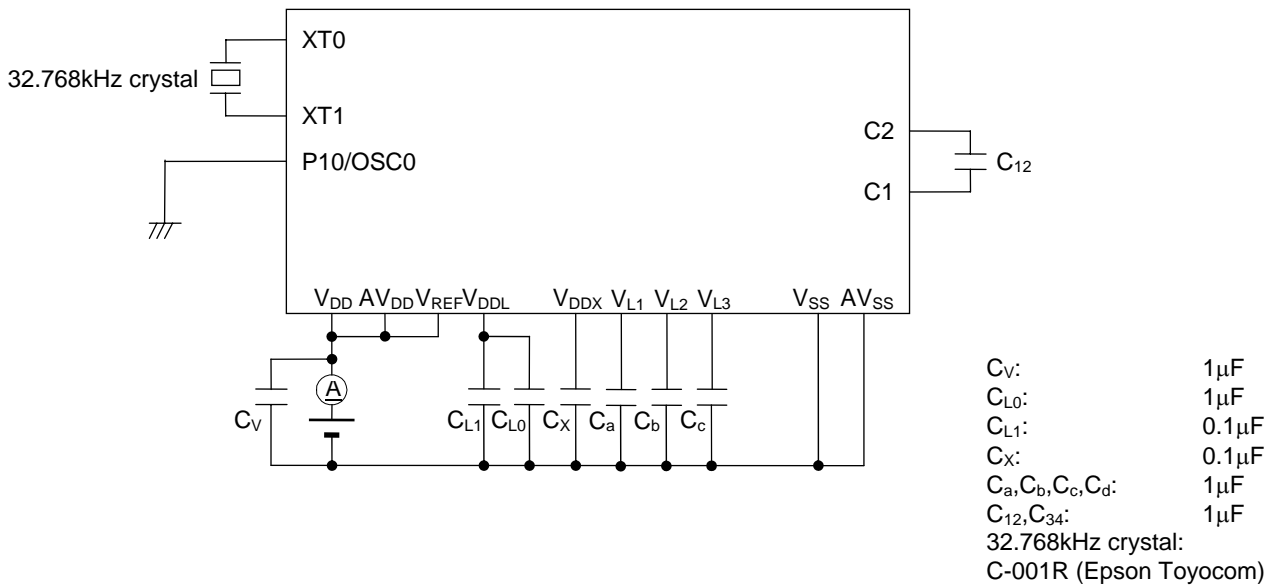
\*1: ML610Q411

**HYSTERESIS WIDTH**

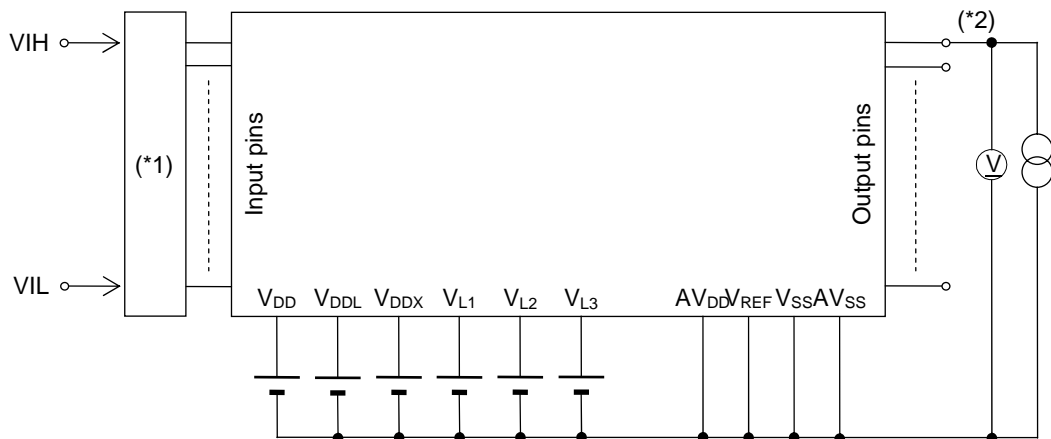


MEASURING CIRCUITS

MEASURING CIRCUIT 1



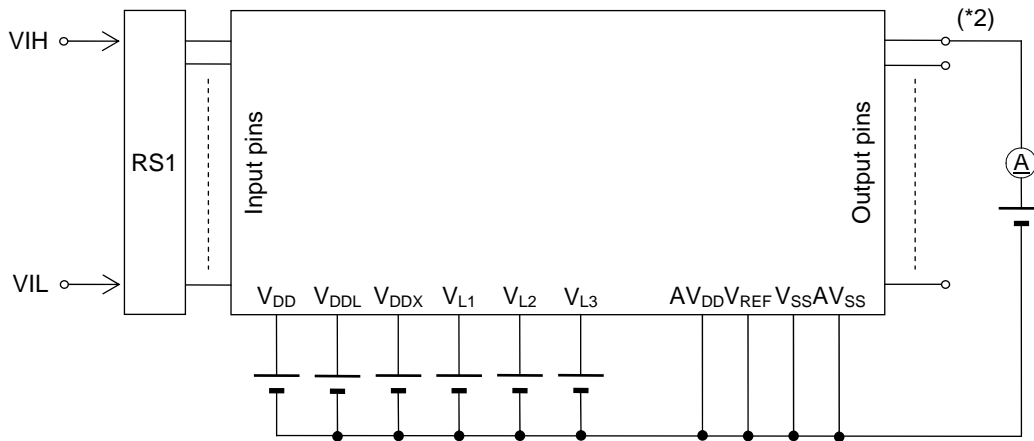
MEASURING CIRCUIT 2



(\*1) Input logic circuit to determine the specified measuring conditions.

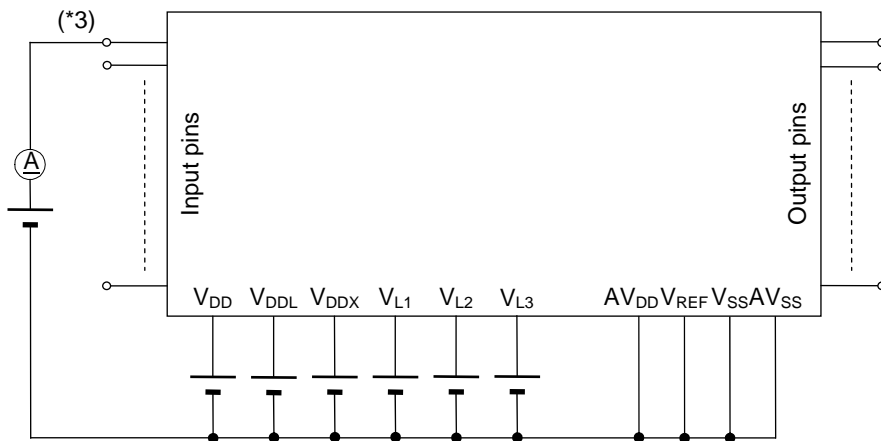
(\*2) Measured at the specified output pins.

**MEASURING CIRCUIT 3**



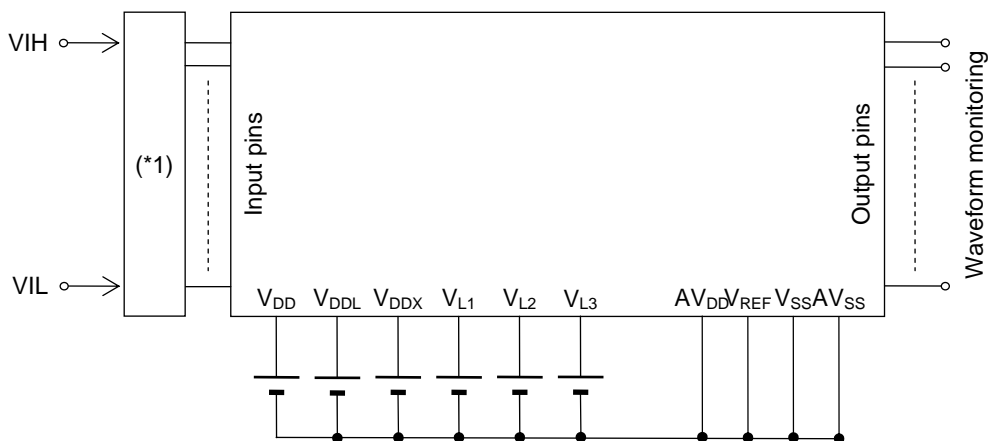
\*1: Input logic circuit to determine the specified measuring conditions.  
 \*2: Measured at the specified output pins.

**MEASURING CIRCUIT 4**



\*3: Measured at the specified output pins.

**MEASURING CIRCUIT 5**

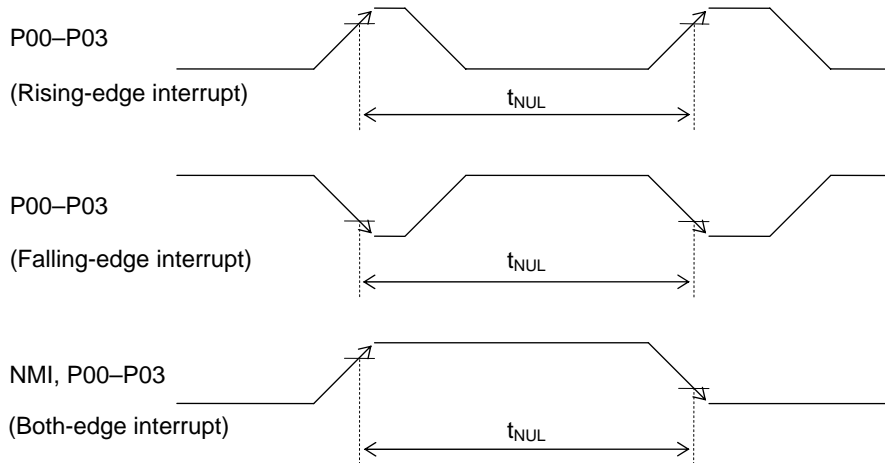


\*1: Input logic circuit to determine the specified measuring conditions.

**AC CHARACTERISTICS (External Interrupt)**

( $V_{DD} = 1.1$  to  $3.6V$ ,  $AV_{DD} = 2.2$  to  $3.6V$ ,  $V_{SS} = AV_{SS} = 0V$ ,  $T_a = -20$  to  $+70^\circ C$ ,  $T_a = -40$  to  $+85^\circ C$  for P version, unless otherwise specified)

Parameter	Symbol	Condition	Rating			Unit
			Min.	Typ.	Max.	
External interrupt disable period	$T_{NUL}$	Interrupt: Enabled (MIE = 1), CPU: NOP operation System clock: 32.768kHz	76.8	—	106.8	$\mu s$

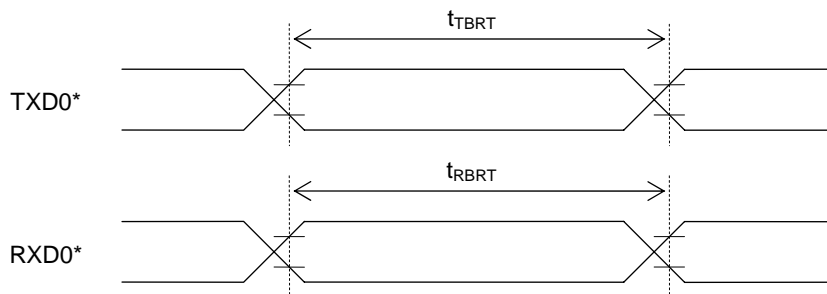


**AC CHARACTERISTICS (Serial Port)**

( $V_{DD} = 1.3$  to  $3.6V$ ,  $AV_{DD} = 2.2$  to  $3.6V$ ,  $V_{SS} = AV_{SS} = 0V$ ,  $T_a = -20$  to  $+70^\circ C$ ,  $T_a = -40$  to  $+85^\circ C$  for P version, unless otherwise specified)

Parameter	Symbol	Condition	Rating			Unit
			Min.	Typ.	Max.	
Transmit baud rate	$t_{TBRT}$	—	—	$BRT^{*1}$	—	s
Receive baud rate	$t_{RBRT}$	—	$BRT^{*1}$ -3%	$BRT^{*1}$	$BRT^{*1}$ +3%	s

\*1: Baud rate period (including the error of the clock frequency selected) set with the serial port baud rate register (SIOBRTL,H) and the serial port mode register 0 (SIOMOD0).



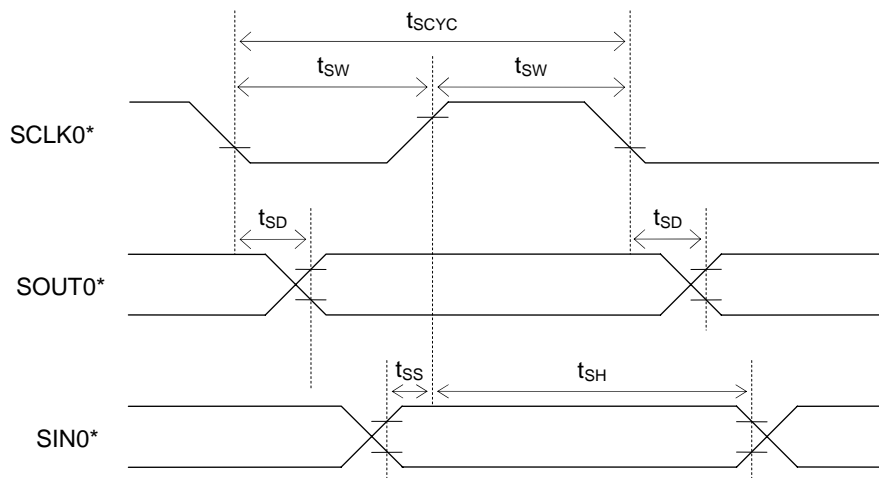
\*: Indicates the secondary function of the port.

**AC CHARACTERISTICS (Synchronous Serial Port)**

( $V_{DD} = 1.3$  to  $3.6V$ ,  $AV_{DD} = 2.2$  to  $3.6V$ ,  $V_{SS} = AV_{SS} = 0V$ ,  $T_a = -20$  to  $+70^\circ C$ ,  $T_a = -40$  to  $+85^\circ C$  for P version, unless otherwise specified)

Parameter	Symbol	Condition	Rating			Unit
			Min.	Typ.	Max.	
SCLK input cycle (slave mode)	$t_{SCYC}$	When high-speed oscillation is not active	10	—	—	$\mu s$
SCLK output cycle (master mode)	$t_{SCYC}$	—	—	$SCLK^{*1}$	—	s
SCLK input pulse width (slave mode)	$t_{SW}$	When high-speed oscillation is not active	4	—	—	$\mu s$
SCLK output pulse width (master mode)	$t_{SW}$	—	$SCLK^{*1} \times 0.4$	$SCLK^{*1} \times 0.5$	$SCLK^{*1} \times 0.6$	s
SOUT output delay time (slave mode)	$t_{SD}$	—	—	—	500	ns
SOUT output delay time (master mode)	$t_{SD}$	—	—	—	500	ns
SIN input setup time (slave mode)	$t_{SS}$	—	80	—	—	ns
SIN input setup time (master mode)	$t_{SS}$	—	500	—	—	ns
SIN input hold time	$t_{SH}$	—	300	—	—	ns

\*1: Clock period selected with S0CK3–0 of the serial port 0 mode register (SIO0MOD1)

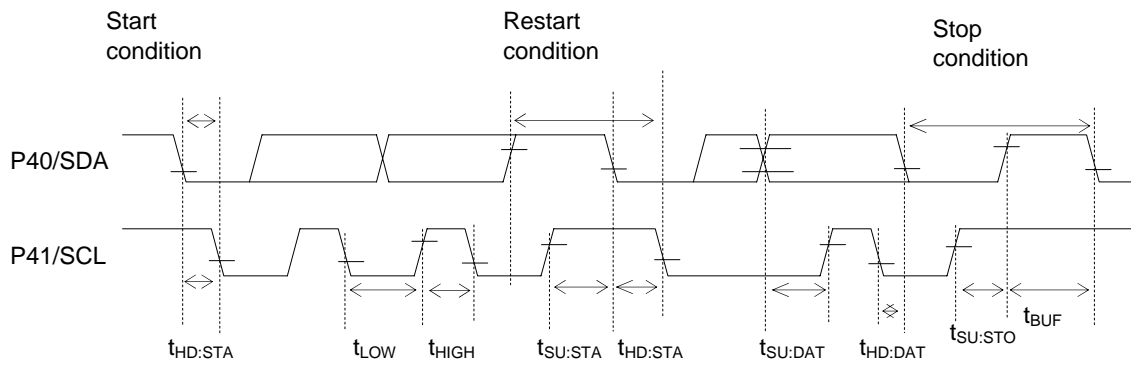


\*: Indicates the secondary function of the port.

**AC CHARACTERISTICS (I<sup>2</sup>C Bus Interface: Standard Mode)**

(V<sub>DD</sub> = 1.8 to 3.6V, AV<sub>DD</sub> = 2.2 to 3.6V, V<sub>SS</sub> = AV<sub>SS</sub> = 0V, Ta = -20 to +70°C, Ta = -40 to +85°C for P version, unless otherwise specified)

Parameter	Symbol	Condition	Rating			Unit
			Min.	Typ.	Max.	
SCL clock frequency	f <sub>SCL</sub>	—	—	50	—	kHz
SCL hold time (start/restart condition)	t <sub>HD:STA</sub>	—	4.0	—	—	μs
SCL "L" level time	t <sub>LOW</sub>	—	4.7	—	—	μs
SCL "H" level time	t <sub>HIGH</sub>	—	4.0	—	—	μs
SCL setup time (restart condition)	t <sub>SU:STA</sub>	—	4.7	—	—	μs
SDA hold time	t <sub>HD:DAT</sub>	—	0	—	—	μs
SDA setup time	t <sub>SU:DAT</sub>	—	0.25	—	—	μs
SDA setup time (stop condition)	t <sub>SU:STO</sub>	—	4.0	—	—	μs
Bus-free time	t <sub>BUF</sub>	—	4.7	—	—	μs



**AC CHARACTERISTICS (RC Oscillation A/D Converter)**

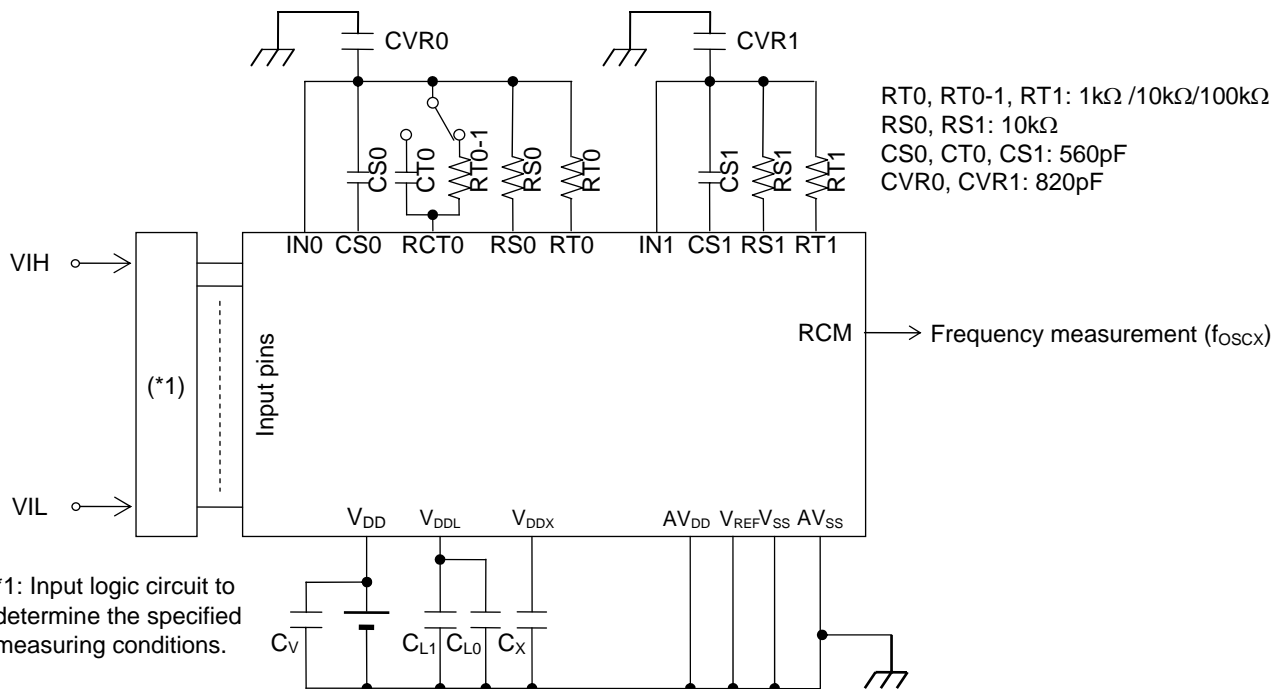
(V<sub>DD</sub> = 1.3 to 3.6V, AV<sub>DD</sub> = 2.2 to 3.6V, V<sub>SS</sub> = AV<sub>SS</sub> = 0V, Ta = -20 to +70°C, Ta = -40 to +85°C for P version, unless otherwise specified)

Parameter	Symbol	Condition	Rating			Unit
			Min.	Typ.	Max.	
Resistors for oscillation	RS0, RS1, RT0, RT0-1, RT1	CS0, CT0, CS1 ≥ 740pF	1	—	—	kΩ
Oscillation frequency VDD = 1.5V	f <sub>OSC1</sub>	Resistor for oscillation = 1kΩ	209.4	330.6	435.1	kHz
	f <sub>OSC2</sub>	Resistor for oscillation = 10kΩ	41.29	55.27	64.16	kHz
	f <sub>OSC3</sub>	Resistor for oscillation = 100kΩ	4.71	5.97	7.06	kHz
RS to RT oscillation frequency ratio <sup>*1</sup> VDD = 1.5V	Kf1	RT0, RT0-1, RT1 = 1kHz	5.567	5.982	6.225	—
	Kf2	RT0, RT0-1, RT1 = 10kHz	0.99	1	1.01	—
	Kf3	RT0, RT0-1, RT1 = 100kHz	0.104	0.108	0.118	—
Oscillation frequency VDD = 3.0V	f <sub>OSC1</sub>	Resistor for oscillation = 1kΩ	407.3	486.7	594.6	kHz
	f <sub>OSC2</sub>	Resistor for oscillation = 10kΩ	49.76	59.28	72.76	kHz
	f <sub>OSC3</sub>	Resistor for oscillation = 100kΩ	5.04	5.993	7.04	kHz
RS to RT oscillation frequency ratio <sup>*1</sup> VDD = 3.0V	Kf1	RT0, RT0-1, RT1 = 1kHz	8.006	8.210	8.416	—
	Kf2	RT0, RT0-1, RT1 = 10kHz	0.99	1	1.01	—
	Kf3	RT0, RT0-1, RT1 = 100kHz	0.100	0.108	0.115	—

\*1: Kfx is the ratio of the oscillation frequency by the sensor resistor to the oscillation frequency by the reference resistor on the same conditions.

$$Kfx = \frac{f_{oscx}(RT0-CS0 \text{ oscillation})}{f_{oscx}(RS0-CS0 \text{ oscillation})}, \quad \frac{f_{oscx}(RT0-1-CS0 \text{ oscillation})}{f_{oscx}(RS0-CS0 \text{ oscillation})}, \quad \frac{f_{oscx}(RT1-CS1 \text{ oscillation})}{f_{oscx}(RS1-CS1 \text{ oscillation})}$$

(x = 1, 2, 3)



**Note:**

- Please have the shortest layout for the common node (wiring patterns which are connected to the external capacitors, resistors and IN0/IN1 pin), including CVR0/CVR1. Especially, do not have long wire between IN0/IN1 and RS0/RS1. The coupling capacitance on the wires may occur incorrect A/D conversion. Also, please do not have signals which may be a source of noise around the node.
- When RT0/RT1 (Thermistor and etc.) requires long wiring due to the restricted placement, please have VSS(GND) trace next to the signal.
- Please make wiring to components (capacitor, resistor and etc.) necessary for objective measurement. Wiring to reserved components may affect to the A/D conversion operation by noise the components itself may have.



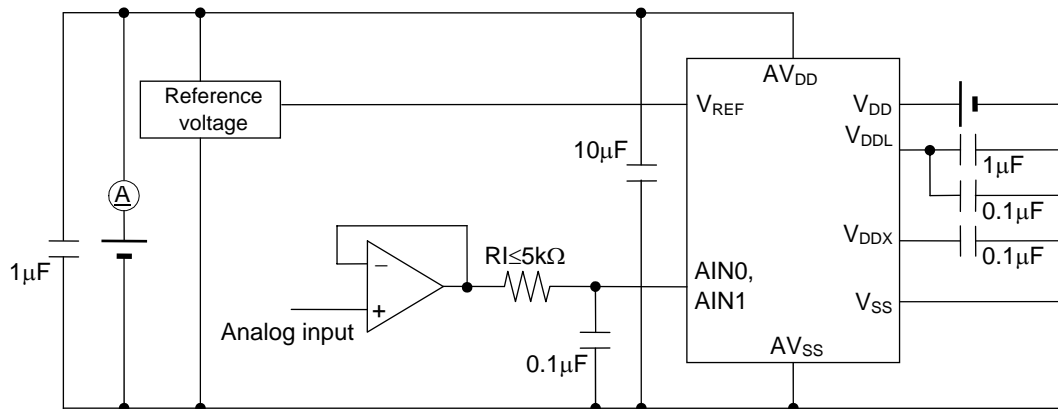
**Electrical Characteristics of Successive Approximation Type A/D Converter**

( $V_{DD} = 1.8$  to  $3.6V$ ,  $AV_{DD} = 2.2$  to  $3.6V$ ,  $V_{SS} = AV_{SS} = 0V$ ,  $T_a = -20$  to  $+70^\circ C$ ,  $T_a = -40$  to  $+85^\circ C$  for P version, unless otherwise specified)

Parameter	Symbol	Condition	Rating			Unit
			Min.	Typ.	Max.	
Resolution	n	—	—	—	12	bit
Integral non-linearity error	IDL	$2.7V \leq V_{REF} \leq 3.6V$	-4	—	+4	LSB
		$2.2V \leq V_{REF} \leq 2.7V$	-6	—	+6	
Differential non-linearity error	DNL	$2.7V \leq V_{REF} \leq 3.6V$	-3	—	+3	
		$2.2V \leq V_{REF} \leq 2.7V$	-5	—	+5	
Zero-scale error	$V_{OFF}$	—	-6	—	+6	
Full-scale error	FSE	—	-6	—	+6	
Reference voltage	$V_{REF}$	—	2.2	—	$AV_{DD}$	V
Conversion time	$t_{CONV}$	—	—	$23^{*1}$	—	$\phi/CH$

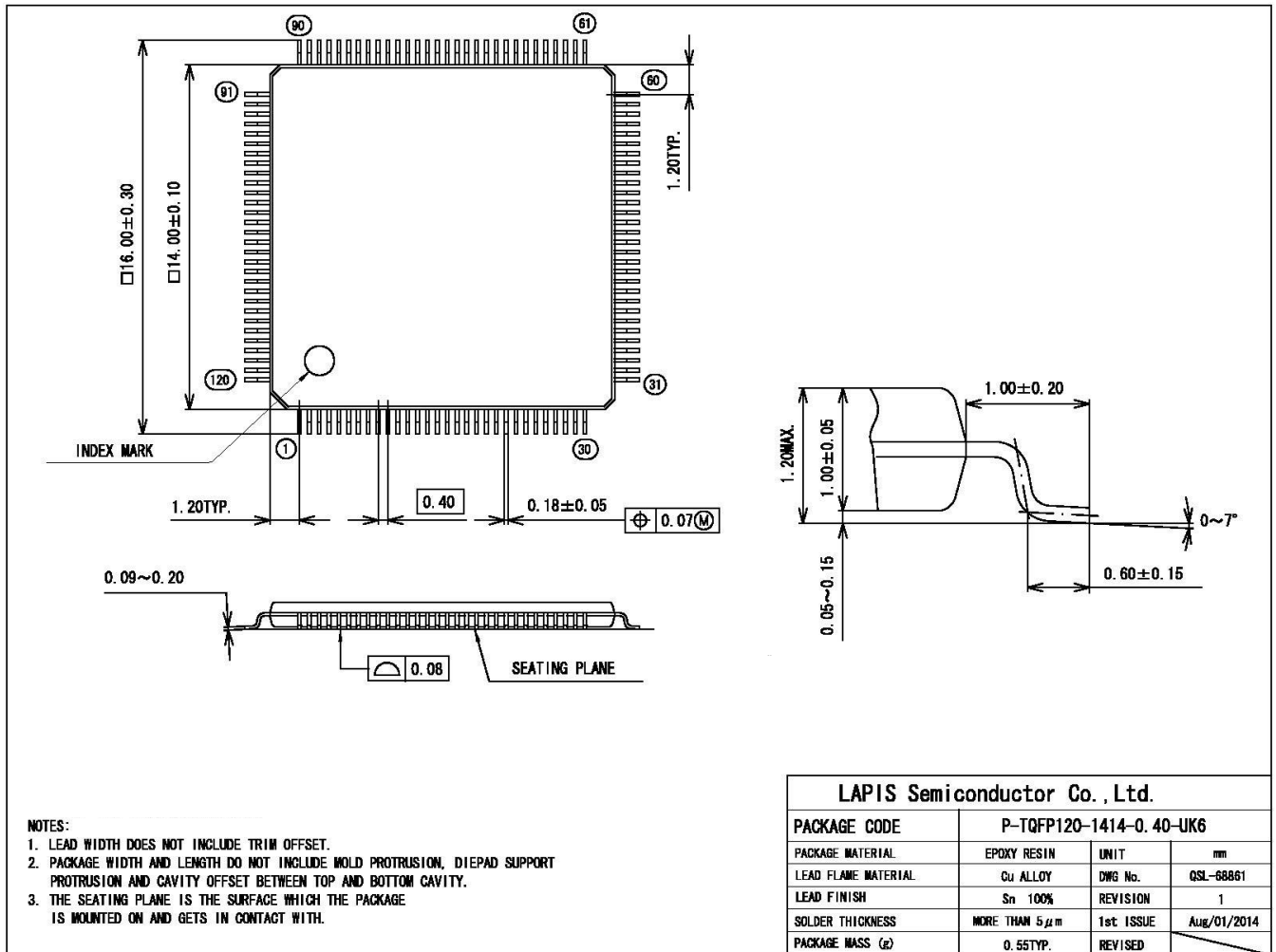
$\phi$ : Period of high-speed clock (HSCLK)

\*1:  $2\phi / CH$  is required as an interval time for each conversion in the case of consecutive A/D conversion.



PACKAGE DIMENSIONS

(Unit: mm)



Notes for Mounting the Surface Mount Type Package

The surface mount type packages are very susceptible to heat in reflow mounting and humidity absorbed in storage. Therefore, before you perform reflow mounting, contact a ROHM sales office for the product name, package name, pin number, package code and desired mounting conditions (reflow method, temperature and times).

## REVISION HISTORY

Document No.	Date	Page		Description
		Previous Edition	Current Edition	
FEDL610Q411-01	Jul.17,2010	–	–	Formally edition 1
FEDL610Q411-02	Mar.23,2011	3, 4, 21	3, 4, 21	Add the explanation of ML610Q411PC.
		34	34	Replace the package dimension (Only the format is changed. Package size and material are not changed.)
FEDL610Q411-03	Apr.15,2015	All	All	Change header and footer.
		1~3	1~3	Delete ML610Q415 and ML610Q411PC
		5	5	
		7	7	
		9	9	
		11	11	
		13	13	
		15	15	
		16	16	
		18~20	18~20	
		21	22	
23	24			
24	25			
25	26			
27	27			
		4	4	Change from "Shipment" to "Product name – Supported Function"
		–	21	Add CLOCK GENERATION CIRCUIT OPERATING CONDITIONS
		21	22	Change "RESET" to "Reset pulse width (P <sub>RST</sub> ) " and "Power-on reset activation power rise time (T <sub>POR</sub> ) ".
		36	36	Change description in Note.
FEDL610Q411-04	July.13,2015	14	14	Corrected a typo. -PAD No,"37" is corrected to "36". -PAD No,"36" is corrected to "35".

Notes

- 1) The information contained herein is subject to change without notice.
- 2) Although LAPIS Semiconductor is continuously working to improve product reliability and quality, semiconductors can break down and malfunction due to various factors. Therefore, in order to prevent personal injury or fire arising from failure, please take safety measures such as complying with the derating characteristics, implementing redundant and fire prevention designs, and utilizing backups and fail-safe procedures. LAPIS Semiconductor shall have no responsibility for any damages arising out of the use of our Products beyond the rating specified by LAPIS Semiconductor.
- 3) Examples of application circuits, circuit constants and any other information contained herein are provided only to illustrate the standard usage and operations of the Products. The peripheral conditions must be taken into account when designing circuits for mass production.
- 4) The technical information specified herein is intended only to show the typical functions of the Products and examples of application circuits for the Products. No license, expressly or implied, is granted hereby under any intellectual property rights or other rights of LAPIS Semiconductor or any third party with respect to the information contained in this document; therefore LAPIS Semiconductor shall have no responsibility whatsoever for any dispute, concerning such rights owned by third parties, arising out of the use of such technical information.
- 5) The Products are intended for use in general electronic equipment (i.e. AV/OA devices, communication, consumer systems, gaming/entertainment sets) as well as the applications indicated in this document.
- 6) The Products specified in this document are not designed to be radiation tolerant.
- 7) For use of our Products in applications requiring a high degree of reliability (as exemplified below), please contact and consult with a LAPIS Semiconductor representative: transportation equipment (i.e. cars, ships, trains), primary communication equipment, traffic lights, fire/crime prevention, safety equipment, medical systems, servers, solar cells, and power transmission systems.
- 8) Do not use our Products in applications requiring extremely high reliability, such as aerospace equipment, nuclear power control systems, and submarine repeaters.
- 9) LAPIS Semiconductor shall have no responsibility for any damages or injury arising from non-compliance with the recommended usage conditions and specifications contained herein.
- 10) LAPIS Semiconductor has used reasonable care to ensure the accuracy of the information contained in this document. However, LAPIS Semiconductor does not warrant that such information is error-free and LAPIS Semiconductor shall have no responsibility for any damages arising from any inaccuracy or misprint of such information.
- 11) Please use the Products in accordance with any applicable environmental laws and regulations, such as the RoHS Directive. For more details, including RoHS compatibility, please contact a ROHM sales office. LAPIS Semiconductor shall have no responsibility for any damages or losses resulting non-compliance with any applicable laws or regulations.
- 12) When providing our Products and technologies contained in this document to other countries, you must abide by the procedures and provisions stipulated in all applicable export laws and regulations, including without limitation the US Export Administration Regulations and the Foreign Exchange and Foreign Trade Act.
- 13) This document, in part or in whole, may not be reprinted or reproduced without prior consent of LAPIS Semiconductor.

Copyright 2010 – 2015 LAPIS Semiconductor Co., Ltd.

---

**LAPIS Semiconductor Co., Ltd.**

2-4-8 Shinyokohama, Kouhoku-ku,  
Yokohama 222-8575, Japan  
<http://www.lapis-semi.com/en/>