

# ML67Q5250

## DFT Based Fingerprint Authentication LSI

### GENERAL DESCRIPTION

The ML67Q5250 is a single chip LSI that executes fingerprint authentication without external memory by using the embedded fingerprint authentication accelerator. This fingerprint authentication accelerator uses DFT (Discrete Fourier Transform) based algorithm licensed from Precise Biometrics, and supports AuthenTec's slide sensors and certain touch sensors from several sensor manufacturers. Besides the ML67Q5250 has the secure circuit to protect enrolled fingerprint data from unauthorized access. Thus this LSI helps customers quickly design new products that offer convenient security as far as high performance fingerprint authentication, low cost and high level of security.

### FEATURES

- Fingerprint authentication
  - DFT (Discrete Fourier Transform) based algorithm licensed from Precise Biometrics  
This DFT based algorithm achieves a lower FTE (False To Enrollment rate) and a higher authentication accuracy especially when a slide sensor is used, as compared to the minutiae algorithm.
  - Easy-to-use  
The fingerprint authentication is performed by the fingerprint authentication accelerator, which does not ask customers for so complicated control.
  - No external memory  
Customer's application program and up to 15 fingerprint data can be stored in the embedded Flash memory on the ML67Q5250. No external memory is required, when a slide sensor is used. External memory is required when a touch sensor is used.
  - High-speed authentication, besides low power consumption  
The highly optimized fingerprint authentication accelerator achieves high-speed authentication using a low speed clock.
    - Authentication : < 0.8 seconds (1:1 authentication)  
                  < 1.8 seconds (1:15 authentication)
    - Enrollment : < 2 seconds/finger
  - Applicable fingerprint sensor
    - Slide sensor : AuthenTec AES1510 (128 × 8 pixels)  
                  AuthenTec AES2510 (192 × 16 pixels)
    - Touch sensor : Any vendor's touch sensor as far as 256 × 360 pixels max., 8 bits/pixel and 500±8 dpi
- CPU
  - 32-bit RISC CPU (ARM7TDMI)
  - Little endian format
  - Instruction system: A high-density 32-bit instruction and a 16-bit instruction of high-object efficiency, which is the subset of the 32-bit instruction, can be executed in mixed mode.
  - General-purpose register: 32 bits x 31 registers
  - Built-in barrel shifter (ALU and barrel shift operation can be executed by one instruction)
  - Built-in debugging function (JTAG interface)  
The JTAG interface pin is shared with GPIO.

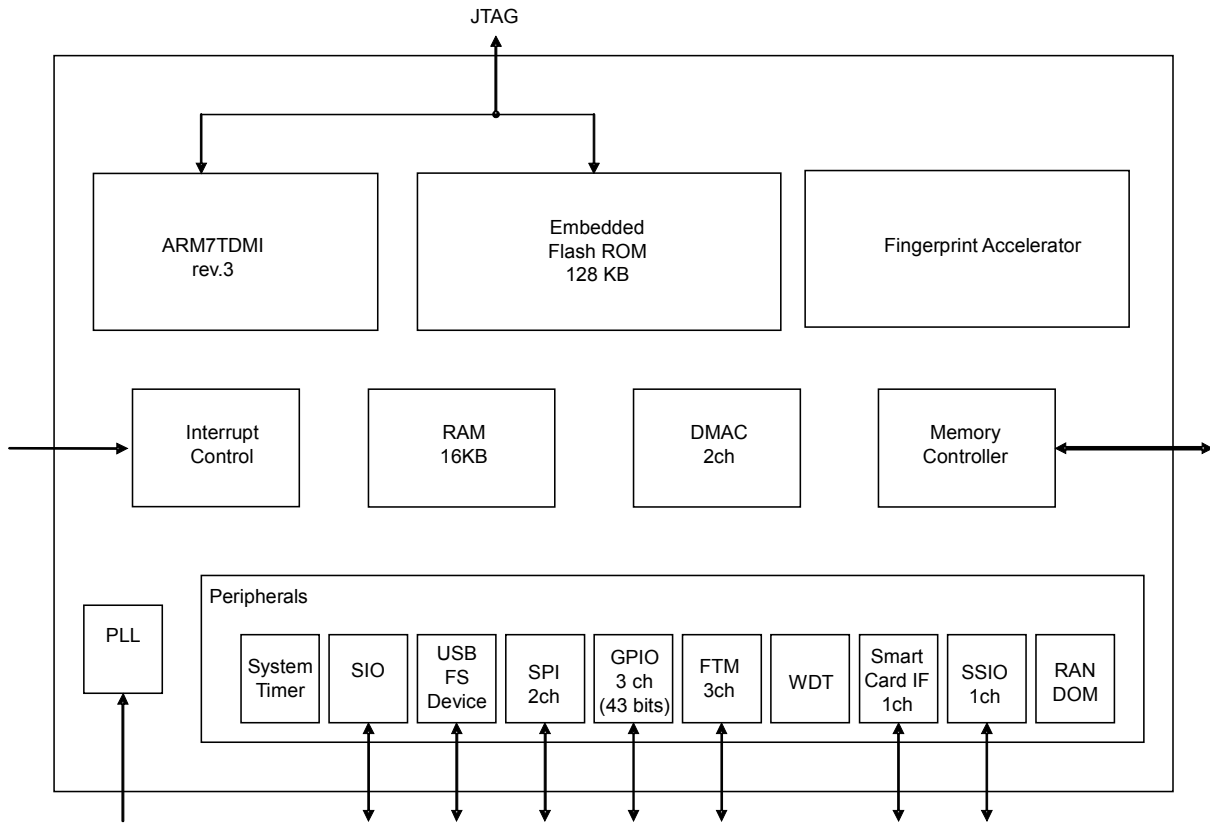
- Internal RAM
  - Working RAM for CPU : 16 Kbytes
  
- Internal Flash ROM
  - 128 Kbyte Flash ROM
  - Program ROM : 64 Kbytes
    - This program ROM includes drivers for fingerprint authentication and peripherals.
    - Erase/rewrite times : 100 max.
  - Data ROM for storing fingerprint data : 64 Kbytes
    - Erase/rewrite times : 10,000 max. (when enrolling one fingerprint data)
  
- External memory controller
  - ROM/Flash
    - 1 bank x 4 Mbytes
    - Supports 16-bit devices
    - Bootable from external ROM/Flash
      - This function can not be used during security function being activated.
  - SRAM
    - 1 bank x 4 Mbytes
    - Supports 16-bit devices
  - External I/O
    - 2-bank x 4 Mbytes
    - Supports 8-bit/16-bit devices
    - Enable to set address setup, RW/WE pulse, and data off timing in system clock cycle unit
    - Supports an access wait function by wait signal
  
- Interrupt control
  - FIQ: 1 interrupt source
  - IRQ: 22 interrupt sources
    - 7 priority levels can be set for each source.
  
- DMA controller (DMAC)
  - 2 channels
  - Enable to allocate multiple DMA transfer request sources for each channel.
  - Channel priority: fixed mode/round robin mode
  - DMA transfer mode: cycle steal mode/burst mode
  - DMA request type: software requests/hardware requests
  - Maximum transfer count : 65,536
  - Data transfer size: 8 bits/16 bits/32 bits
  - Transfer request source: CPU, SPI, Synchronous SIO, Smartcard IF

- GPIO
  - 13 bits × 1 channel, 14 bits × 1 channel, and 16 bits × 1 channel
  - Enable to setting input mode or output mode for each bit
  - Enable to setting as interruption source for each bit
  - Interruption mode: level/edge and positive logic/negative logic
- System timer
  - 16-bit auto reload timer × 1 channel
- Flexible timer (FTM)
  - 16-bit timer × 3 channels
  - Operating mode
    - Auto reload timer (ART) /Compare Out (CMO) /pulse width modulation (PWM) /capture (CAP) mode.
- Watch dog timer (WDT)
  - 16-bits timer
  - 8.389 seconds max. (when CPU operating frequency is 32 MHz)
  - Enables generation of interrupt or reset by setting
- SIO (UART)
  - Full-duplex asynchronous mode
  - Built-in baud rate generator
- SPI
  - 2 channels of full-duplex serial peripheral interfaces
  - Operating mode: master mode/slave mode
  - Data transfer size: 8 bits (byte) / 16 bits (word)
  - Built-in 16-byte/16-word FIFO on the transmission side and the reception side
  - Supports DMA transfer (master/slave mode)
- Synchronous SIO (SSIO)
  - 8-bit clock synchronous serial port × 1 channel
  - Selectable clock polarity
  - Selectable LSB first or MSB first
  - Operation mode: master mode/slave mode
  - Supports DMAC transfer (in master mode only)
- Smart Card interface (Smartcard IF)
  - ISO UART × 1 channel
  - Built-in 16-byte FIFO
  - Built-in parity error counter in receive mode and transmit mode at automatic retransmission
  - Supports asynchronous protocol of T = 0 and T = 1 according to ISO7816 and EMV
  - Built-in error detection code generation and error detection functions by hardware
  - Supports DMA transfer
- USB2.0 full-speed device
  - Compliant with Universal Serial Bus (USB) 2.0
  - Full speed (12 Mbps) × 1 port.
  - End points: 5 or 6
  - Supports all data transfer types (control transfer, bulk transfer, interrupt transfer, isochronous transfer).
  - Built-in SOF generation and CRC5/16 generation functions
  - Access size to data transfer FIFOs: 8 bits/16 bits/32 bits

- Random number generator (RANDOM)
  - Generates 8-bit random numbers
  
- Clock
  - Input clock: 12 MHz (oscillator connected)
  - System clock (CPU operating clock): 32 MHz
    - System clock is generated by PLL using 12MHz clock.
  - Output clock: 6/12 MHz for fingerprint sensor
  
- Power management
  - Power saving mode
    - Individual module clock stop mode:
      - Clock operation/stop can be set for each functional block.
    - Sensor interrupt wait mode:
      - Start /stop of finger sensor clock output and internal PLL are selectable.
    - STOP mode:
      - Start /stop of internal PLL and OSC oscillator circuit are selectable.
  
- Package
  - 144-pin LFBGA (P-LFBGA144-1111-0.80)

**BLOCK DIAGRAM**

Figure 1 shows a block diagram of this LSI.



**Figure 1 Block Diagram**

**PINS**

**Pin Layout**

TEST0	GNDIO	PB07	PB05	PB03T	VDDIO	PB00X	VDD CORE	XD08	XD07	XD06	TEST1	TESTF	13
XBNS0	XBSN1	PB06	GND CORE	XD15	XD14	GNDIO	XD10	XD09	GND CORE	PC13	PC12	PC11	12
VDDIO	XIO1 CSN	PB08	VDD CORE	PB04	PB02	XD13	XD12	VDDIO	PC14	PC10	PC08	XD05	11
PB09	PB10	XIO0 CSN	XWAIT0N	XWAIT1N	JTAGE	PB01	XD11	PC15	GNDIO	PC09	XD03	XD04	10
XREN	XROM CSN	XWEN	GNDIO	<b>P-LFBGA-144-1111-0.80</b> <b>(Bottom View)</b>					XD01	VDDIO	XD00	XD02	9
XRAMCSN	PB11	GND CORE	PB12						TEST2	PC06	PC07	GNDIO	8
VDDIO	XA01	VDD CORE	XA00						PC04	VDDIO	PC05	PC03	7
XA04	GNDIO	XA02	XA03						PC02	TEST3	PC01	PC00	6
VDDIO	XA05	XA08	XA06						PA13	GND CORE	GNDIO	PA12	5
XA09	XA07	XA11	XA16	PA01	XA21	PA05	PA06	XI	N.C.	VDDIO	VDD CORE	DM	4
XA12	XA10	GNDIO	XA18	XA19	N.C.	PA04	BOOTP	PLL VDD	PA08	VDD CORE	N.C.	DP	3
XA13	XA14	VDD CORE	PA00	VDDIO	XA20	N.C.	PA07	XO	PLL GND	GND CORE	GNDIO	PUCTL	2
VDDIO	GND CORE	XA15	XA17	GNDIO	PA02	PA03	GNDIO	VDDIO	RESET N	PA09	PA10	PA11	1
N	M	L	K	J	H	G	F	E	D	C	B	A	

## Pin List

Pin No.	Pin name	I/O	Polarity (*2)	Description		Schmitt	PU/PD (*1)	Drive capability	5V Tolerant	Initial direction	Initial value
				Primary function	Secondary function						
Clock											
E4	XI	—	—	Oscillation pin	—	—	—	—	—	I	—
E2	XO	—	—	Oscillation pin	—	—	—	—	—	O	—
Reset											
D1	RESETN	I	N	System reset input	—	S	PU	4mA	—	I	—
JTAG											
H10	JTAGE	I	P	JTAG enable	—	S	PD	4mA	—	I	—
GPIO											
D5	PA13	I/O	P	General-purpose port A13	External interrupt input (Interrupt No. 30)	S	PD	4mA	—	I	—
A5	PA12	I/O	P	General-purpose port A12	Clock output (for sensor)	—	PD	4mA	—	I	—
A1	PA11	I	P	General-purpose port A11	External interrupt input (USB VBUS interrupt)	S	—	—	○	I	—
B1	PA10	I/O	P	General-purpose port A10	External interrupt input (Interrupt No. 28)	S	PD	4mA	—	I	—
C1	PA09	I/O	P	General-purpose port A9	External interrupt input (Interrupt No. 26)	S	PD	4mA	—	I	—
D3	PA08	I/O	P	General-purpose port A8	External FIQ interrupt input	S	PD	4mA	—	I	—
F2	PA07	I/O	P	General-purpose port A7	—	—	PD	4mA	—	I	—
F4	PA06	I/O	P	General-purpose port A6	Smartcard IF clock	—	PD	4mA	—	I	—
G4	PA05	I/O	P	General-purpose port A5	Smartcard IF reset	—	PD	4mA	—	I	—
G3	PA04	I/O	P	General-purpose port A4	Smartcard IF serial data	—	PD	4mA	—	I	—
G1	PA03	I/O	P	General-purpose port A3	Smartcard IF power control	—	PD	4mA	—	I	—
H1	PA02	I/O	P	General-purpose port A2	Smartcard IF voltage control 1	—	PD	4mA	—	I	—
J4	PA01	I/O	P	General-purpose port A1	Smartcard IF voltage control 0	—	PD	4mA	—	I	—
K2	PA00	I/O	P	General-purpose port A0	Smartcard IF card detection	—	PD	4mA	—	I	—
K8	PB12	I/O	P	General-purpose port B12	SIO receive data input	—	PD	4mA	—	I	—
M8	PB11	I/O	P	General-purpose port B11	SIO transmit data output	—	PD	4mA	—	I	—
M10	PB10	I/O	P	General-purpose port B10	FTM2 FTMIN[2]/FTMOUT[2] INOUT	—	PD	4mA	—	I	—
N10	PB09	I/O	P	General-purpose port B09	FTM1 FTMCLK[1] IN/FTMIN[1]/FTMOUT[1] INOUT	—	PD	4mA	—	I	—
L11	PB08	I/O	P	General-purpose port B08	FTM0 FTMCLK[0] IN/FTMIN[0]/FTMOUT[0] INOUT	—	PD	4mA	—	I	—
L13	PB07	I/O	P	General-purpose port B07	JTAG clock	S	PD	4mA	—	I	—

Pin No.	Pin name	I/O	Polarity (*2)	Description		Schmitt	PU/PD (*1)	Drive capability	5V Tolerant	Initial direction	Initial value
				Primary function	Secondary function						
L12	PB06	I/O	P	General-purpose port B06	JTAG mode setting	S	PD	4mA	—	I	—
K13	PB05	I/O	P	General-purpose port B05	JTAG data input	S	PD	4mA	—	I	—
J11	PB04	I/O	P	General-purpose port B04	JTAG data output	—	PD	4mA	—	I	—
J13	PB03	I/O	P	General-purpose port B03	JTAG reset	S	PD	4mA	—	I	—
H11	PB02	I/O	P	General-purpose port B02	SSIO communication clock input/output	S	PD	4mA	—	I	—
G10	PB01	I/O	P	General-purpose port B01	SSIO receive data input	—	PD	4mA	—	I	—
G13	PB00	I/O	P	General-purpose port B00	SSIO transmit data output	—	PD	4mA	—	I	—
E10	PC15	I/O	P	General-purpose port C15	—	—	—	4mA	—	I	—
D11	PC14	I/O	P	General-purpose port C14	—	—	—	4mA	—	I	—
C12	PC13	I/O	P	General-purpose port C13	—	—	—	4mA	—	I	—
B12	PC12	I/O	P	General-purpose port C12	—	—	—	4mA	—	I	—
A12	PC11	I/O	P	General-purpose port C11	—	—	PD	4mA	—	I	—
C11	PC10	I/O	P	General-purpose port C10	—	—	PD	4mA	—	I	—
C10	PC09	I/O	P	General-purpose port C9	—	—	PD	4mA	—	I	—
B11	PC08	I/O	P	General-purpose port C8	—	—	PD	4mA	—	I	—
B8	PC07	I/O	P	General-purpose port C7	SPI ch1 transmit/receive clock	S	PD	4mA	—	I	—
C8	PC06	I/O	P	General-purpose port C6	SPI ch1 slave select	S	PD	4mA	—	I	—
B7	PC05	I/O	P	General-purpose port C5	SPI ch1 master input/slave output	—	PD	4mA	—	I	—
D7	PC04	I/O	P	General-purpose port C4	SPI ch1 master output/slave input	—	PD	4mA	—	I	—
A7	PC03	I/O	P	General-purpose port C3	SPI ch0 transmit/receive clock	S	PD	4mA	—	I	—
D6	PC02	I/O	P	General-purpose port C2	SPI ch0 slave select	S	PD	4mA	—	I	—
B6	PC01	I/O	P	General-purpose port C1	SPI ch0 master input/slave output	—	PD	4mA	—	I	—
A6	PC00	I/O	P	General-purpose port C0	SPI ch0 master output/slave input	—	PD	4mA	—	I	—
USB FS Device											
A4	DM	I/O	P	USB dev D-	—	—	—	—	—	—	—
A3	DP	I/O	P	USB dev D+	—	—	—	—	—	—	—
A2	PUCTL	O	P	USB dev pull-up control	—	—	—	4mA	—	—	—
External Memory Bus											
H4	XA21	O	P	External bus address signal	—	—	—	4mA	—	O	—
H2	XA20	O	P	External bus address signal	—	—	—	4mA	—	O	—
J3	XA19	O	P	External bus address signal	—	—	—	4mA	—	O	—
K3	XA18	O	P	External bus address signal	—	—	—	4mA	—	O	—
K1	XA17	O	P	External bus address signal	—	—	—	4mA	—	O	—
K4	XA16	O	P	External bus address signal	—	—	—	4mA	—	O	—
L1	XA15	O	P	External bus address signal	—	—	—	4mA	—	O	—
M2	XA14	O	P	External bus address signal	—	—	—	4mA	—	O	—
N2	XA13	O	P	External bus address signal	—	—	—	4mA	—	O	—



Pin No.	Pin name	I/O	Polarity (*2)	Description		Schmitt	PU/PD (*1)	Drive capability	5V Tolerant	Initial direction	Initial value
				Primary function	Secondary function						
N3	XA12	O	P	External bus address signal	—	—	—	4mA	—	O	0
L4	XA11	O	P	External bus address signal	—	—	—	4mA	—	O	0
M3	XA10	O	P	External bus address signal	—	—	—	4mA	—	O	0
N4	XA09	O	P	External bus address signal	—	—	—	4mA	—	O	0
L5	XA08	O	P	External bus address signal	—	—	—	4mA	—	O	0
M4	XA07	O	P	External bus address signal	—	—	—	4mA	—	O	0
K5	XA06	O	P	External bus address signal	—	—	—	4mA	—	O	0
M5	XA05	O	P	External bus address signal	—	—	—	4mA	—	O	0
N6	XA04	O	P	External bus address signal	—	—	—	4mA	—	O	0
K6	XA03	O	P	External bus address signal	—	—	—	4mA	—	O	0
L6	XA02	O	P	External bus address signal	—	—	—	4mA	—	O	0
M7	XA01	O	P	External bus address signal	—	—	—	4mA	—	O	0
K7	XA00	O	P	External bus address signal	—	—	—	4mA	—	O	0
J12	XD15	I/O	P	External bus data signal	—	S	PU	4mA	—	I	—
H12	XD14	I/O	P	External bus data signal	—	S	PU	4mA	—	I	—
G11	XD13	I/O	P	External bus data signal	—	S	PU	4mA	—	I	—
F11	XD12	I/O	P	External bus data signal	—	S	PU	4mA	—	I	—
F10	XD11	I/O	P	External bus data signal	—	S	PU	4mA	—	I	—
F12	XD10	I/O	P	External bus data signal	—	S	PU	4mA	—	I	—
E12	XD09	I/O	P	External bus data signal	—	S	PU	4mA	—	I	—
E13	XD08	I/O	P	External bus data signal	—	S	PU	4mA	—	I	—
D13	XD07	I/O	P	External bus data signal	—	S	PU	4mA	—	I	—
C13	XD06	I/O	P	External bus data signal	—	S	PU	4mA	—	I	—
A11	XD05	I/O	P	External bus data signal	—	S	PU	4mA	—	I	—
A10	XD04	I/O	P	External bus data signal	—	S	PU	4mA	—	I	—
B10	XD03	I/O	P	External bus data signal	—	S	PU	4mA	—	I	—
A9	XD02	I/O	P	External bus data signal	—	S	PU	4mA	—	I	—
D9	XD01	I/O	P	External bus data signal	—	S	PU	4mA	—	I	—
B9	XD00	I/O	P	External bus data signal	—	S	PU	4mA	—	I	—
M9	XROMCSN	O	N	External ROM chip select	—	—	—	4mA	—	O	1
N8	XRAMCSN	O	N	External RAM chip select	—	—	—	4mA	—	O	1
L10	XIO0CSN	O	N	External IO0 chip select	—	—	—	4mA	—	O	1
M11	XIO1CSN	O	N	External IO1 chip select	—	—	—	4mA	—	O	1
N9	XREN	O	N	External memory read enable	—	—	—	4mA	—	O	1
L9	XWEN	O	N	External memory write enable	—	—	—	4mA	—	O	1
M12	XBSN1	O	N	External memory byte select	—	—	—	4mA	—	O	1
N12	XBSN0	O	N	External memory byte select	—	—	—	4mA	—	O	1
K10	XWAIT0N	I	N	External IO0 access wait	—	S	PU	4mA	—	I	—
J10	XWAIT1N	I	N	External IO1 access wait	—	S	PU	4mA	—	I	—

Pin No.	Pin name	I/O	Polarity (*2)	Description		Schmitt	PU/PD (*1)	Drive capability	5V Tolerant	Initial direction	Initial value
				Primary function	Secondary function						
For System											
F3	BOOTP	I	P	Boot device select 1	—	S	PU	4mA	—	I	—
For Testing											
A13	TESTF	I	P	Test pin	—	—	—	—	—	I	—
N13	TEST0	I	P	Test mode select signal 0	—	S	PD	4mA	—	I	—
B13	TEST1	I	P	Test mode select signal 1	—	S	PD	4mA	—	I	—
D8	TEST2	I	P	Test mode select signal 2	—	S	PD	4mA	—	I	—
C6	TEST3	I	P	Test mode select signal 3	—	S	PD	4mA	—	I	—

\*1: PU/PD column:

PU: Pulled up with a built-in resistor

PD: Pulled down with a built-in resistor

\*2: Polarity column:

P: Positive

N: Negative

**Other Pins (Power supply pins, Unused pins)**

Pin name	Description	Pin No.	Pin count
VDDCORE	Core power supply	C3, L2, L7, K11, F13, B4	6
GNDCORE	Core GND	C2, M1, L8, K12, D12, C5	6
VDDIO	IO power supply	E1, J2, N1, N5, N7, N11, H13, E11, C9, C7, C4	11
GNDIO	IO GND	F1, J1, L3, M6, K9, M13, G12, D10, A8, B5, B2	11
PLLVDD	PLL power supply	E3	1
PLLGND	PLL GND	D2	1
N.C.	Unused pin	G2, H3, B3, D4	4

## ELECTRICAL CHARACTERISTICS

### ABSOLUTE MAXIMUM RATINGS

Parameter	Symbol	Condition	Rating	Unit	
Digital power supply voltage CORE (2.5V)	$V_{DD\_CORE}$	—	-0.3 to +3.6	V	
Digital power supply voltage I/O (3.3V)	$V_{DD\_IO}$		-0.3 to +4.6		
Input voltage (normal buffer)	$V_I$		-0.3 to $V_{DD\_IO}+0.3$		
Input voltage (5 V tolerant)			$V_{DD\_IO} = 3.0 \text{ V to } 3.6 \text{ V}$		-0.3 to 6.0
			$V_{DD\_IO} < 3.0 \text{ V}$		-0.3 to $V_{DD\_IO}+0.3$
Output voltage (normal buffer)	$V_O$		-0.3 to $V_{DD\_IO}+0.3$		
Output voltage (5 V tolerant)		$V_{DD\_IO} = 3.0 \text{ V to } 3.6 \text{ V}$	-0.3 to 6.0		
		$V_{DD\_IO} < 3.0 \text{ V}$	-0.3 to $V_{DD\_IO}+0.3$		
PLL power supply voltage (PLL)	$V_{DD\_PLL}$	—	-0.3 to +3.6	mA	
Input allowable current	$I_I$		-10 to +10		
“H” output allowable current	$I_{OH}$		+14		
“L” output allowable current	$I_{OL}$		-14		
Power dissipation	$P_D$	$T_a = 85^\circ\text{C}$ (per package)	600	mW	
Storage temperature	$T_{STG}$	—	-50 to 150	$^\circ\text{C}$	

### Guaranteed Operating Ranges

(GND = 0 V)

Parameter	Symbol	Condition	Min.	Typ.	Max.	Unit
Digital power supply voltage (CORE) (*1)	$V_{DD\_CORE}$	—	2.25	2.5	2.75	V
Digital power supply voltage (I/O)	$V_{DD\_IO}$		3.0	3.3	3.6	
PLL power supply voltage (PLL) (*1)	$V_{DD\_PLL}$		2.25	2.5	2.75	
CPU operating frequency	$f_{OSC}$	—	—	32	—	MHz
Ambient temperature	$T_a$	Other than below	-40	25	85	$^\circ\text{C}$
	$T_{a\_flwrite}$	- When enrolling fingerprints - When rewriting Flash memory	-40	25	70	$^\circ\text{C}$

\* 1: Please supply from same power source to both  $V_{DD\_CORE}$  pins and  $V_{DD\_PLL}$  pin.

## – Internal Flash ROM

(V<sub>DD\_CORE</sub> = 2.25 to 2.75 V, V<sub>DD\_IO</sub> = 3.0 to 3.6 V, T<sub>a</sub> = –40 to +85°C)

Parameter	Symbol	Condition	Min.	Typ.	Max.	Unit
Guaranteed ambient temperature for write operations	T <sub>a_flwrite</sub>	—	–40	25	70	°C
Guaranteed ambient temperature for read operations	T <sub>a_flread</sub>	—	–40	25	85	
Flash write count	C <sub>WR_CODE</sub>	Program code rewrite T <sub>a_flwrite</sub> = –40 to +70°C	—	—	100	—
	C <sub>WR_DATA01</sub>	Fingerprint template data rewrite (for 1-finger enrollment) T <sub>a_flwrite</sub> = –40 to +70°C	—	—	10,000	—
	C <sub>WR_DATA15</sub>	Fingerprint template data rewrite (for 15-finger enrollment) T <sub>a_flwrite</sub> = –40 to +70°C	—	—	1,000	—

## DC Characteristics

– DC characteristics (Core/IO)

( $V_{DD\_CORE} = 2.25$  to  $2.75$  V,  $V_{DD\_IO} = 3.0$  to  $3.6$  V,  $T_a = -40$  to  $+85^\circ\text{C}$ )

Parameter	Symbol	Condition	Min.	Typ.	Max.	Unit	
“H” input voltage	$V_{IH}$	—	2.0	—	$V_{DD\_IO} + 0.3$	V	
“L” input voltage	$V_{IL}$		−0.3	—	0.8		
Schmitt trigger input threshold voltage (3.3 V)	$V_{T+}$		—	—	$V_{DD\_IO} \times 0.7$		
	$V_{T-}$		$V_{T+} - V_{T-}$	$V_{DD\_IO} \times 0.2$	—		—
	$\Delta V_T$			$V_{DD\_IO} \times 0.1$	—		—
Schmitt trigger input threshold voltage (5 V tolerant)	$V_{T+}$		—	—	—		$V_{DD\_IO} \times 0.7$
	$V_{T-}$	$V_{DD\_IO} \times 0.2$		—	—		
	$\Delta V_T$	$V_{T+} - V_{T-}$		$V_{DD\_IO} \times 0.1$	—	—	
“H” output voltage	$V_{OH}$	$I_{OH} = -4$ mA	2.4	—	—		
“L” output voltage	$V_{OL}$	$I_{OL} = 4$ mA	—	—	0.4		
High level input current (*1)	$I_{IH}$	$V_{IH} = V_{DD\_IO}$	—	—	10	$\mu\text{A}$	
High level input current (*2)		50 k $\Omega$ pull-down	10	66	200		
		$V_{IH} = V_{DD\_IO}$	—	—	10		
Low level input current (*1)	$I_{IL}$	$V_{IL} = 0$ V	−10	—	—		
		50 k $\Omega$ pull-up	−200	−66	−10		
Low level input current (*2)		$V_{IL} = 0$ V	−10	—	—		
3-state output leakage current	$I_{OZH}$	$V_{OH} = V_{DD\_IO}$	—	—	10	$\mu\text{A}$	
		50 k $\Omega$ pull-down	10	66	200		
	$I_{OZL}$	$V_{OL} = 0$ V	−10	—	—		
Supply current (during STOP) (*4)	$I_{DDS1\_CORE}$	$V_{DD\_CORE} = 2.75$ V, $T_a = 85^\circ\text{C}$	—	—	1000	$\mu\text{A}$	
		$V_{DD\_CORE} = 2.5$ V, $T_a = 25^\circ\text{C}$	—	25	—		
	$I_{DDS1\_IO}$	$V_{DD\_IO} = 3.6$ V (*3), $T_a = 85^\circ\text{C}$	—	—	200		
		$V_{DD\_IO} = 3.3$ V (*3), $T_a = 25^\circ\text{C}$	—	4	—		
	$I_{DDS1\_PLL}$	$V_{DD\_PLL} = 2.75$ V, $T_a = 85^\circ\text{C}$	—	—	50		
		$V_{DD\_PLL} = 2.5$ V, $T_a = 25^\circ\text{C}$	—	1	—		
Supply current (during operation) (*5)	$I_{DDO\_CORE}$	$f_{OSC} = 32.0$ MHz, no load	—	85	115	mA	
	$I_{DDO\_IO}$		—	7	15		
	$I_{DDO\_PLL}$		—	6	10		

\* 1: Pins other than 5 V tolerant pins

\* 2: 5 V tolerant pins

\* 3: Input ports:  $V_{DD\_IO}$  or 0V

Other ports: No load excluding the current flowing in pull-up/pull-down resistors

\* 4: LSI supply current when going into LSI stop mode by stopping clock oscillation, PLL operation, and random number generator operation and setting USB power-down mode.

\* 5: The current supplied to the LSI when fingerprint authentication is executed without USB operation under the conditions that the programs are stored in the built-in Flash ROM and no external memory are connected.

## – DC characteristics (USB)

(V<sub>DD\_CORE</sub> = 2.25 to 2.75V, V<sub>DD\_IO</sub> = 3.0 to 3.6V, T<sub>a</sub> = -40 to +85°C)

Parameter	Symbol	Condition	Min.	Typ. (*1)	Max.	Unit
Differential input sensitivity	V <sub>DI</sub>	Absolute value of the difference between the DP and DM pins	0.2	—	—	V
Differential common mode range	V <sub>CM</sub>	Includes VDI range	0.8	—	2.5	V
Single end input threshold voltage	V <sub>SE</sub>		0.8	—	2.0	V
High level output voltage	V <sub>OH</sub>	15K W RL is connected to GND	2.8	—	—	V
Low level output voltage	V <sub>OL</sub>	1.5K W RL to 3.6 V	—	—	0.3	V
Hi-Z state input/output leakage current	I <sub>LO</sub>	0 V < V <sub>IN</sub> < 3.3 V	-10		10	μA
Driver output resistance (*2)	Z <sub>DRV</sub>	Steady state	28		44	Ω

\*1: "Typ.": V<sub>DD\_IO</sub> = 3.3 V, V<sub>DD\_CORE</sub> = 2.5 V, T<sub>j</sub> = 25°C\*2: Z<sub>DRV</sub> includes the resistance of external serial resistors (24Ω±1%).

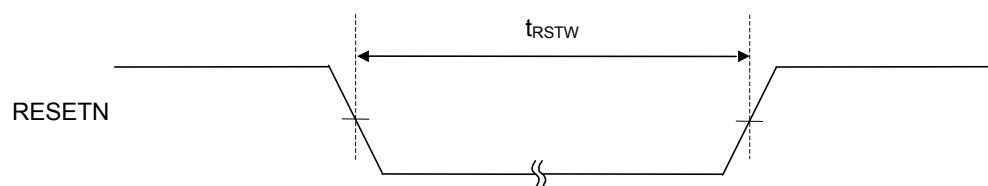
**AC Characteristics**

## – Reset Timing

 $(V_{DD\ CORE} = 2.25 \text{ to } 2.75 \text{ V}, V_{DD\ IO} = 3.0 \text{ to } 3.6 \text{ V}, T_a = -40 \text{ to } +85^\circ\text{C})$ 

Parameter	Symbol	Condition	Min.	Typ.	Max.	Unit
Reset pulse width	$t_{RSTW}$	—	6.0	—	—	ms

## ○ Reset timing



\*When power on, release the reset after the clock oscillation stabilization



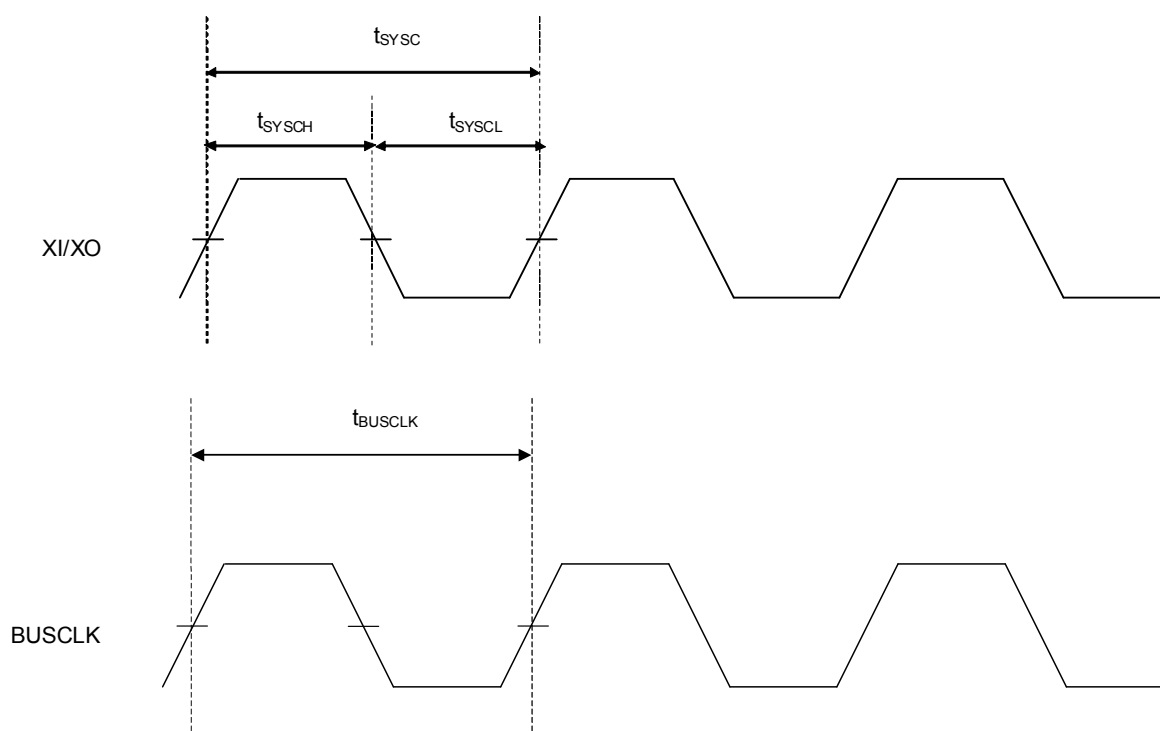
## – Main Clock Timing

(V<sub>DD\_CORE</sub> = 2.25 to 2.75 V, V<sub>DD\_IO</sub> = 3.0 to 3.6 V, Ta = –40 to +85°C)

Parameter	Symbol	Condition	Min.	Typ.	Max.	Unit
Main clock (XI/XO) frequency	f <sub>SYSC</sub>	—	12 × 0.9975	12	12 × 1.0025	MHz
Main clock (XI/XO) cycle	t <sub>SYSC</sub>	—	83.33 × 0.9975	83.33	83.33 × 1.0025	ns
Main clock (XI/XO) H pulse width	t <sub>SYSCH</sub>	—	0.45 × t <sub>SYSC</sub>	—	0.55 × t <sub>SYSC</sub>	ns
Main clock (XI/XO) L pulse width	t <sub>SYSC_L</sub>	—	0.45 × t <sub>SYSC</sub>	—	0.55 × t <sub>SYSC</sub>	ns
Bus clock cycle (*1)	t <sub>BUSCLK</sub>	—	—	31.25	—	ns

\* 1: Main system bus clock within the LSI and operating clocks of CPU, DMA, etc.

## ○ Main clock timing



## – External ROM/RAM Timing

## ○ Access from CPU

(V<sub>DD\_CORE</sub> = 2.25 to 2.75 V, V<sub>DD\_IO</sub> = 3.0 to 3.6 V, Ta = -40 to +85°C)

Parameter	Symbol	Condition	Min.	Typ.	Max.	Unit
XROMCSN, XRAMCSN output delay time 1	t <sub>XCS1</sub>	C <sub>L</sub> = 15 pF	—	—	4	ns
XROMCSN, XRAMCSN output delay time 2	t <sub>XCS2</sub>		—	—	0.5*t <sub>BUSCLK</sub> + 8	
XROMCSN, XRAMCSN output hold time 1	t <sub>XCSH1</sub>		-6	—	—	
XROMCSN, XRAMCSN output hold time 2	t <sub>XCSH2</sub>		0.5*t <sub>BUSCLK</sub> - 6	—	—	
XA output delay time 1	t <sub>XAD1</sub>		—	—	4	
XA output delay time 2	t <sub>XAD2</sub>		—	—	0.5*t <sub>BUSCLK</sub> + 8	
XA output hold time 1	t <sub>XAH1</sub>		-6	—	—	
XA output hold time 2	t <sub>XAH2</sub>		0	—	—	
XA pulse width 1	t <sub>XAW1</sub>		t <sub>RWIDTH</sub> - 12	—	t <sub>RWIDTH</sub> + 12	
XBSn output delay time 1	t <sub>XBSD1</sub>		—	—	4	
XBSn output delay time 2	t <sub>XBSD2</sub>		—	—	0.5*t <sub>BUSCLK</sub> + 8	
XBSn output hold time 1	t <sub>XBSH1</sub>		-6	—	—	
XBSn output hold time 2	t <sub>XBSH2</sub>		0.5*t <sub>BUSCLK</sub> - 6	—	—	
XBSn pulse width 1	t <sub>XBSW1</sub>		t <sub>RWIDTH</sub> - 12	—	t <sub>RWIDTH</sub> + 12	
XWEN pulse width 1	t <sub>XWEW1</sub>		t <sub>WWIDTH</sub> - 13	—	t <sub>WWIDTH</sub> + 13	
XD input setup time 1	t <sub>XDIS1</sub>		22.5	—	—	
XD input setup time 2	t <sub>XDIS2</sub>		22.5	—	—	
XD input hold time 1	t <sub>XDIH1</sub>		0	—	—	
XD input hold time 2	t <sub>XDIH2</sub>		0	—	—	
XD output delay time 1	t <sub>XDOD1</sub>		0.5*t <sub>BUSCLK</sub> - 13	—	—	
XD output hold time 1	t <sub>XDOH1</sub>	0	—	—		

t<sub>RWIDTH</sub>: RE pulse width (set by register)t<sub>WWIDTH</sub>: WE pulse width (set by register)

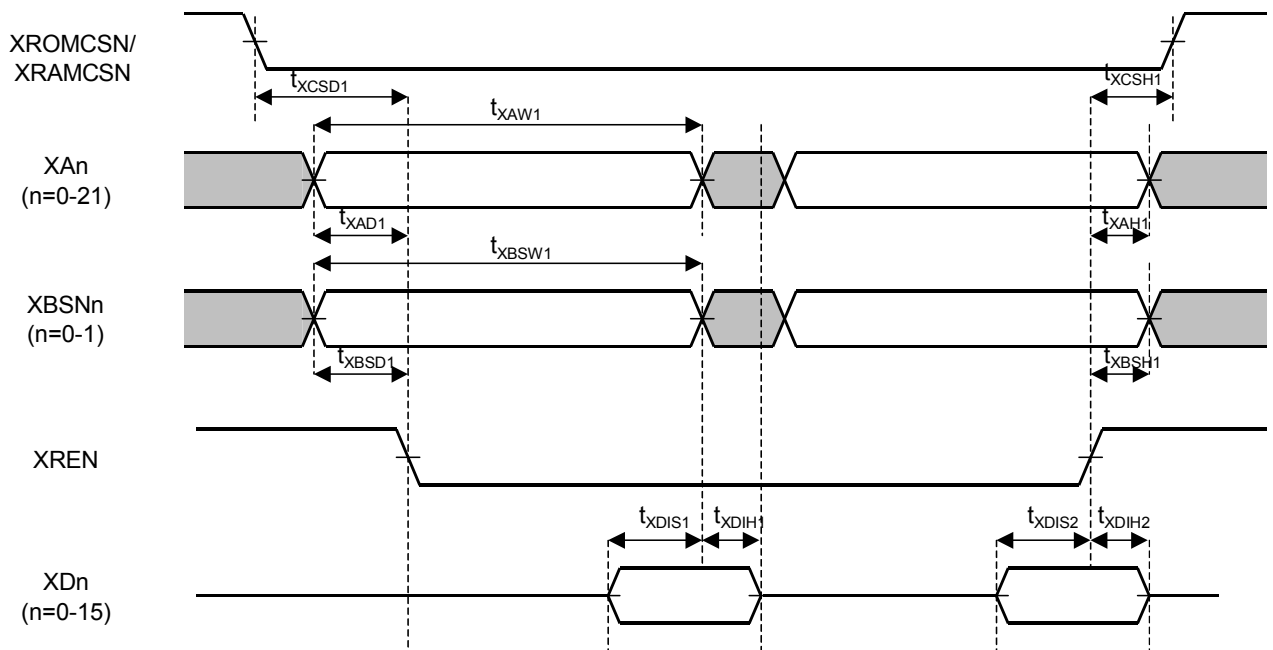
## ○ Access by DMA

(V<sub>DD\_CORE</sub> = 2.25 to 2.75 V, V<sub>DD\_IO</sub> = 3.0 to 3.6 V, Ta = -40 to +85°C)

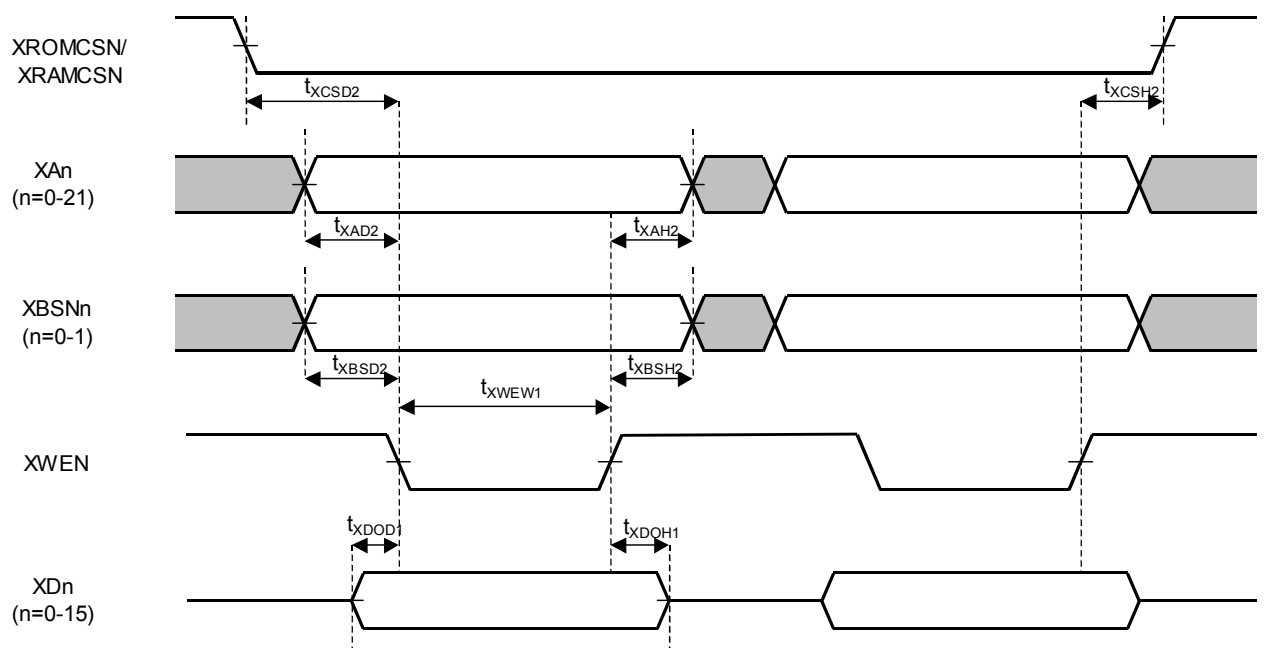
Parameter	Symbol	Condition	Min.	Typ.	Max.	Unit
XROMCSN, XRAMCSN output delay time 1	t <sub>XCS1</sub>	C <sub>L</sub> = 15 pF	—	—	1*t <sub>BUSCLK</sub> +4	ns
XROMCSN, XRAMCSN output delay time 2	t <sub>XCS2</sub>		—	—	0.5*t <sub>BUSCLK</sub> +8	
XROMCSN, XRAMCSN output hold time 1	t <sub>XCSH1</sub>		1*t <sub>BUSCLK</sub> -6	—	—	
XROMCSN, XRAMCSN output hold time 2	t <sub>XCSH2</sub>		0.5*t <sub>BUSCLK</sub> -6	—	—	
XA output delay time 1	t <sub>XAD1</sub>		—	—	1*t <sub>BUSCLK</sub> +4	
XA output delay time 2	t <sub>XAD2</sub>		—	—	1.5*t <sub>BUSCLK</sub> +10	
XA output hold time 1	t <sub>XAH1</sub>		1*t <sub>BUSCLK</sub> -6	—	—	
XA output hold time 2	t <sub>XAH2</sub>		0	—	—	
XA pulse width 1	t <sub>XAW1</sub>		t <sub>BUSCLK</sub> + t <sub>RWIDTH</sub> -12	—	t <sub>BUSCLK</sub> + t <sub>RWIDTH</sub> +12	
XBSn output delay time 1	t <sub>XBSD1</sub>		—	—	1*t <sub>BUSCLK</sub> +4	
XBSn output delay time 2	t <sub>XBSD2</sub>		—	—	1.5*t <sub>BUSCLK</sub> +8	
XBSn output hold time 1	t <sub>XBSH1</sub>		1*t <sub>BUSCLK</sub> -6	—	—	
XBSn output hold time 2	t <sub>XBSH2</sub>		0.5*t <sub>BUSCLK</sub> -6	—	—	
XBSn pulse width 1	t <sub>XBSW1</sub>		t <sub>BUSCLK</sub> + t <sub>RWIDTH</sub> -12	—	t <sub>BUSCLK</sub> + t <sub>RWIDTH</sub> +12	
XWEN pulse width 1	t <sub>XWEW1</sub>		t <sub>WWIDTH</sub> -15	—	t <sub>WWIDTH</sub> +15	
XD input setup time 1	t <sub>XDIS1</sub>		22.5	—	—	
XD input setup time 2	t <sub>XDIS2</sub>		22.5	—	—	
XD input hold time 1	t <sub>XDIH1</sub>		0	—	—	
XD input hold time 2	t <sub>XDIH2</sub>		0	—	—	
XD output delay time 1	t <sub>XDOD1</sub>		1.5*t <sub>BUSCLK</sub> - 13	—	—	
XD output hold time 1	t <sub>XDOH1</sub>	0	—	—		

t<sub>RWIDTH</sub>: RE pulse width (set by register)t<sub>WWIDTH</sub>: WE pulse width (set by register)

○ External ROM/RAM read timing



○ External ROM/RAM write timing



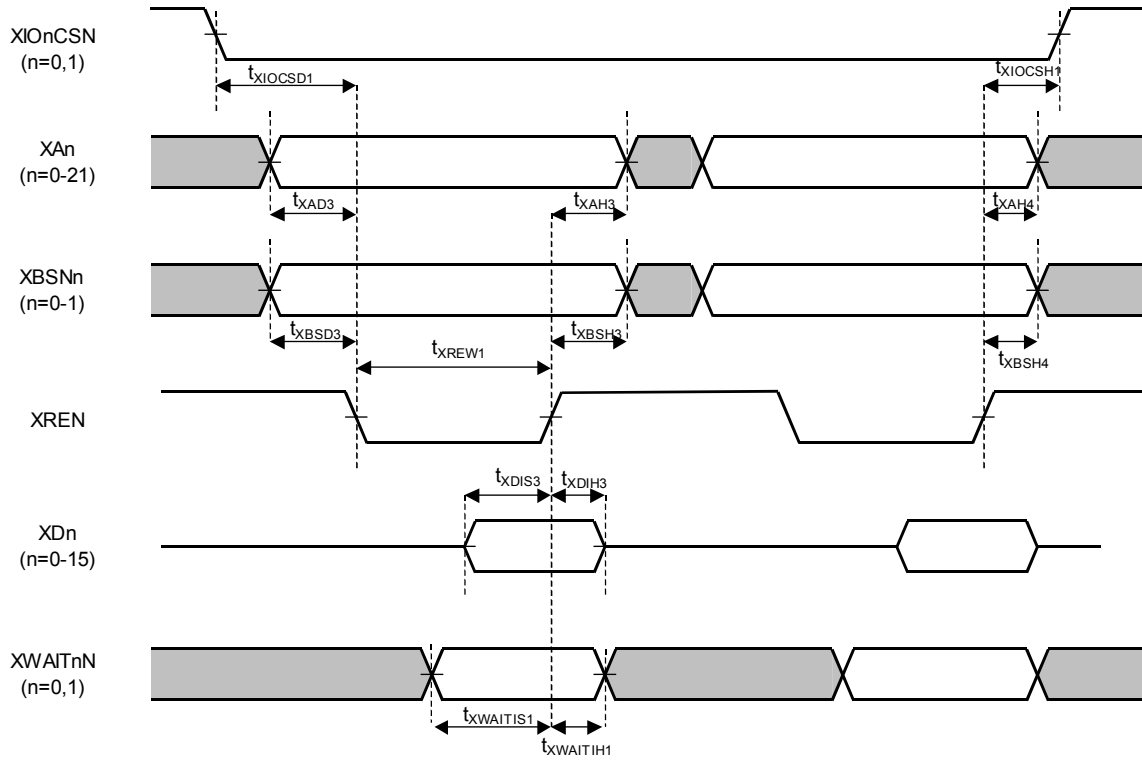
## – External IO0, 1 Timing

(V<sub>DD\_CORE</sub> = 2.25 to 2.75 V, V<sub>DD\_IO</sub> = 3.0 to 3.6 V, Ta = –40 to +85°C)

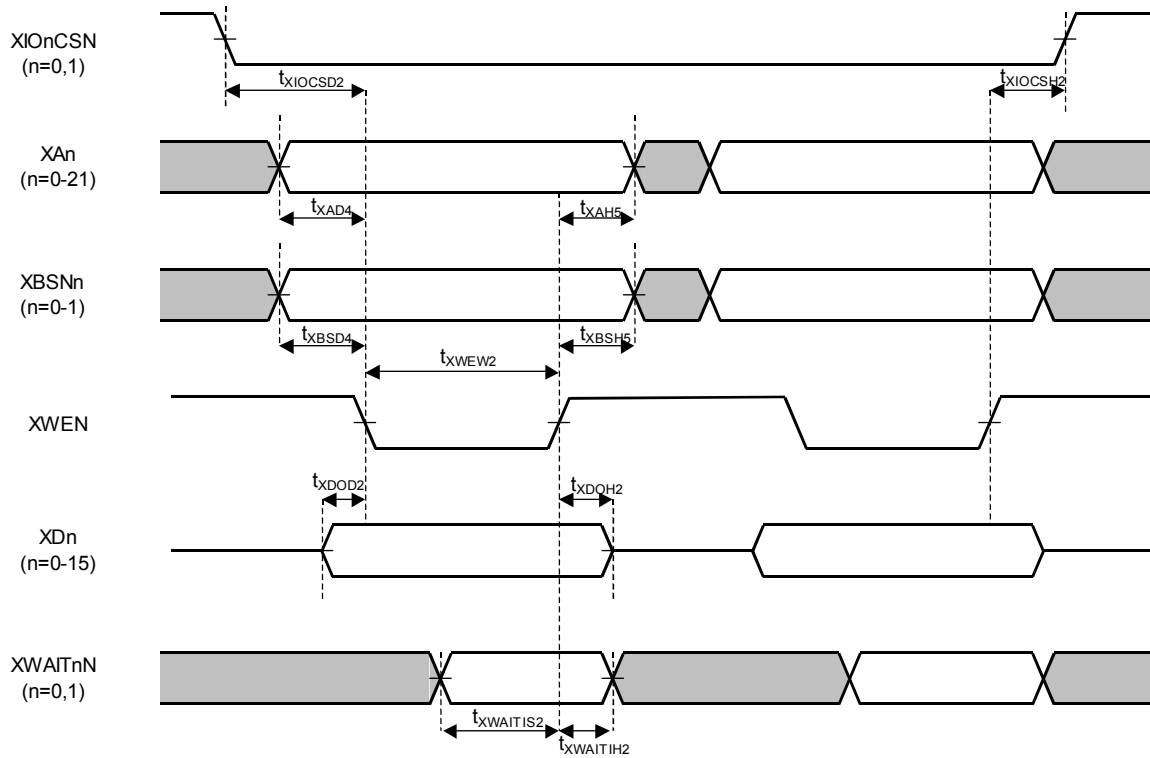
Parameter	Symbol	Condition	Min.	Typ.	Max.	Unit
XIOncSN (n = 0,1) output delay time 1	t <sub>XIOcSD1</sub>	C <sub>L</sub> = 15 pF	—	—	t <sub>IOAS</sub> + 8	ns
XIOncSN (n = 0,1) output delay time 2	t <sub>XIOcSD2</sub>		—	—	1*t <sub>BUSCLK</sub> + t <sub>IOAS</sub> + 8	
XIOncSN (n=0,1) output hold time 1	t <sub>XIOcSH1</sub>		1*t <sub>BUSCLK</sub> – 6	—	—	
XIOncSN (n = 0,1) output hold time 2	t <sub>XIOcSH2</sub>		1*t <sub>BUSCLK</sub> – 6	—	—	
XA output delay time 3	t <sub>XAD3</sub>		—	—	t <sub>IOAS</sub> + 8	
XA output delay time 4	t <sub>XAD4</sub>		—	—	1*t <sub>BUSCLK</sub> + t <sub>IOAS</sub> + 8	
XA output hold time 3	t <sub>XAH3</sub>		–6	—	—	
XA output hold time 4	t <sub>XAH4</sub>		1*t <sub>BUSCLK</sub> – 6	—	—	
XA output hold time 5	t <sub>XAH5</sub>		1*t <sub>BUSCLK</sub> – 6	—	—	
XBSn output delay time 3	t <sub>XBSD3</sub>		—	—	t <sub>IOAS</sub> + 8	
XBSn output delay time 4	t <sub>XBSD4</sub>		—	—	1*t <sub>BUSCLK</sub> + t <sub>IOAS</sub> + 8	
XBSn output hold time 3	t <sub>XBSH3</sub>		–6	—	—	
XBSn output hold time 4	t <sub>XBSH4</sub>		1*t <sub>BUSCLK</sub> – 6	—	—	
XBSn output hold time 5	t <sub>XBSH5</sub>		1*t <sub>BUSCLK</sub> – 6	—	—	
XREN pulse width 1	t <sub>XREW1</sub>		t <sub>IOWWIDTH</sub> – 10	—	t <sub>IOWWIDTH</sub> + 10	
XWEN pulse width 2	t <sub>XWEW2</sub>		t <sub>IOWWIDTH</sub> – 10	—	t <sub>IOWWIDTH</sub> + 10	
XD input setup time 3	t <sub>XDIS3</sub>		20	—	—	
XD input hold time 3	t <sub>XDIH3</sub>		0	—	—	
XD output delay time 2	t <sub>XDOD2</sub>		t <sub>IOAS</sub> – 13	—	—	
XD output hold time 2	t <sub>XDOH2</sub>		1*t <sub>BUSCLK</sub> – 15	—	—	
XWAITn (n = 0,1) input setup time 1	t <sub>XWAITIS1</sub>		1*t <sub>BUSCLK</sub> + 20	—	—	
XWAITn (n = 0,1) input setup time 2	t <sub>XWAITIS2</sub>		1*t <sub>BUSCLK</sub> + 20	—	—	
XWAITn (n = 0,1) input hold time 1	t <sub>XWAITIH1</sub>		5 – 1*t <sub>BUSCLK</sub>	—	—	
XWAITn (n = 0,1) input hold time 2	t <sub>XWAITIH2</sub>		5 – 1*t <sub>BUSCLK</sub>	—	—	

t<sub>IOAS</sub>: Address setup cycle (set by register)t<sub>IOWWIDTH</sub>: RE pulse width (set by register)t<sub>IOWWIDTH</sub>: WE pulse width (set by register)

○ External IO0, 1 read timing



○ External IO0, 1 write timing



## – USB Access Timing (Full-Speed)

(V<sub>DD\_CORE</sub> = 2.25 to 2.75 V, V<sub>DD\_IO</sub> = 3.0 to 3.6 V, Ta = -40 to +85°C)

Parameter	Symbol	Condition	Min.	Typ.	Max.	Unit	Applied pin
Rise time (*1)	T <sub>R</sub>	C <sub>L</sub> = 50 pF	4	—	20	ns	DP,DM
Fall time (*1)	T <sub>F</sub>	C <sub>L</sub> = 50 pF	4	—	20	ns	
Output signal crossover voltage	V <sub>CRS</sub>	C <sub>L</sub> = 50 pF	0.8	—	2.5	V	
Data rate	T <sub>DRATE</sub>	Average bit rate (12Mbps ±0.25%)	11.97	—	12.03	Mbps	

\* 1: T<sub>R</sub> and T<sub>F</sub>: Rise time and fall time between 10% and 90% of the pulse amplitude, respectively

## – SPI Access Timing

## Characteristics of master mode timing

(V<sub>DD\_CORE</sub> = 2.25 to 2.75 V, V<sub>DD\_IO</sub> = 3.0 to 3.6 V, Ta = -40 to +85°C)

Parameter	Symbol	Condition	Min.	Typ.	Max.	Unit
Data delay time (output)	t <sub>DD</sub>		—	—	25	ns
Data setup time (input)	t <sub>SD</sub>	CL = 30 pF	25	—	—	ns
Data hold time (input)	t <sub>HD</sub>		0 (*1)	—	—	ns
SSN-SCK lead time	t <sub>LEAD</sub>		0.5*t <sub>SCK</sub> - 15	—	1.5*t <sub>SCK</sub> + 15	ns(*2)
SCK-SSN lag time	t <sub>LAG</sub>		0.5*t <sub>SCK</sub> - 15	—	1.5*t <sub>SCK</sub> + 15	ns(*2)

\* 1: Although actual values may become negative depending on the external load, input the serial data so that the data hold time can be guaranteed.

\* 2: t<sub>SCK</sub> is the cycle time of the serial clock for SPI transferring which is obtained by dividing the frequency of the bus clock, whose cycle time is t<sub>BUSCLK</sub>. For more details, see Chapter 15, “SPI”, in the user’s manual.

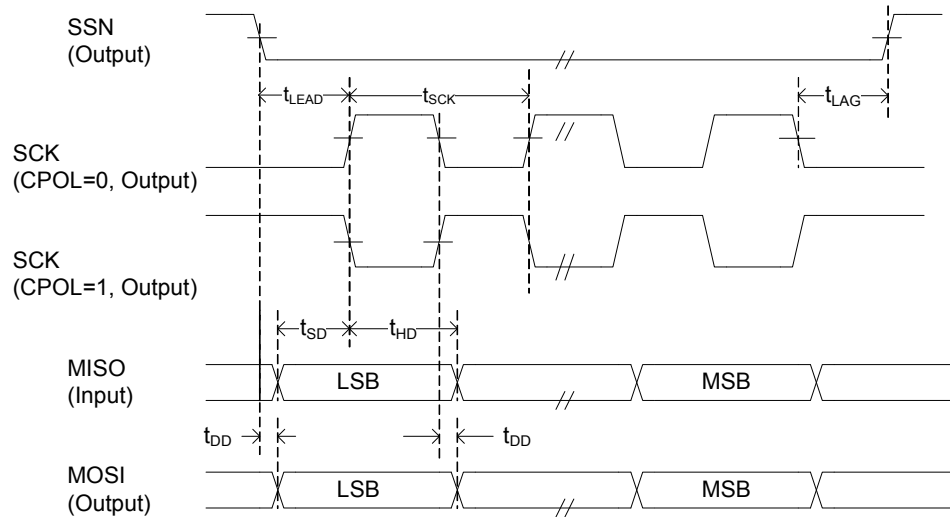
## Characteristics of slave mode timing

(V<sub>DD\_CORE</sub> = 2.25 to 2.75 V, V<sub>DD\_IO</sub> = 3.0 to 3.6 V, Ta = -40 to +85°C)

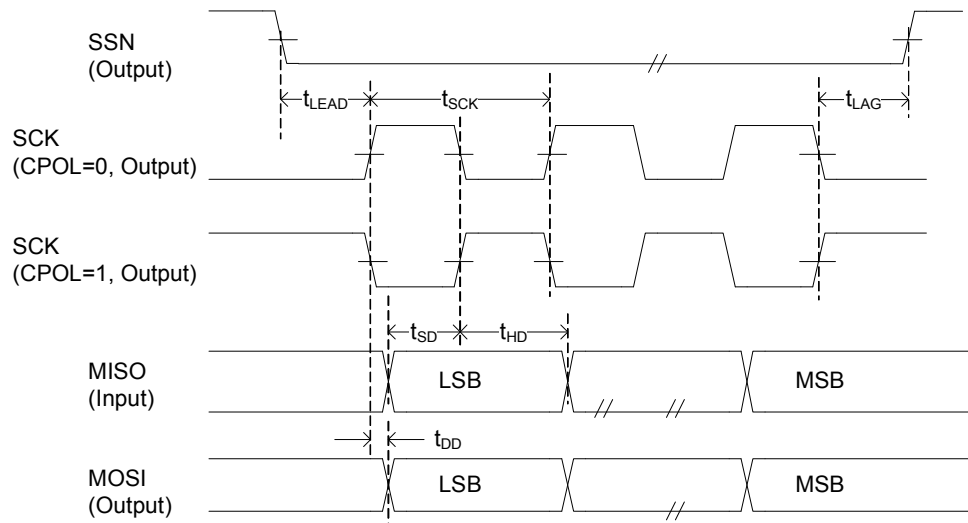
Parameter	Symbol	Condition	Min.	Typ.	Max.	Unit
Serial clock cycle time	t <sub>SCK</sub>	—	2	—	—	t <sub>BUSCLK</sub>
Serial clock High/Low time	t <sub>WSCK</sub>	—	1	—	—	t <sub>BUSCLK</sub>
Data delay time (output)	t <sub>DD</sub>	—	—	—	25	ns
Data setup time (input)	t <sub>SD</sub>	—	25	—	—	ns
Data hold time (input)	t <sub>HD</sub>	—	25	—	—	ns
SSN-SCK lead time	t <sub>LEAD</sub>	—	25	—	—	ns
SCK-SSN lag time	t <sub>LAG</sub>	—	t <sub>BUSCLK</sub> + 10	—	—	ns
Slave data invalid time	t <sub>DIS</sub>	—	—	—	25	ns



## ○ SPI master mode timing (CPHA = 0)



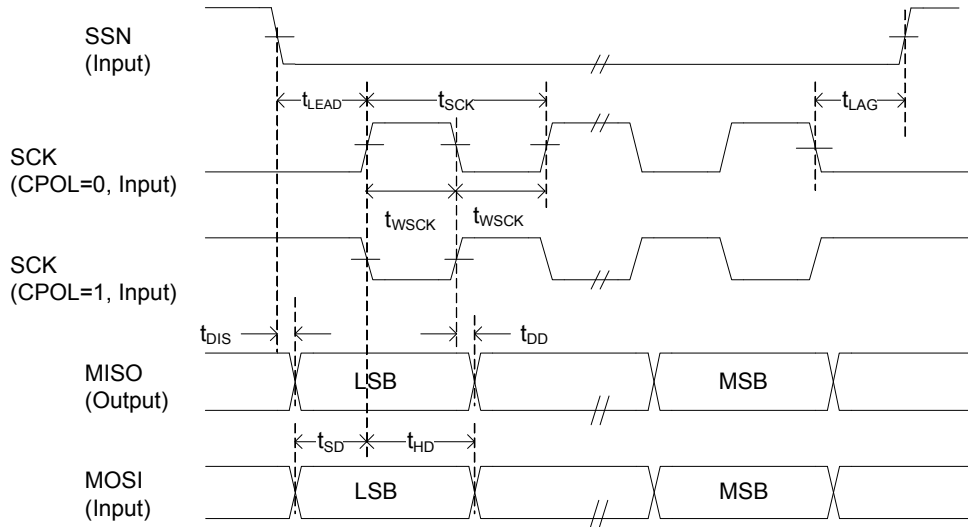
## ○ SPI master mode timing (CPHA = 1)



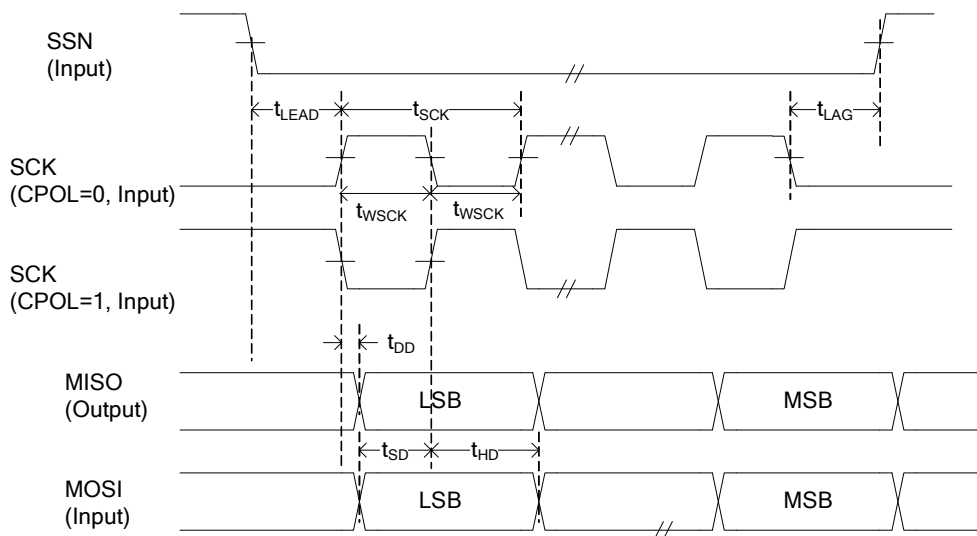
Note:

For CPHA and CPOL, see Chapter 15, "SPI", in the ML67Q5250 User's Manual.

○ SPI slave mode timing (CPHA = 0)



○ SPI slave mode timing (CPHA = 1)



Note:  
For CPHA and CPOL, see Chapter 15, "SPI", in the ML67Q5250 User's Manual.

### – Synchronous SIO Access Timing

Switching between master mode and slave mode can be set for this synchronous SIO by the software register setting. Serial clock polarity can be switched.

When clock polarity is set to positive, data is transmitted (shifted out) on the falling edge of the clock and is received (shifted in) on the rising edge of the clock. At completion of 8-bit data transmission/reception, the clock stops at a high level and the last data is retained for data output.

When clock polarity is set to negative, data is transmitted (shifted out) on the rising edge of the clock and is received (shifted in) on the falling edge of the clock. At completion of 8-bit data transmission/reception, the clock stops at a low level and the last data is retained for data output.

The following waveforms show the cases where the clock polarity is positive.

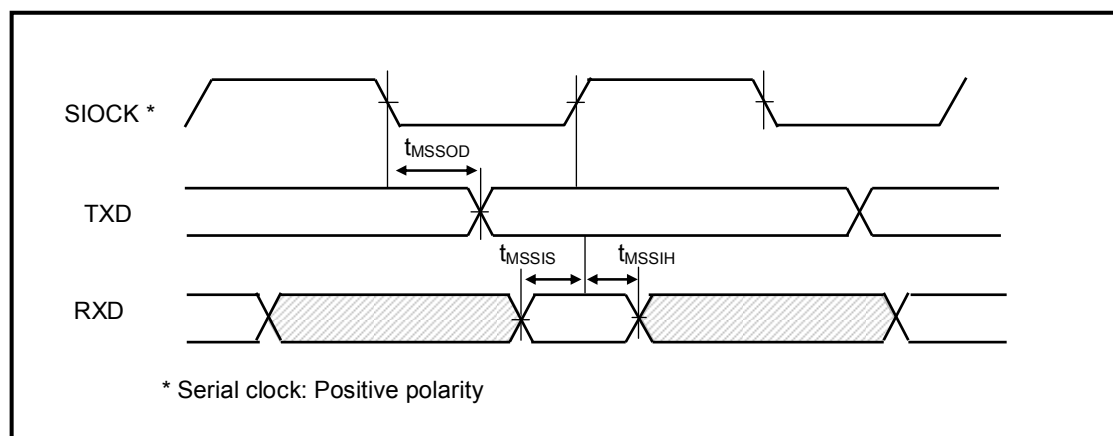
#### • Master mode

( $V_{DD\_CORE} = 2.25$  to  $2.75$  V,  $V_{DD\_IO} = 3.0$  to  $3.6$  V,  $T_a = -40$  to  $+85^\circ\text{C}$ )

Parameter	Symbol	Condition	Min.	Max.	Unit	Remarks
Output data delay time	$t_{MSSOD}$	$C_L = 30$ pF	—	20	ns	
Input data setting time	$t_{MSSIS}$		30	—		
Input data retained time	$t_{MSSIH}$		10	—		

Note:

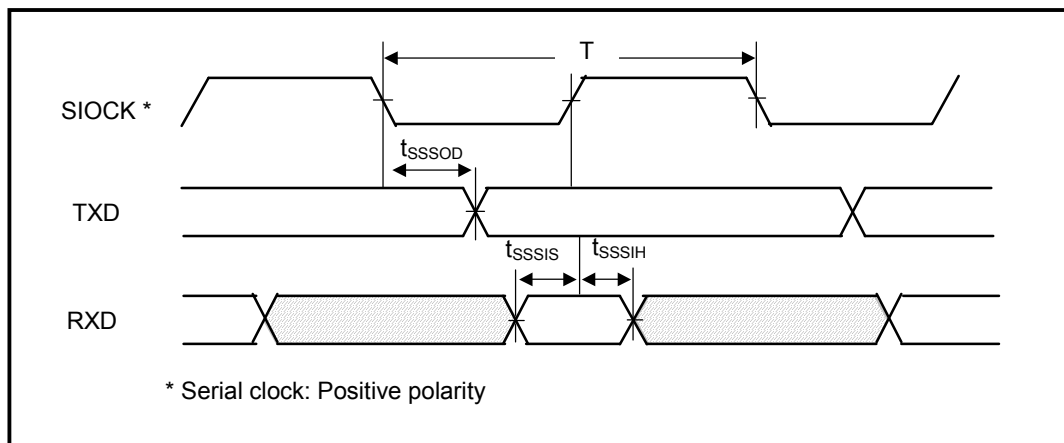
11 clock outputs for transferring is selectable from 2 synchronous SIO clock sources and the frequency divide ratios. For more details, see Chapter 16, Synchronous SIO, in the user's manual.



- Slave mode

( $V_{DD\_CORE} = 2.25$  to  $2.75$  V,  $V_{DD\_IO} = 3.0$  to  $3.6$  V,  $T_a = -40$  to  $+85^\circ\text{C}$ )

Parameter	Symbol	Condition	Min.	Max.	Unit	Remarks
Serial clock cycle	T	$C_L = 30$ pF	62.5	—	ns	
Output data delay time	$t_{SSOD}$		—	40		
Input data setting time	$t_{SSIS}$		20	—		
Input data retained time	$t_{SSIH}$		20	—		



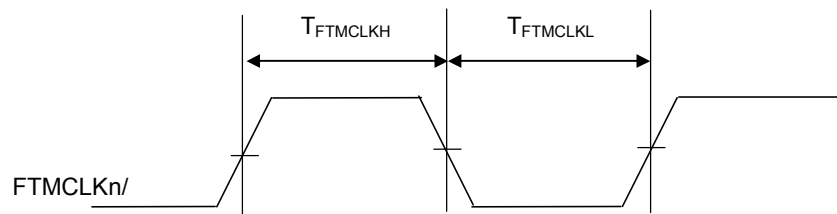
## – FTM Access Timing

(V<sub>DD\_CORE</sub> = 2.25 to 2.75 V, V<sub>DD\_IO</sub> = 3.0 to 3.6 V, Ta = -40 to +85°C)

Parameter	Symbol	Condition	Min.	Typ.	Max.	Unit
FTMCLKn input H duration	T <sub>FTMCLKH</sub>	—	t <sub>BUSCLK</sub> × 2	—	—	ns
FTMCLKn input L duration	T <sub>FTMCLKL</sub>	—	t <sub>BUSCLK</sub> × 2	—	—	ns

Note 1: n = 0 to 2

## ○ FTMCLKn input timing (n = 0 to 2)



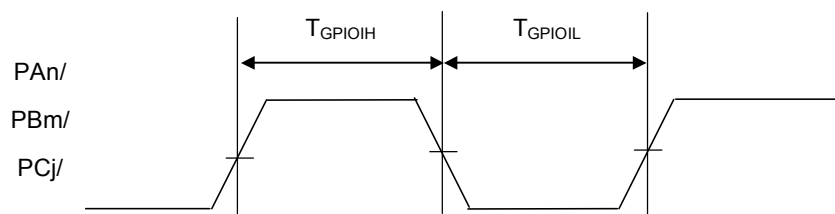
## – GPIO (PA, PB, PC) Access Timing

(V<sub>DD\_CORE</sub> = 2.25 to 2.75 V, V<sub>DD\_IO</sub> = 3.0 to 3.6 V, Ta = -40 to +85°C)

Parameter	Symbol	Condition	Min.	Typ.	Max.	Unit
PAn, PBm, PCj input H duration	T <sub>GPIOIH</sub>	—	t <sub>BUSCLK</sub> × 2	—	—	ns
PAn, PBm, PCj input L duration	T <sub>GPIOIL</sub>	—	t <sub>BUSCLK</sub> × 2	—	—	ns

Note 1: n = 12 to 0, m = 13 to 0, j = 15 to 0

## ○ PAn,PBm,PCj input timing (n = 12 to 0, m = 13 to 0, j = 15 to 0)



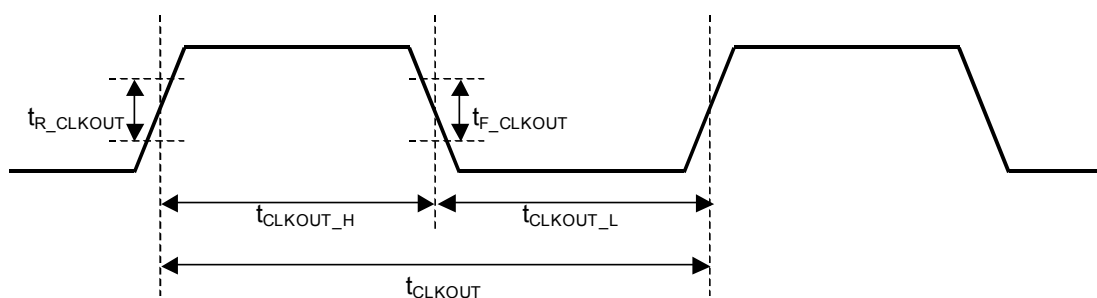
– Clock Output (Secondary Function of PA12 Pin) Timing

( $V_{DD\_CORE} = 2.25$  to  $2.75$  V,  $V_{DD\_IO} = 3.0$  to  $3.6$  V,  $T_a = -40$  to  $+85^\circ\text{C}$ )

Parameter	Symbol	Condition	Min.	Typ.	Max.	Unit
Clock output High duration	$t_{CLKOUT\_H}$	—	$45\% \times t_{CLKOUT}$	$50\% \times t_{CLKOUT}$	$55\% \times t_{CLKOUT}$	ns (*1)
Clock output Low duration	$t_{CLKOUT\_L}$	—	$45\% \times t_{CLKOUT}$	$50\% \times t_{CLKOUT}$	$55\% \times t_{CLKOUT}$	ns (*1)
Rise time	$t_{R\_CLKOUT}$	$C_L = 10$ pF			3	ns
Fall time	$t_{F\_CLKOUT}$	$C_L = 10$ pF			3	ns

\*:  $t_{CLKOUT}$  is the cycle time of the 6 MHz or 12 MHz clock generated by 2 clock sources and the frequency divide ratio. (refer Chapter 4 in detail in the user's manual)

○ Clock output (secondary function of PA12 pin) timing



## POWER ON/OFF SEQUENCE

Turn on the following powers in this order or turn on all the following powers at the same time.

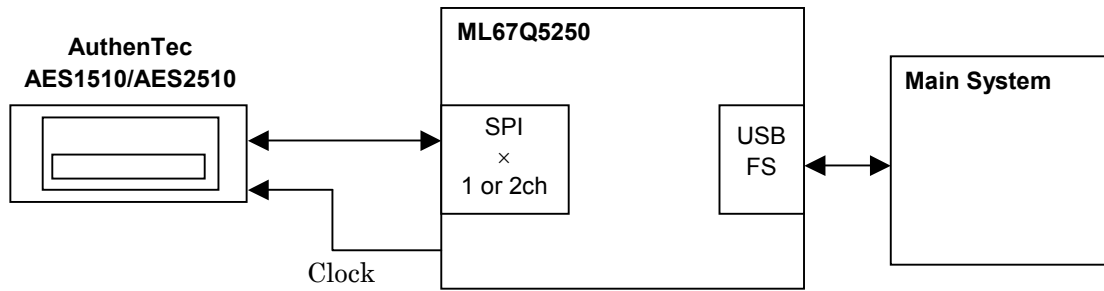
1. VDDIO
2. VDDCORE, PLLVDD

Turn off the following powers in this order or turn off all the following powers at the same time.

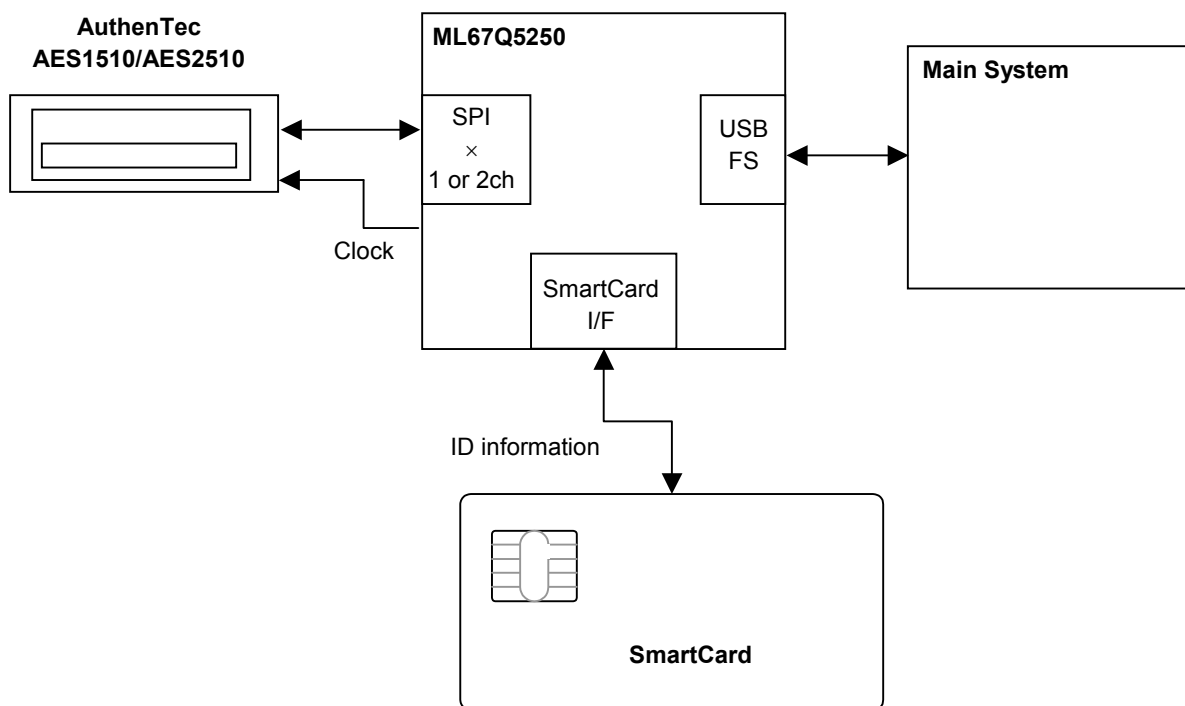
1. VDDCORE, PLLVDD
2. VDDIO

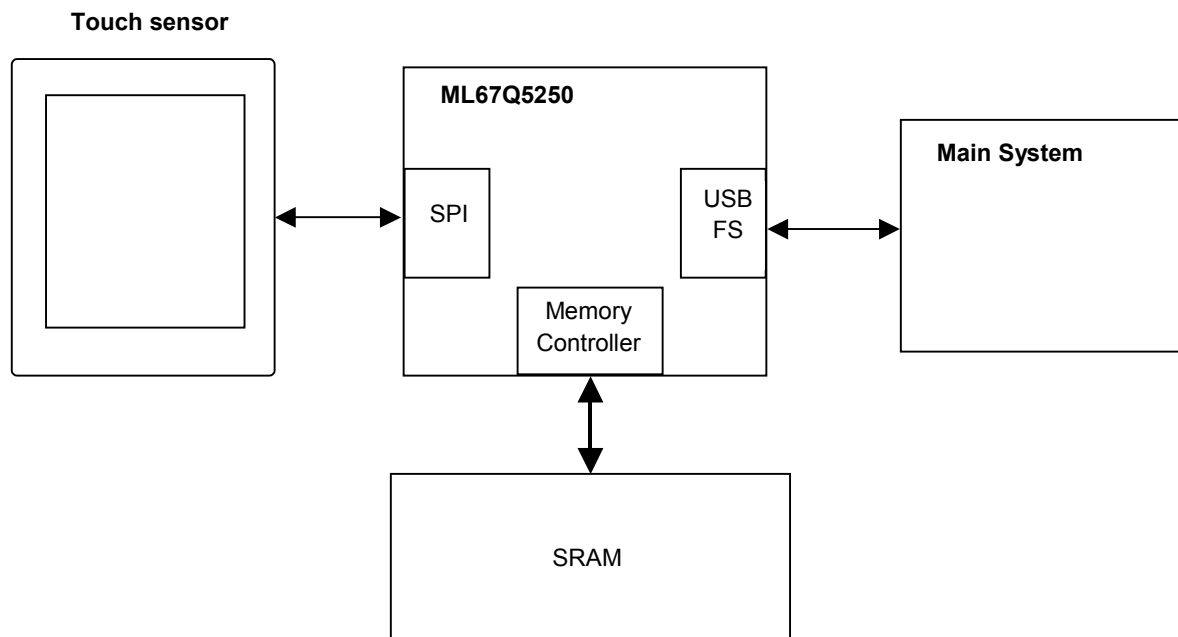
**EXAMPLES OF APPLICATION**

- Notebook PC
- USB token
- etc...



- Gate system
- Printer
- etc...

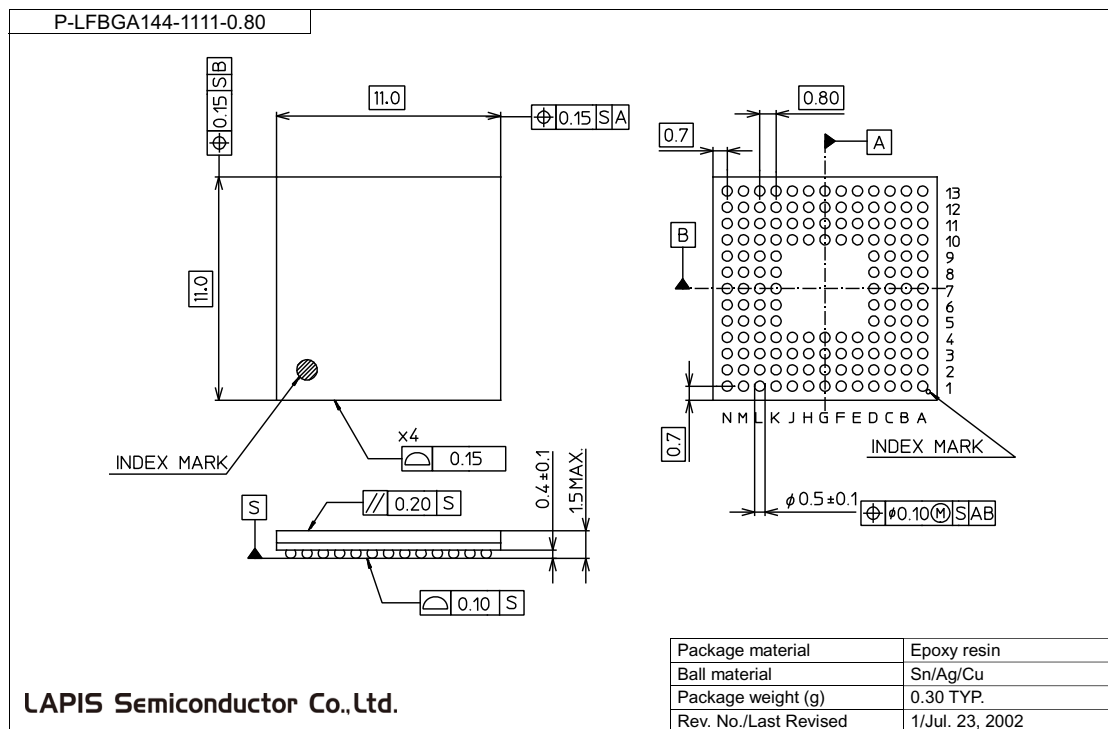






**PACKAGE DIMENSIONS**

(Unit: mm)



Notes for Mounting the Surface Mount Type Package

The surface mount type packages are very susceptible to heat in reflow mounting and humidity absorbed in storage. Therefore, before you perform reflow mounting, contact ROHM's responsible sales person for the product name, package name, pin number, package code and desired mounting conditions (reflow method, temperature and times).

## REVISION HISTORY

Document No.	Date	Page		Description
		Previous Edition	Current Edition	
PEDL67Q5250-1	Nov. 9, 2007	–	–	Preliminary edition 1
FEDL67Q5250-1	Feb.22, 2008	–	–	Final edition 1
		11	11	Corrected "Core power supply" to "IO power supply" at Description of VDDIO in the Table of Other Pins. Corrected "Core GND" to "IO GND" at Description of GNDIO in the Table of Other Pins.
		12 to 30	12 to 30	Deleted all the sentences of "Note: The values in the table above are preliminary and are subject to change without notice." indicated in Chapter 22 of the preliminary version.
		12	12	Added "(*1)" to "Digital power supply voltage (CORE)" and "PLL power supply voltage (PLL)" in the specification table of Guaranteed Operating Ranges. Added " * 1: Please supply from same power source to both VDD_CORE pins and VDD_PLL pin." to the margin of this specification table. Changed "T <sub>aflw</sub> " into "T <sub>aflwrite</sub> " with the sign of the item of the ambient temperature of this table.
		14	14	Changed the specification value of "Supply current (during operation)" in the specification table of DC characteristics (Core/IO) Added "**5: The current supplied to the LSI..." at the lower column of the specification table of DC characteristics (Core/IO).
		15	15	Changed " (YB)-(YBN) " into "Absolute value of the difference between the DP and DM pins" at the condition column of "Differential input sensitivity" in the specification table of DC characteristics (USB). Deleted the maximum specification of "High level output voltage" and the minimum specification of "Low level output voltage" in the specification table of DC characteristics (USB).
		18, 19	18, 19	Changed the several specification values in the two tables of "Access from CPU" and "Access by DMA" of External ROM/RAM Timing.
		21	21	Changed the several specification value in the specification table of External IO0, 1 Timing.
		23	23	Changed the specification value of "Output signal crossover voltage" in the specification table of USB Access Timing (Full-Speed).

Document No.	Date	Page		Description
		Previous Edition	Current Edition	
FEDL67Q5250-01	Feb.22, 2008	24	24	Deleted the column of "Serial clock cycle time", "Serial clock High/Low time", "SSN H min. guaranteed time", "SPI bus input/output rise/fall time" in the Characteristics table of master mode timing in "-SPI Access Timing." Changed the specification value of "SSN-SCK lead time" and "SCK-SSN lag time" in this table. Added the note of *2 at the lower column of this specification table. Changed the specification value of "SCK-SSN lag time" in the table of "Characteristics of slave mode timing." Deleted the column of "SPI bus input/output rise/fall time" in this table.
		27	27	Changed the specification value of master mode in "Synchronous SIO Access Timing." Added the note at the lower column of this specification table.
		30	30	Added the note of *1 at the lower column of the specification table of "- Clock Output (Secondary Function of PA12 Pin) Timing."
FEDL67Q5250-02	Mar.31, 2008	–	–	Final Edition 2
		1	1	Modified description "DTF" to "DFT" in fingerprint authentication of FEATURES.
		2	2	Deleted description about Fingerprint authentication RAM in Internal RAM of FEATURES.
FEDL67Q5250-03	Sep.02, 2008	16	16	Added a notes to the reset input timing at the time of a power supply injection, in the section of Reset Timing.

## NOTICE

No copying or reproduction of this document, in part or in whole, is permitted without the consent of LAPIS Semiconductor Co., Ltd.

The content specified herein is subject to change for improvement without notice.

The content specified herein is for the purpose of introducing LAPIS Semiconductor's products (hereinafter "Products"). If you wish to use any such Product, please be sure to refer to the specifications, which can be obtained from LAPIS Semiconductor upon request.

Examples of application circuits, circuit constants and any other information contained herein illustrate the standard usage and operations of the Products. The peripheral conditions must be taken into account when designing circuits for mass production.

Great care was taken in ensuring the accuracy of the information specified in this document. However, should you incur any damage arising from any inaccuracy or misprint of such information, LAPIS Semiconductor shall bear no responsibility for such damage.

The technical information specified herein is intended only to show the typical functions of and examples of application circuits for the Products. LAPIS Semiconductor does not grant you, explicitly or implicitly, any license to use or exercise intellectual property or other rights held by LAPIS Semiconductor and other parties. LAPIS Semiconductor shall bear no responsibility whatsoever for any dispute arising from the use of such technical information.

The Products specified in this document are intended to be used with general-use electronic equipment or devices (such as audio visual equipment, office-automation equipment, communication devices, electronic appliances and amusement devices).

The Products specified in this document are not designed to be radiation tolerant.

While LAPIS Semiconductor always makes efforts to enhance the quality and reliability of its Products, a Product may fail or malfunction for a variety of reasons.

Please be sure to implement in your equipment using the Products safety measures to guard against the possibility of physical injury, fire or any other damage caused in the event of the failure of any Product, such as derating, redundancy, fire control and fail-safe designs. LAPIS Semiconductor shall bear no responsibility whatsoever for your use of any Product outside of the prescribed scope or not in accordance with the instruction manual.

The Products are not designed or manufactured to be used with any equipment, device or system which requires an extremely high level of reliability the failure or malfunction of which may result in a direct threat to human life or create a risk of human injury (such as a medical instrument, transportation equipment, aerospace machinery, nuclear-reactor controller, fuel-controller or other safety device). LAPIS Semiconductor shall bear no responsibility in any way for use of any of the Products for the above special purposes. If a Product is intended to be used for any such special purpose, please contact a ROHM sales representative before purchasing.

If you intend to export or ship overseas any Product or technology specified herein that may be controlled under the Foreign Exchange and the Foreign Trade Law, you will be required to obtain a license or permit under the Law.

Copyright 2008 - 2011 LAPIS Semiconductor Co., Ltd.