

# ML9205-01

## 5 × 7 Dot Character × 16-Digit Display Controller/Driver with Character RAM

### GENERAL DESCRIPTION

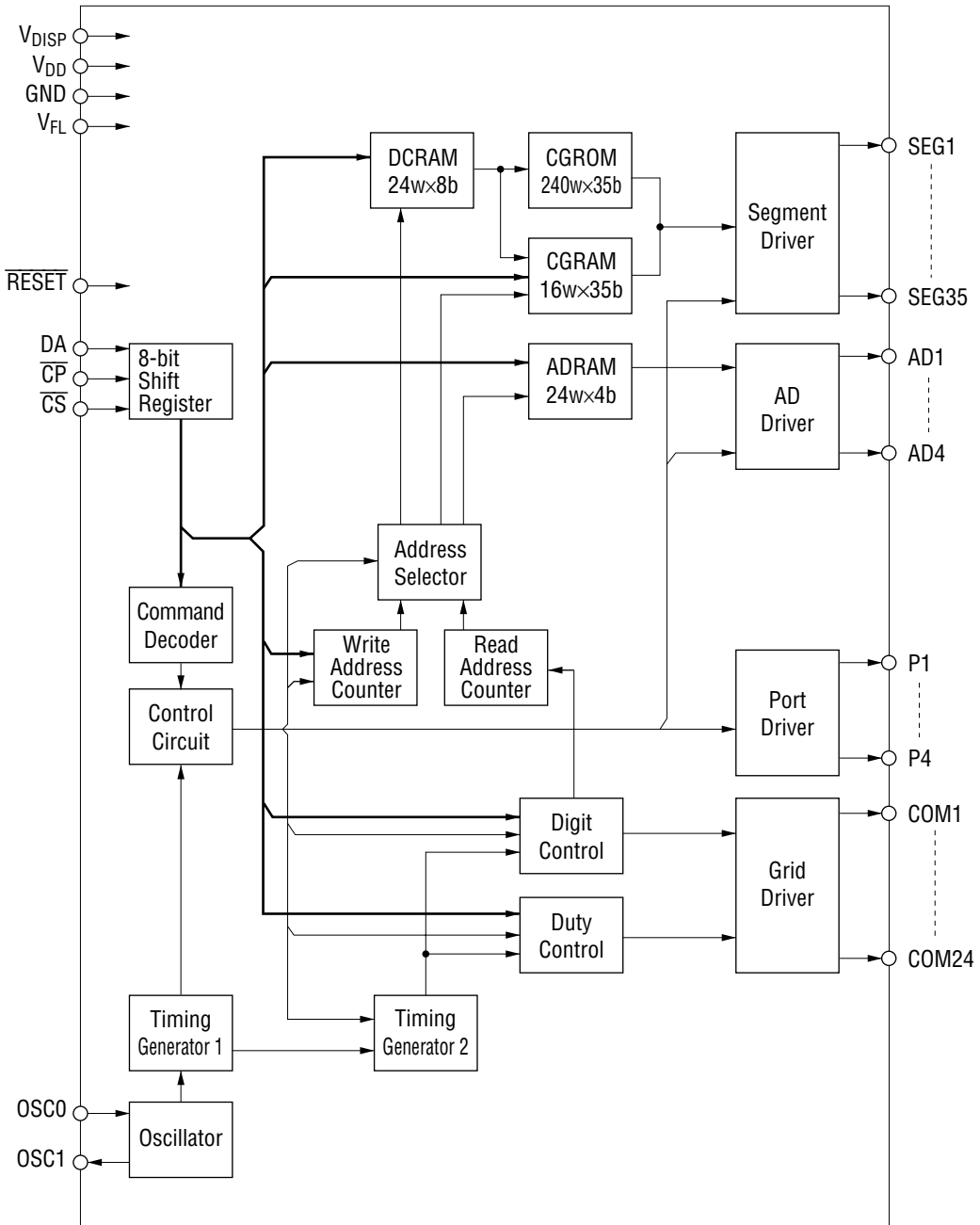
The ML9205-01 is a dot matrix vacuum fluorescent display tube controller driver IC which displays characters, numerics and symbols.

Dot matrix vacuum fluorescent display tube drive signals are generated by serial data sent from a micro-controller. A display system is easily realized by internal ROM and RAM for character display.

### FEATURES

- Logic power supply ( $V_{DD}$ ) : 3.3 V $\pm$ 10% or 5.0 V $\pm$ 10%
- Fluorescent display tube drive power supply ( $V_{DISP}$ ) : 3.3 V $\pm$ 10% or 5.0 V $\pm$ 10%
- Fluorescent display tube drive power supply ( $V_{FL}$ ) : -20 to -60 V
- VFD driver output current  
(VFD driver output can be connected directly to the fluorescent display tube. No pull-down resistor is required.)
  - Segment driver (SEG1 to SEG35) : -5.0 mA ( $V_{FL} = -60$  V)
  - Segment driver (AD1 to AD4) : -10.0 mA ( $V_{FL} = -60$  V)
  - Grid driver (COM1 to COM24) : -50.0 mA ( $V_{FL} = -60$  V)
- General output port output current
  - Output driver (P1 to P4) :  $\pm 1.0$  mA ( $V_{DD} = 3.3$  V $\pm$ 10%)  
 $\pm 2.0$  mA ( $V_{DD} = 5.0$  V $\pm$ 10%)
- Content of display
  - CGROM 5 × 7 dots : 240 types (character data)
  - CGRAM 5 × 7 dots : 16 types (character data)
  - ADRAM 24 (display digit) × 4 bits (symbol data)
  - DCRAM 24 (display digit) × 8 bits (register for character data display)
  - General output port 4 bits (static operation)
- Display control function
  - Display digit : 9 to 24 digits
  - Display duty (brightness adjustment) : 8 stages
  - All lights ON/OFF
- 3 interfaces with microcontroller : DA,  $\overline{CS}$ ,  $\overline{CP}$  (4 interfaces when  $\overline{RESET}$  is added)
- 1-byte instruction execution (excluding data write to RAM)
- Built-in oscillation circuit (external R and C)
- Package options:
  - 80-pin QFP package (QFP80-P-1414-0.65-K) (Product name : ML9205-01GP)
  - 80-pin QFP package (QFP80-P-1420-0.80-BK) (Product name : ML9205-01GA)

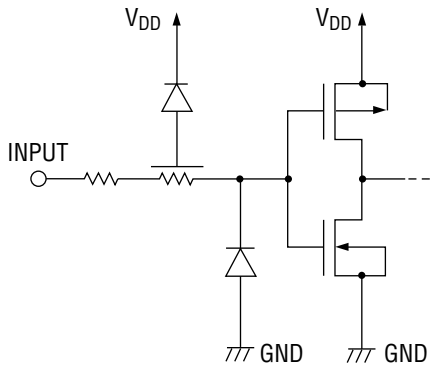
**BLOCK DIAGRAM**



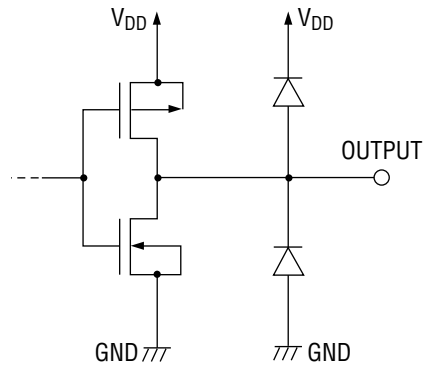
## INPUT AND OUTPUT CONFIGURATION

Schematic Diagrams of Logic Portion Input and Output Circuits

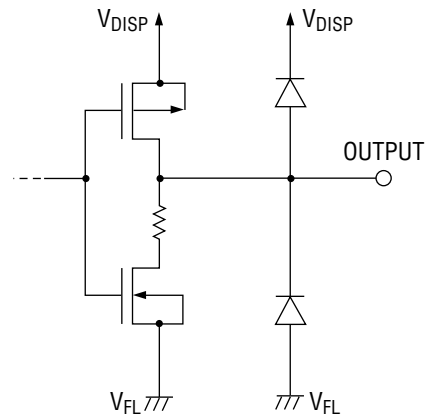
Input Pin



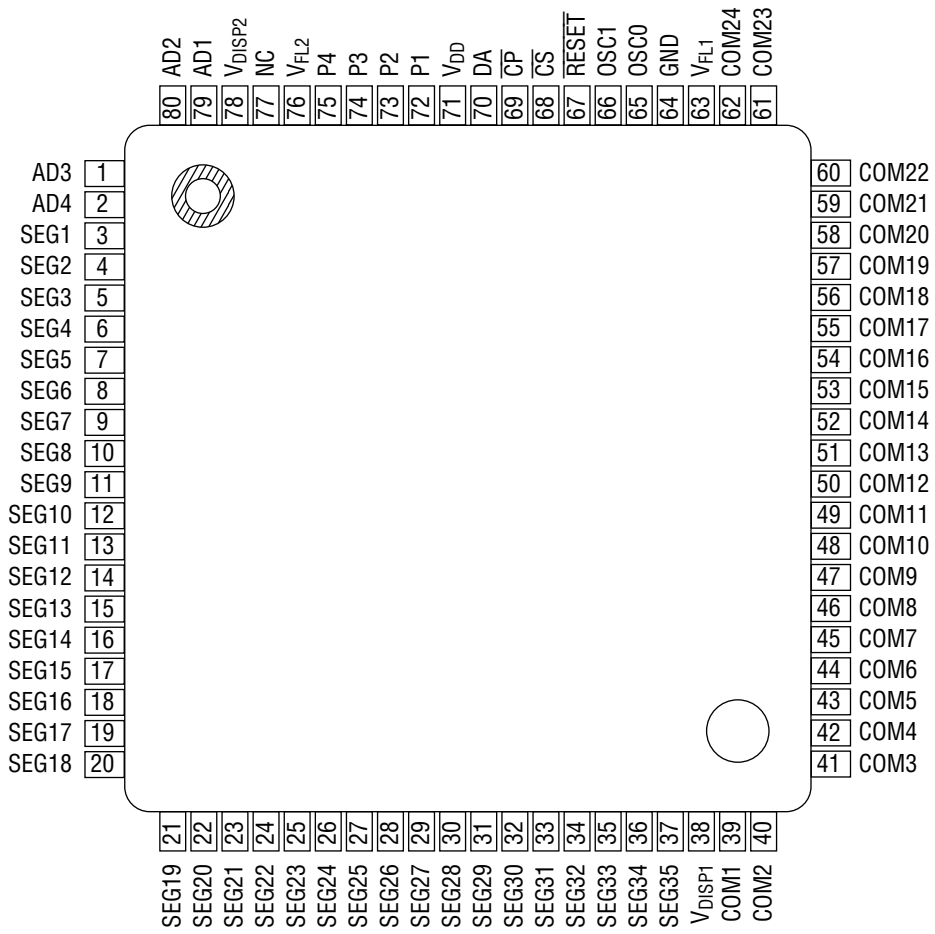
Output Pin



Schematic Diagram of Driver Output Circuit

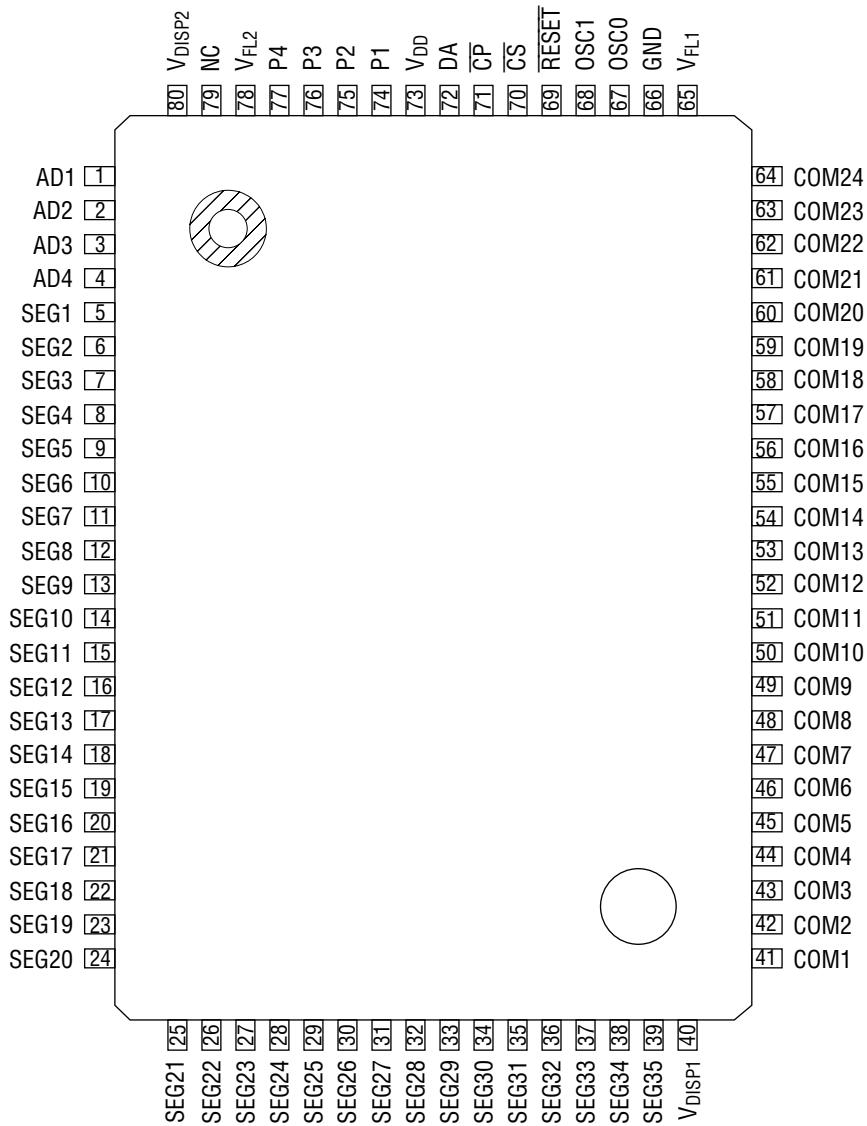


**PIN CONFIGURATION (TOP VIEW)**



NC: No connection

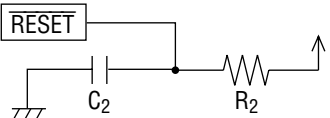
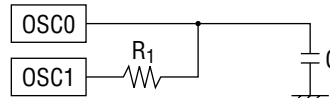
**80-Pin Plastic QFP  
(QFP80-P-1414-0.65-K)**



NC: No connection

**80-Pin Plastic QFP  
(QFP80-P-1420-0.80-BK)**

## PIN DESCRIPTION

Pin		Symbol	Type	Connects to	Description
QFP-1*	QFP-2*				
3 to 37	5 to 39	SEG1 to 35	0	Fluorescent tube anode electrode	Fluorescent display tube anode electrode drive output. Directly connected to fluorescent display tube and a pull-down resistor is not necessary. $I_{OH} > -5.0$ mA
39 to 62	41 to 64	COM1 to 24	0	Fluorescent tube grid electrode	Fluorescent display tube grid electrode drive output. Directly connected to fluorescent display tube and a pull-down resistor is not necessary. $I_{OH} > -50.0$ mA
1, 2, 79, 80	1 to 4	AD1 to AD4	0	Fluorescent tube anode electrode	Fluorescent display tube anode electrode drive output. Directly connected to fluorescent display tube and a pull-down resistor is not necessary. $I_{OH} > -10.0$ mA
72 to 75	74 to 77	P1 to P4	0	LED anode electrode	General port output. Output of these pins in static operation, so these pins can drive the LED. $I_{OH} > -2.0$ mA
71	73	$V_{DD}$	—	Power supply	$V_{DD}$ -GND are power supplies for internal logic. $V_{DISP}$ - $V_{FL}$ are power supplies for driving fluorescent tubes. Use the same power supply for $V_{DD}$ and $V_{DISP}$ .
38, 78	40, 80	$V_{DISP1}$ to 2			
64	66	GND			
63, 76	65, 78	$V_{FL1}$ to 2			
70	72	DA	I	Micro-controller	Serial data input (positive logic). Input from LSB.
69	71	$\overline{CP}$	I	Micro-controller	Shift clock input. Serial data is shifted on the rising edge of $\overline{CP}$ .
68	70	$\overline{CS}$	I	Micro-controller	Chip select input. Serial data transfer is disabled when $\overline{CS}$ pin is "H" level.
67	69	$\overline{RESET}$	I	Micro-controller or $C_2, R_2$	<p>Reset input. "Low" initializes all the functions. Initial status is as follows.</p> <ul style="list-style-type: none"> <li>• Address of each RAM ..... address "00"H</li> <li>• Data of each RAM ..... Content is undefined</li> <li>• Display digit ..... 24 digits</li> <li>• Brightness adjustment ..... 8/16</li> <li>• All lights ON or OFF ..... OFF mode</li> <li>• All outputs ..... "Low" level</li> </ul>  <p>(Circuit when R and C are connected externally) See Application Circuit.</p>
65	67	OSC0	I	$C_1, R_1$	<p>External RC pin for RC oscillation. Connect R and C externally. The RC time constant depends on the <math>V_{DD}</math> voltage used. Set the target oscillation frequency to 2 MHz.</p>  <p>(RC oscillation circuit) See Application Circuit.</p>
66	68	OSC1	0		

\* QFP-1: QFP80-P-1414-0.65-K

\* QFP-2: QFP80-P-1420-0.80-BK

## ABSOLUTE MAXIMUM RATINGS

Parameter	Symbol	Condition	Rating	Unit	
Supply Voltage (1)	V <sub>DD</sub>	*1	-0.3 to +6.5	V	
	V <sub>DISP</sub>	*1	-0.3 to +6.5	V	
Supply Voltage (2)	V <sub>FL</sub>	—	-80 to V <sub>DISP</sub> +0.3	V	
Input Voltage	V <sub>IN</sub>	—	-0.3 to V <sub>DD</sub> +0.3	V	
Power Dissipation	P <sub>D</sub>	T <sub>a</sub> ≥25°C	QFP80-P-1414-0.65-K	637	mW
			QFP80-P-1420-0.80-BK	764	
Storage Temperature	T <sub>STG</sub>	—	-55 to +150	°C	
Output Current	I <sub>O1</sub>	COM1 to COM24	-60 to 0.0	mA	
	I <sub>O2</sub>	AD1 to AD4	-20 to 0.0		
	I <sub>O3</sub>	SEG1 to SEG35	-10 to 0.0		
	I <sub>O4</sub>	P1 to P4	-4.0 to +4.0		

\*1: Use the same power supply for V<sub>DD</sub> and V<sub>DISP</sub>.

## RECOMMENDED OPERATING CONDITIONS

When the power supply voltage is 5V (typ.)

Parameter	Symbol	Condition	Min.	Typ.	Max.	Unit
Supply Voltage (1)	V <sub>DD</sub> , V <sub>DISP</sub>	—	4.5	5.0	5.5	V
Supply Voltage (2)	V <sub>FL</sub>	—	-60	—	-20	V
High Level Input Voltage	V <sub>IH</sub>	All input pins excluding OSC0 pin	0.7V <sub>DD</sub>	—	—	V
Low Level Input Voltage	V <sub>IL</sub>	All input pins excluding OSC0 pin	—	—	0.3V <sub>DD</sub>	V
CP Frequency	f <sub>C</sub>	—	—	—	2.0	MHz
Oscillation Frequency	f <sub>OSC</sub>	R <sub>1</sub> =3.3kΩ, C <sub>1</sub> =47pF	1.5	2.0	2.5	MHz
Frame Frequency	f <sub>FR</sub>	DIGIT=1 to 24, R <sub>1</sub> =3.3kΩ, C <sub>1</sub> =47pF	122	163	204	Hz
Operating Temperature	T <sub>op</sub>	—	-40	—	+85	°C

When the power supply voltage is 3.3V (typ.)

Parameter	Symbol	Condition	Min.	Typ.	Max.	Unit
Supply Voltage (1)	V <sub>DD</sub> , V <sub>DISP</sub>	—	3.0	3.3	3.6	V
Supply Voltage (2)	V <sub>FL</sub>	—	-60	—	-20	V
High Level Input Voltage	V <sub>IH</sub>	All input pins excluding OSC0 pin	0.8V <sub>DD</sub>	—	—	V
Low Level Input Voltage	V <sub>IL</sub>	All input pins excluding OSC0 pin	—	—	0.2V <sub>DD</sub>	V
CP Frequency	f <sub>C</sub>	—	—	—	2.0	MHz
Oscillation Frequency	f <sub>OSC</sub>	R <sub>1</sub> =3.3kΩ, C <sub>1</sub> =39pF	1.5	2.0	2.5	MHz
Frame Frequency	f <sub>FR</sub>	DIGIT=1 to 24, R <sub>1</sub> =3.3kΩ, C <sub>1</sub> =39pF	122	163	204	Hz
Operating Temperature	T <sub>op</sub>	—	-40	—	+85	°C

## ELECTRICAL CHARACTERISTICS

## DC Characteristics-1

(V<sub>DD</sub>, V<sub>DISP</sub>=5.0 V±10%, V<sub>FL</sub>=-60 V, Ta=-40 to +85°C, unless otherwise specified)

Parameter	Symbol	Applied pin	Condition	Min.	Max.	Unit	
High Level Input Voltage	V <sub>IH</sub>	$\overline{CS}$ , $\overline{CP}$ , DA, $\overline{RESET}$	—	0.7V <sub>DD</sub>	—	V	
Low Level Input Voltage	V <sub>IL</sub>	$\overline{CS}$ , $\overline{CP}$ , DA, $\overline{RESET}$	—	—	0.3V <sub>DD</sub>	V	
High Level Input Current	I <sub>IH</sub>	$\overline{CS}$ , $\overline{CP}$ , DA, $\overline{RESET}$	V <sub>IH</sub> =V <sub>DD</sub>	-1.0	+1.0	μA	
Low Level Input Current	I <sub>IL</sub>	$\overline{CS}$ , $\overline{CP}$ , DA, $\overline{RESET}$	V <sub>IL</sub> =0.0V	-1.0	+1.0	μA	
High Level Output Voltage	V <sub>OH1</sub>	COM1 to 24	I <sub>OH1</sub> =-50.0 mA	V <sub>DISP</sub> -2.0	—	V	
	V <sub>OH2</sub>	AD1 to AD4	I <sub>OH2</sub> =-10.0 mA	V <sub>DISP</sub> -1.5	—	V	
	V <sub>OH3</sub>	SEG1 to 35	I <sub>OH3</sub> =-5.0 mA	V <sub>DISP</sub> -1.5	—	V	
	V <sub>OH4</sub>	P1 to P4	I <sub>OH4</sub> =-2.0 mA	V <sub>DISP</sub> -1.0	—	V	
Low Level Output Voltage	V <sub>OL1</sub>	COM1 to 24 AD1 to AD4 SEG1 to 35	—	—	V <sub>FL</sub> +1.0	V	
	V <sub>OL2</sub>	P1 to P4	I <sub>OL1</sub> =2 mA	—	1.0	V	
Supply Current	I <sub>DD1</sub>	V <sub>DD</sub> , V <sub>DISP</sub>	f <sub>OSC</sub> = 2 MHz, no load	Duty=15/16 Digit=1 to 24 All output lights ON	—	4	mA
	I <sub>DD2</sub>			Duty=8/16 Digit=1 to 9 All output lights OFF	—	3	mA



## DC Characteristics-2

(V<sub>DD</sub>, V<sub>DISP</sub>=3.3 V±10%, V<sub>FL</sub>=-60 V, Ta=-40 to +85°C, unless otherwise specified)

Parameter	Symbol	Applied pin	Condition	Min.	Max.	Unit	
High Level Input Voltage	V <sub>IH</sub>	$\overline{CS}$ , $\overline{CP}$ , DA, $\overline{RESET}$	—	0.8V <sub>DD</sub>	—	V	
Low Level Input Voltage	V <sub>IL</sub>	$\overline{CS}$ , $\overline{CP}$ , DA, $\overline{RESET}$	—	—	0.2V <sub>DD</sub>	V	
High Level Input Current	I <sub>IH</sub>	$\overline{CS}$ , $\overline{CP}$ , DA, $\overline{RESET}$	V <sub>IH</sub> =V <sub>DD</sub>	-1.0	+1.0	μA	
Low Level Input Current	I <sub>IL</sub>	$\overline{CS}$ , $\overline{CP}$ , DA, $\overline{RESET}$	V <sub>IL</sub> =0.0V	-1.0	+1.0	μA	
High Level Output Voltage	V <sub>OH1</sub>	COM1 to 24	I <sub>OH1</sub> =-50.0 mA	V <sub>DISP</sub> -2.0	—	V	
	V <sub>OH2</sub>	AD1 to AD4	I <sub>OH2</sub> =-10.0 mA	V <sub>DISP</sub> -1.5	—	V	
	V <sub>OH3</sub>	SEG1 to 35	I <sub>OH3</sub> =-5.0 mA	V <sub>DISP</sub> -1.5	—	V	
	V <sub>OH4</sub>	P1 to P4	I <sub>OH4</sub> =-1.0 mA	V <sub>DD</sub> -1.0	—	V	
Low Level Output Voltage	V <sub>OL1</sub>	COM1 to 24 AD1 to AD4 SEG1 to 35	—	—	V <sub>FL</sub> +1.0	V	
	V <sub>OL2</sub>	P1 to P4	I <sub>OL1</sub> =1mA	—	1.0	V	
Supply Current	I <sub>DD1</sub>	V <sub>DD</sub> , V <sub>DISP</sub>	f <sub>OSC</sub> = 2 MHz, no load	Duty=15/16 Digit=1 to 24 All output lights ON	—	3	mA
	I <sub>DD2</sub>			Duty=8/16 Digit=1 to 9 All output lights OFF	—	2	mA

## AC Characteristics-1

(V<sub>DD</sub>, V<sub>DISP</sub>=5.0V±10%, V<sub>FL</sub>=-60 V, Ta=-40 to +85°C, unless otherwise specified)

Parameter	Symbol	Condition	Min.	Max.	Unit	
$\overline{CP}$ Frequency	f <sub>C</sub>	—	—	2.0	MHz	
$\overline{CP}$ Pulse Width	t <sub>CW</sub>	—	250	—	ns	
DA Setup Time	t <sub>DS</sub>	—	250	—	ns	
DA Hold Time	t <sub>DH</sub>	—	250	—	ns	
$\overline{CS}$ Setup Time	t <sub>CSS</sub>	—	250	—	ns	
$\overline{CS}$ Hold Time	t <sub>CSH</sub>	R <sub>1</sub> =3.3 kΩ, C <sub>1</sub> =47 pF	16	—	μs	
$\overline{CS}$ Wait Time	t <sub>CSW</sub>	—	250	—	ns	
Data Processing Time	t <sub>DOFF</sub>	R <sub>1</sub> =3.3 kΩ, C <sub>1</sub> =47 pF	8	—	μs	
$\overline{RESET}$ Pulse Width	t <sub>WRES</sub>	When $\overline{RESET}$ signal is input from microcontroller, etc. externally	250	—	ns	
$\overline{RESET}$ Time	t <sub>RSON</sub>	When $\overline{RESET}$ signal is input from microcontroller, etc. externally	250	—	ns	
		R <sub>2</sub> =1.0 kΩ, C <sub>2</sub> =0.1 μF	—	200	μs	
DA Wait Time	t <sub>RSOFF</sub>	—	250	—	ns	
All Output Slew Rate	t <sub>R</sub>	C <sub>I</sub> =100pF	t <sub>R</sub> =20% to 80%	—	2.0	μs
	t <sub>F</sub>		t <sub>F</sub> =80% to 20%	—	2.0	μs
V <sub>DD</sub> Rise Time	t <sub>PRZ</sub>	When mounted in the unit	—	100	μs	
V <sub>DD</sub> Off Time	t <sub>POF</sub>	When mounted in the unit, V <sub>DD</sub> =0.0 V	5.0	—	ms	

## AC Characteristics-2

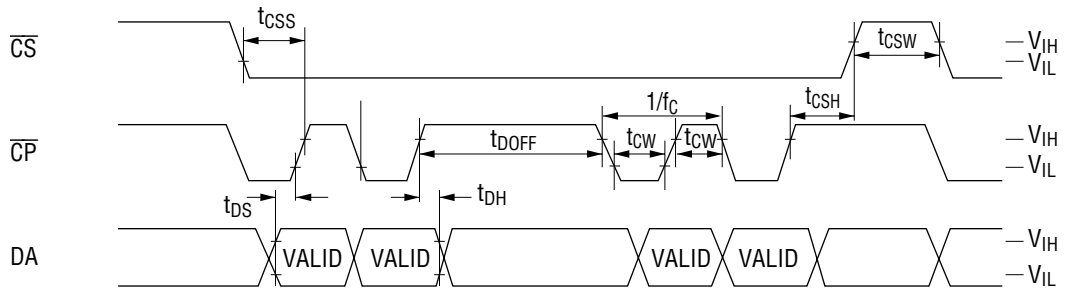
(V<sub>DD</sub>, V<sub>DISP</sub>=3.3V±10%, V<sub>FL</sub>=-60V, Ta=-40 to +85°C, unless otherwise specified)

Parameter	Symbol	Condition	Min.	Max.	Unit	
$\overline{CP}$ Frequency	f <sub>C</sub>	—	—	2.0	MHz	
$\overline{CP}$ Pulse Width	t <sub>CW</sub>	—	250	—	ns	
DA Setup Time	t <sub>DS</sub>	—	250	—	ns	
DA Hold Time	t <sub>DH</sub>	—	250	—	ns	
$\overline{CS}$ Setup Time	t <sub>CSS</sub>	—	250	—	ns	
$\overline{CS}$ Hold Time	t <sub>CSH</sub>	R <sub>1</sub> =3.3 kΩ, C <sub>1</sub> =39 pF	16	—	μs	
$\overline{CS}$ Wait Time	t <sub>CSW</sub>	—	250	—	ns	
Data Processing Time	t <sub>DOFF</sub>	R <sub>1</sub> =3.3 kΩ, C <sub>1</sub> =39 pF	8	—	μs	
$\overline{RESET}$ Pulse Width	t <sub>WRES</sub>	When $\overline{RESET}$ signal is input from microcontroller etc. externally	250	—	ns	
$\overline{RESET}$ Time	t <sub>RSON</sub>	When $\overline{RESET}$ signal is input from microcontroller etc. externally	250	—	ns	
		R <sub>2</sub> =1.0 kΩ, C <sub>2</sub> =0.1 μF	—	200	μs	
DA Wait Time	t <sub>RSOFF</sub>	—	250	—	ns	
All Output Slew Rate	t <sub>R</sub>	C <sub>I</sub> =100pF	t <sub>R</sub> =20% to 80%	—	2.0	μs
	t <sub>F</sub>		t <sub>F</sub> =80% to 20%	—	2.0	μs
V <sub>DD</sub> Rise Time	t <sub>PRZ</sub>	When mounted in the unit	—	100	μs	
V <sub>DD</sub> Off Time	t <sub>POF</sub>	When mounted in the unit, V <sub>DD</sub> =0.0 V	5.0	—	ms	

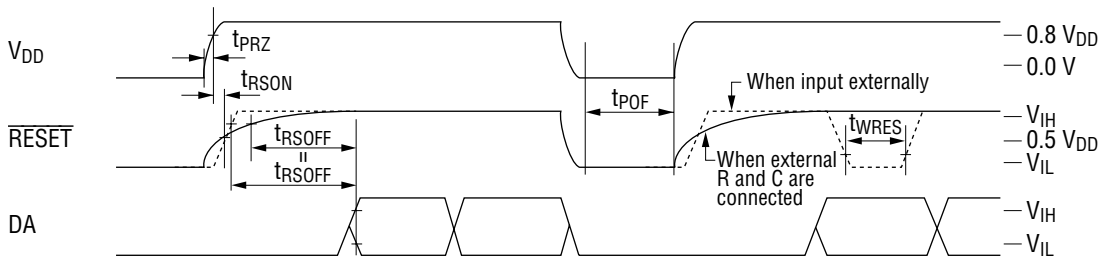
**TIMING DIAGRAM**

Symbol	$V_{DD}=3.3V\pm 10\%$	$V_{DD}=5.0V\pm 10\%$
$V_{IH}$	$0.8 V_{DD}$	$0.7 V_{DD}$
$V_{IL}$	$0.2 V_{DD}$	$0.3 V_{DD}$

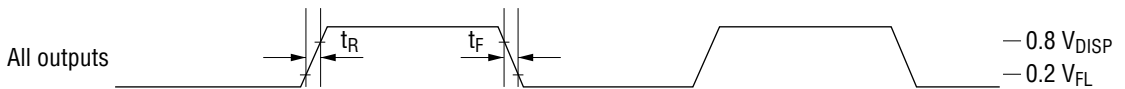
**• Data Timing**



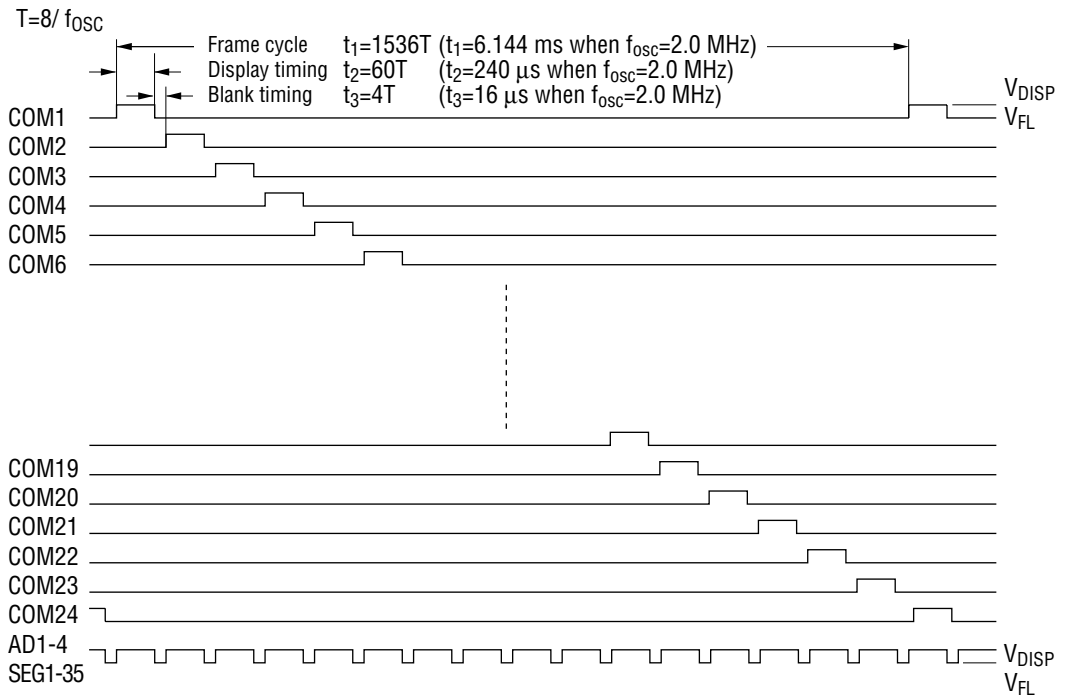
**• Reset Timing**



**• Output Timing**



• Digit Output Timing (for 16-digit display, at a duty of 15/16)



## FUNCTIONAL DESCRIPTION

### Commands List

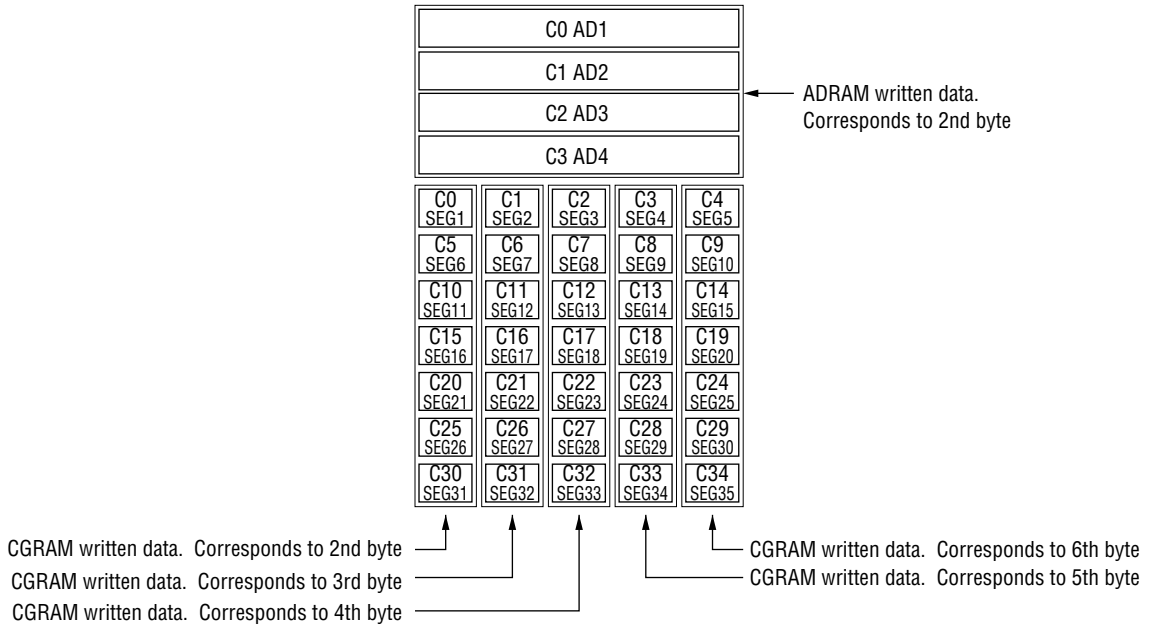
	Command	1st byte							2nd byte									
		LSB							MSB	LSB							MSB	
		B0	B1	B2	B3	B4	B5	B6	B7	B0	B1	B2	B3	B4	B5	B6	B7	
1	DCRAM data write	X0	X1	X2	X3	X4	1	0	0	C0	C1	C2	C3	C4	C5	C6	C7	
2	CGRAM data write	X0	X1	X2	X3	*	0	1	0	C0	C5	C10	C15	C20	C25	C30	*	2nd byte
										C1	C6	C11	C16	C21	C26	C31	*	3rd byte
										C2	C7	C12	C17	C22	C27	C32	*	4th byte
										C3	C8	C13	C18	C23	C28	C33	*	5th byte
										C4	C9	C14	C19	C24	C29	C34	*	6th byte
3	ADRAM data write	X0	X1	X2	X3	X4	1	1	0	C0	C1	C2	C3	*	*	*	*	
4	General output port set	P1	P2	P3	P4	*	0	0	1	* : Don't care								
5	Display duty set	D0	D1	D2	*	*	1	0	1	Xn : Address specification for each RAM								
6	Number of digits set	K0	K1	K2	K3	*	0	1	1	Cn : Character code specification for each RAM								
7	All lights ON/OFF	L	H	*	*	*	1	1	1	Pn : General output port status specification								
	Test mode									Dn : Display duty specification								
										Kn : Number of digits specification								
										H : All lights ON instruction								
										L : All lights OFF instruction								

When data is written to RAM (DCRAM, CGRAM, ADRAM) continuously, addresses are internally incremented automatically.

Therefore it is not necessary to specify the 1st byte to write RAM data for the 2nd and later bytes.

Note: The test mode is used for inspection before shipment.  
It is not a user function.

**Positional Relationship Between SEGn and ADn (one digit)**



## Data Transfer Method and Command Write Method

Display control command and data are written by an 8-bit serial transfer. Write timing is shown in the figure below.

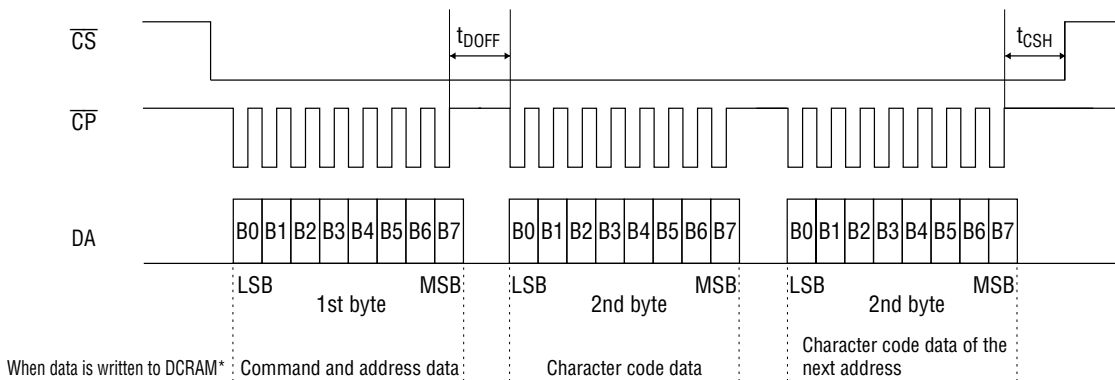
Setting the  $\overline{CS}$  pin to "Low" level enables a data transfer.

Data is 8 bits and is sequentially input into the DA pin from LSB (LSB first).

As shown in the figure below, data is read by the shift register at the rising edge of the shift clock, which is input into the  $\overline{CP}$  pin. If 8-bit data is input, internal load signals are automatically generated and data is written to each register and RAM.

Therefore it is not necessary to input load signals from the outside.

Setting the  $\overline{CS}$  pin to "High" disables data transfer. Data input from the point when the  $\overline{CS}$  pin changes from "High" to "Low" is recognized in 8-bit units.



- \* When data is written to RAM (DCRAM, ADRAM, CGRAM) continuously, addresses are internally incremented automatically. Therefore it is not necessary to specify the 1st byte to write RAM data for the 2nd and later bytes.

## Reset Function

Reset is executed when the  $\overline{RESET}$  pin is set to "L", (when turning power on, for example) and initializes all functions.

Initial status is as follows:

- Address of each RAM ..... address "00"H
- Data of each RAM ..... All contents are undefined
- General output port ..... All general output ports go "Low"
- Display digit ..... 24 digits
- Brightness adjustment ..... 8/16
- All display lights ON or OFF ..... OFF mode
- Segment output ..... All segment outputs go "Low"
- AD output ..... All AD outputs go "Low"

Please set the functions again according to "Setting Flowchart" after reset.

## Description of Commands and Functions

### 1. DCRAM data write

(Specifies the addresses 00H to 1FH of DCRAM and writes the character codes of CGROM and CGRAM.)

DCRAM (Data Control RAM) has a 5-bit address to store the character codes of CGROM and CGRAM.

The character code specified by DCRAM is converted to a  $5 \times 7$  dot matrix character pattern via CGROM or CGRAM.

(The DCRAM can store 24 characters.)

[Command format]

	LSB	B0	B1	B2	B3	B4	B5	B6	MSB	B7	
1st byte (1st)	X0	X1	X2	X3	X4	1	0	0			: selects DCRAM data write mode and specifies DCRAM address (Ex: Specifies DCRAM address 00H.)

	LSB	B0	B1	B2	B3	B4	B5	B6	MSB	B7	
2nd byte (2nd)	C0	C1	C2	C3	C4	C5	C6	C7			: specifies the character codes of CGROM and CGRAM (written into DCRAM address 00H)

To specify the character code of CGROM and CGRAM continuously to the next address, specify only character codes as follows.

The addresses of DCRAM are automatically incremented. Specification of an address is unnecessary.

	LSB	B0	B1	B2	B3	B4	B5	B6	MSB	B7	
2nd byte (3rd)	C0	C1	C2	C3	C4	C5	C6	C7			: specifies the character codes of CGROM and CGRAM (written into DCRAM address 01H)

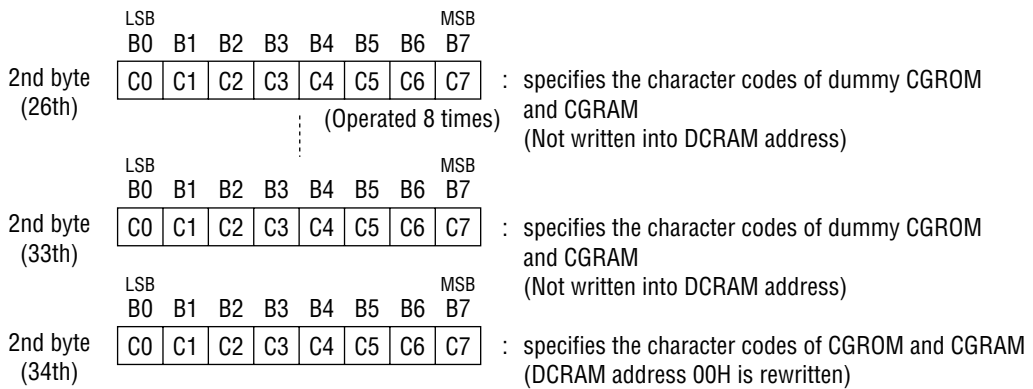
	LSB	B0	B1	B2	B3	B4	B5	B6	MSB	B7	
2nd byte (4th)	C0	C1	C2	C3	C4	C5	C6	C7			: specifies the character codes of CGROM and CGRAM (written into DCRAM address 02H)

⋮

	LSB	B0	B1	B2	B3	B4	B5	B6	MSB	B7	
2nd byte (25th)	C0	C1	C2	C3	C4	C5	C6	C7			: specifies the character codes of CGROM and CGRAM (written into DCRAM address 17H)



The character code setting of CGROM and CGRAM up to 24 digits is completed.  
 To set a character code from DCRAM address 00H continuously.  
 Specify a dummy character code between DCRAM addresses 18H and 1FH.  
 (To increment the DCRAM address automatically and set it to 00H)



X0 (LSB) to X4 (MSB): DCRAM addresses (5 bits: 24 characters)

C0 (LSB) to C7 (MSB): Character codes of CGROM and CGRAM (8 bits: 256 characters)

[COM positions and set DCRAM addresses]

HEX	X0	X1	X2	X3	X4	COM position	HEX	X0	X1	X2	X3	X4	COM position
00	0	0	0	0	0	COM1	10	0	0	0	0	1	COM17
01	1	0	0	0	0	COM2	11	1	0	0	0	1	COM18
02	0	1	0	0	0	COM3	12	0	1	0	0	1	COM19
03	1	1	0	0	0	COM4	13	1	1	0	0	1	COM20
04	0	0	1	0	0	COM5	14	0	0	1	0	1	COM21
05	1	0	1	0	0	COM6	15	1	0	1	0	1	COM22
06	0	1	1	0	0	COM7	16	0	1	1	0	1	COM23
07	1	1	1	0	0	COM8	17	1	1	1	0	1	COM24
08	0	0	0	1	0	COM9	18	0	0	0	1	1	Not fixed
09	1	0	0	1	0	COM10	19	1	0	0	1	1	Not fixed
0A	0	1	0	1	0	COM11	1A	0	1	0	1	1	Not fixed
0B	1	1	0	1	0	COM12	1B	1	1	0	1	1	Not fixed
0C	0	0	1	1	0	COM13	1C	0	0	1	1	1	Not fixed
0D	1	0	1	1	0	COM14	1D	1	0	1	1	1	Not fixed
0E	0	1	1	1	0	COM15	1E	0	1	1	1	1	Not fixed
0F	1	1	1	1	0	COM16	1F	1	1	1	1	1	Not fixed

## 2. CGRAM data write

(Specifies the addresses of CGRAM and writes character pattern data.)

CGRAM (Character Generator RAM) has a 4-bit address to store  $5 \times 7$  dot matrix character patterns.

A character pattern stored in CGRAM can be displayed by specifying the character code (address) by DCRAM.

The address of CGRAM is assigned to 00H to 0FH. (All the other addresses are the CGROM addresses.)

(The CGRAM can store 16 types of character patterns.)

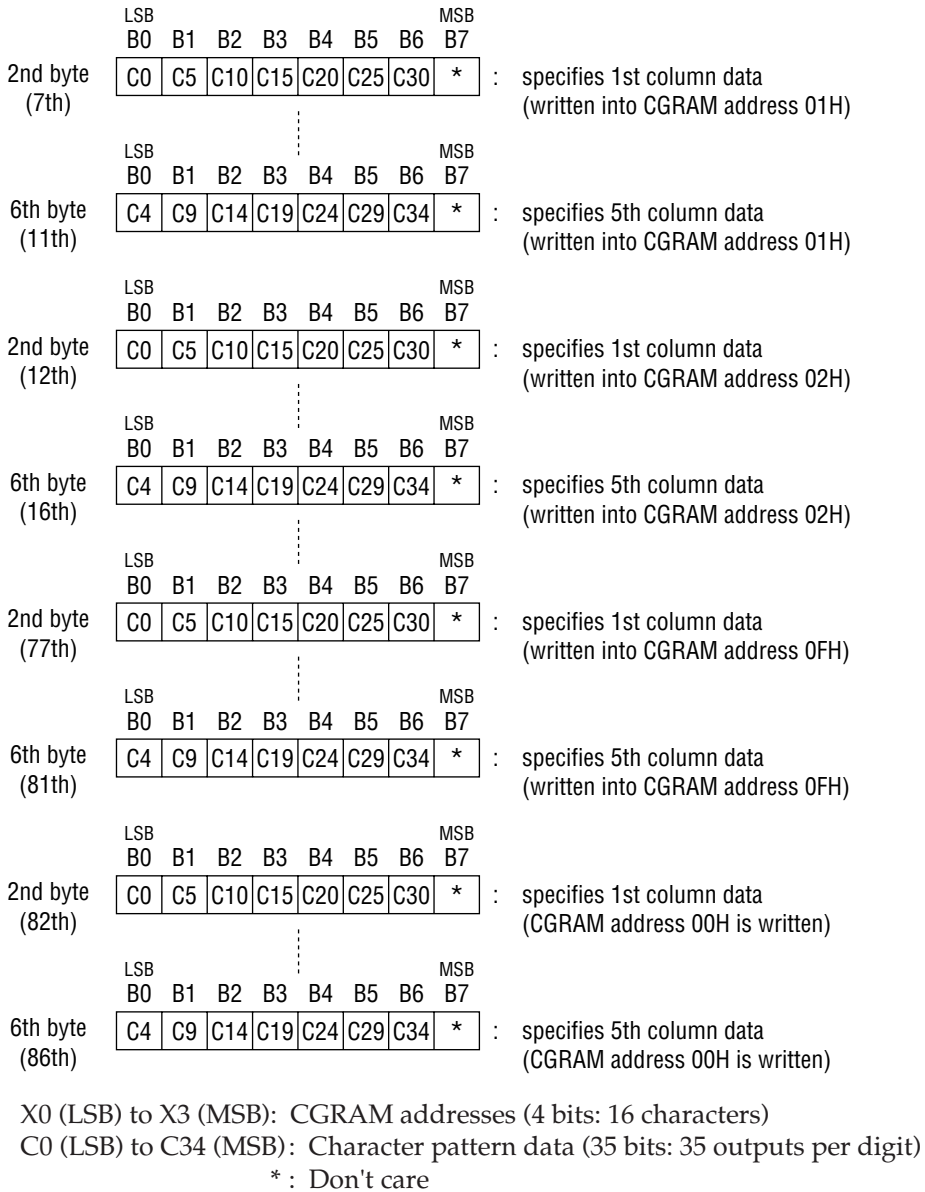
[Command format]

	LSB								MSB	
	B0	B1	B2	B3	B4	B5	B6	B7		
1st byte (1st)	X0	X1	X2	X3	*	0	1	0		: selects CGRAM data write mode and specifies CGRAM address. (Ex: Specifies CGRAM address 00H.)
	LSB								MSB	
	B0	B1	B2	B3	B4	B5	B6	B7		
2nd byte (2nd)	C0	C5	C10	C15	C20	C25	C30	*		: specifies 1st column data (written into CGRAM address 00H)
	LSB								MSB	
	B0	B1	B2	B3	B4	B5	B6	B7		
3rd byte (3rd)	C1	C6	C11	C16	C21	C26	C31	*		: specifies 2nd column data (written into CGRAM address 00H)
	LSB								MSB	
	B0	B1	B2	B3	B4	B5	B6	B7		
4th byte (4th)	C2	C7	C12	C17	C22	C27	C32	*		: specifies 3rd column data (written into CGRAM address 00H)
	LSB								MSB	
	B0	B1	B2	B3	B4	B5	B6	B7		
5th byte (5th)	C3	C8	C13	C18	C23	C28	C33	*		: specifies 4th column data (written into CGRAM address 00H)
	LSB								MSB	
	B0	B1	B2	B3	B4	B5	B6	B7		
6th byte (6th)	C4	C9	C14	C19	C24	C29	C34	*		: specifies 5th column data (written into CGRAM address 00H)

To specify character pattern data continuously to the next address, specify only character pattern data as follows.

The addresses of CGRAM are automatically incremented. Specification of an address is therefore unnecessary.

The 2nd to 6th byte (character pattern data) are regarded as one data item, so 300 ns is sufficient for  $t_{\text{DOFF}}$  time between bytes.

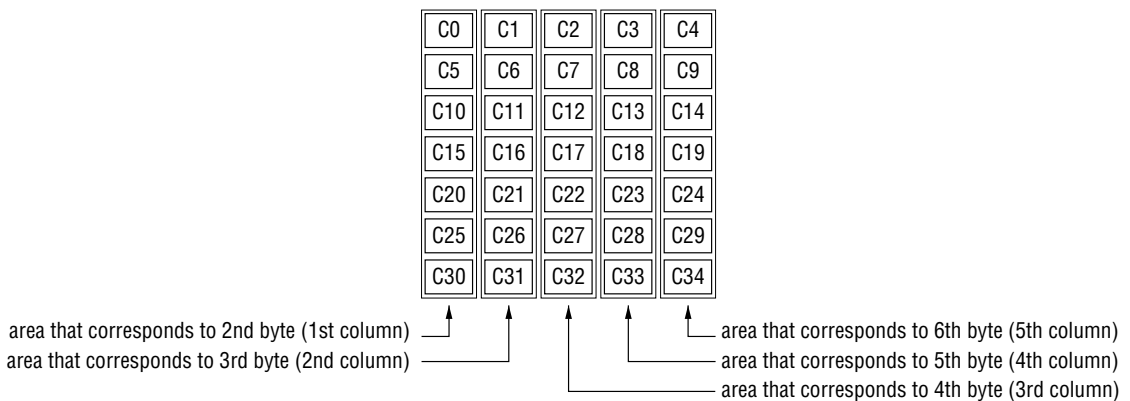


[CGROM addresses and set CGRAM addresses]

Refer to ROMCODE table

HEX	X0	X1	X2	X3	CGROM address	HEX	X0	X1	X2	X3	CGROM address
00	0	0	0	0	RAM00(00000000B)	08	0	0	0	1	RAM08(00001000B)
01	1	0	0	0	RAM01(00000001B)	09	1	0	0	1	RAM09(00001001B)
02	0	1	0	0	RAM02(00000010B)	0A	0	1	0	1	RAM0A(00001010B)
03	1	1	0	0	RAM03(00000011B)	0B	1	1	0	1	RAM0B(00001011B)
04	0	0	1	0	RAM04(00000100B)	0C	0	0	1	1	RAM0C(00001100B)
05	1	0	1	0	RAM05(00000101B)	0D	1	0	1	1	RAM0D(00001101B)
06	0	1	1	0	RAM06(00000110B)	0E	0	1	1	1	RAM0E(00001110B)
07	1	1	1	0	RAM07(00000111B)	0F	1	1	1	1	RAM0F(00001111B)

Positional relationship between the output area of CGROM and that of CGRAM



Note: CGROM (Character Generator ROM) has an 8-bit address to generate  $5 \times 7$  dot matrix character patterns.

CGRAM can store 240 types of character patterns.

## 3. ADRAM data write

(Specifies the addresses 00H to 1FH of ADRAM and writes symbol data.)

ADRAM (Additional Data RAM) has a 5-bit address to store symbol data.

Symbol data specified by ADRAM is directly output without CGROM and CGRAM.

(The ADRAM can store 4 types of symbol patterns for each digit.)

The terminal to which the contents of ADRAM are output can be used as a cursor.

[Command format]

	LSB	B0	B1	B2	B3	B4	B5	B6	B7	MSB	
1st byte (1st)	X0	X1	X2	X3	X4	1	1	0			: selects ADRAM data write mode and specifies ADRAM address (Ex: Specifies ADRAM address 00H.)
2nd byte (2nd)	C0	C1	C2	C3	*	*	*	*			: sets symbol data (written into ADRAM address 00H.)

To specify symbol data continuously to the next address, specify only symbol data as follows. The address of ADRAM is automatically incremented. Specification of addresses is therefore unnecessary.

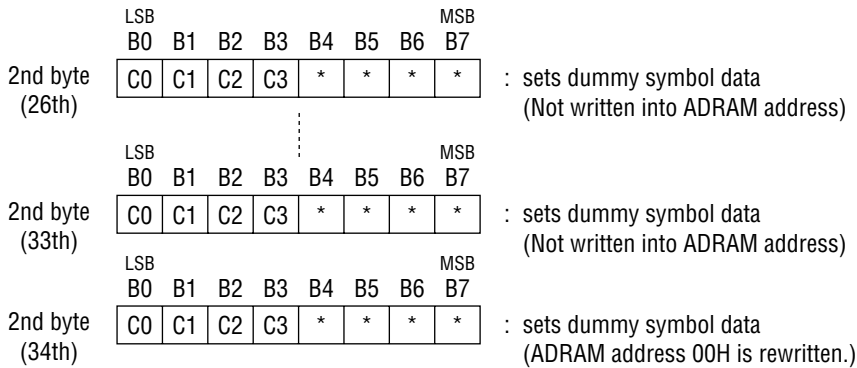
	LSB	B0	B1	B2	B3	B4	B5	B6	B7	MSB	
2nd byte (3rd)	C0	C1	C2	C3	*	*	*	*			: sets symbol data (written into ADRAM address 01H)
2nd byte (4th)	C0	C1	C2	C3	*	*	*	*			: sets symbol data (written into ADRAM address 02H)
					⋮						
2nd byte (25th)	C0	C1	C2	C3	*	*	*	*			: sets symbol data (written into ADRAM address 17H)

The symbol data setting up to 24 digits is completed.

To set symbol data from ADRAM address 00H continuously.

Specify a dummy symbol data between ADRAM addresses 18H and 1FH.

(To increment the ADRAM address automatically and set it to 00H)



X0 (LSB) to X4 (MSB): ADRAM addresses (5 bits: 24 characters)

C0 (LSB) to C3 (MSB): Symbol data (4 bits: 4-symbol data per digit)

\* : Don't care

[COM positions and ADRAM addresses]

HEX	X0	X1	X2	X3	X4	COM position	HEX	X0	X1	X2	X3	X4	COM position
00	0	0	0	0	0	COM1	10	0	0	0	0	1	COM17
01	1	0	0	0	0	COM2	11	1	0	0	0	1	COM18
02	0	1	0	0	0	COM3	12	0	1	0	0	1	COM19
03	1	1	0	0	0	COM4	13	1	1	0	0	1	COM20
04	0	0	1	0	0	COM5	14	0	0	1	0	1	COM21
05	1	0	1	0	0	COM6	15	1	0	1	0	1	COM22
06	0	1	1	0	0	COM7	16	0	1	1	0	1	COM23
07	1	1	1	0	0	COM8	17	1	1	1	0	1	COM24
08	0	0	0	1	0	COM9	18	0	0	0	1	1	Not fixed
09	1	0	0	1	0	COM10	19	1	0	0	1	1	Not fixed
0A	0	1	0	1	0	COM11	1A	0	1	0	1	1	Not fixed
0B	1	1	0	1	0	COM12	1B	1	1	0	1	1	Not fixed
0C	0	0	1	1	0	COM13	1C	0	0	1	1	1	Not fixed
0D	1	0	1	1	0	COM14	1D	1	0	1	1	1	Not fixed
0E	0	1	1	1	0	COM15	1E	0	1	1	1	1	Not fixed
0F	1	1	1	1	0	COM16	1F	1	1	1	1	1	Not fixed

4. General output port set  
(Specifies the general output port status.)

The general output port is an output for 4-bit static operation.

It is used to control other I/O devices and turn on LED. (static operation)

When at the "High" level, this output becomes the  $V_{DD}$  voltage, and when at the "Low" level, it becomes the ground potential. Therefore, the fluorescent display tube cannot be driven.

[Command format]

	LSB							MSB	
	B0	B1	B2	B3	B4	B5	B6	B7	
1st byte	P1	P2	P3	P4	*	0	0	1	: selects a general output port and specifies the output status

P1 to P4 : general output ports

\* : Don't care

[Set data and set state of general output port]

Pn	Display state of general output port
0	Sets the output to Low
1	Sets the output to High

(The state when power is applied or when  $\overline{\text{RESET}}$  is input.)

5. Display duty set  
(Writes a display duty value to the duty cycle register.)

Display duty adjusts brightness in 8 stages using 3-bit data.

When power is turned on or when the  $\overline{\text{RESET}}$  signal is input, the duty cycle register value is "0". Always execute this instruction before turning the display on, then set a desired duty value.

[Command format]

LSB	B0	B1	B2	B3	B4	B5	B6	B7	MSB	
1st byte	D0	D1	D2	*	*	1	0	1	: selects display duty set mode and sets duty value	

D0 (LSB) to D2 (MSB) : display duty data (3 bits: 8 stages)

\* : Don't care

[Relation between setup data and controlled COM duty]

HEX	D0	D1	D2	COM duty
0	0	0	0	8/16
1	1	0	0	9/16
2	0	1	0	10/16
3	1	1	0	11/16
4	0	0	1	12/16
5	1	0	1	13/16
6	0	1	1	14/16
7	1	1	1	15/16

← (The state when power is turned on or when  $\overline{\text{RESET}}$  signal is input.)



6. Number of digits set  
(Writes the number of display digits to the display digit register.)

The number of digits set can display 9 to 24 digits using 4-bit data.

When power is turned on or when a  $\overline{\text{RESET}}$  signal is input, the number of digit register value is "0". Always execute this instruction to change the number of digits before turning the display on.

[Command format]

	LSB									MSB	
	B0	B1	B2	B3	B4	B5	B6	B7			
1st byte	K0	K1	K2	K3	*	0	1	1	: selects the number of digit set mode and specifies the number of digit value		

K0 (LSB) to K3 (MSB) : number of digit data (4 bits: 16 digits)

\* : Don't care

[Relation between setup data and controlled COM]

HEX	K0	K1	K2	K3	Number of digits of COM	HEX	K0	K1	K2	K3	Number of digits of COM
0	0	0	0	0	COM1 to 24	8	0	0	0	1	COM1 to 16
1	1	0	0	0	COM1 to 9	9	1	0	0	1	COM1 to 17
2	0	1	0	0	COM1 to 10	A	0	1	0	1	COM1 to 18
3	1	1	0	0	COM1 to 11	B	1	1	0	1	COM1 to 19
4	0	0	1	0	COM1 to 12	C	0	0	1	1	COM1 to 20
5	1	0	1	0	COM1 to 13	D	1	0	1	1	COM1 to 21
6	0	1	1	0	COM1 to 14	E	0	1	1	1	COM1 to 22
7	1	1	1	0	COM1 to 15	F	1	1	1	1	COM1 to 23

\* The state when power is turned on or when  $\overline{\text{RESET}}$  signal is input.

7. All display lights ON/OFF set  
(Turns all display lights ON or OFF.)

All display lights ON is used primarily for display testing.

All display lights OFF is primarily used for display blink and to prevent malfunction when power is turned on.

This command cannot control the general output port.

[Command format]

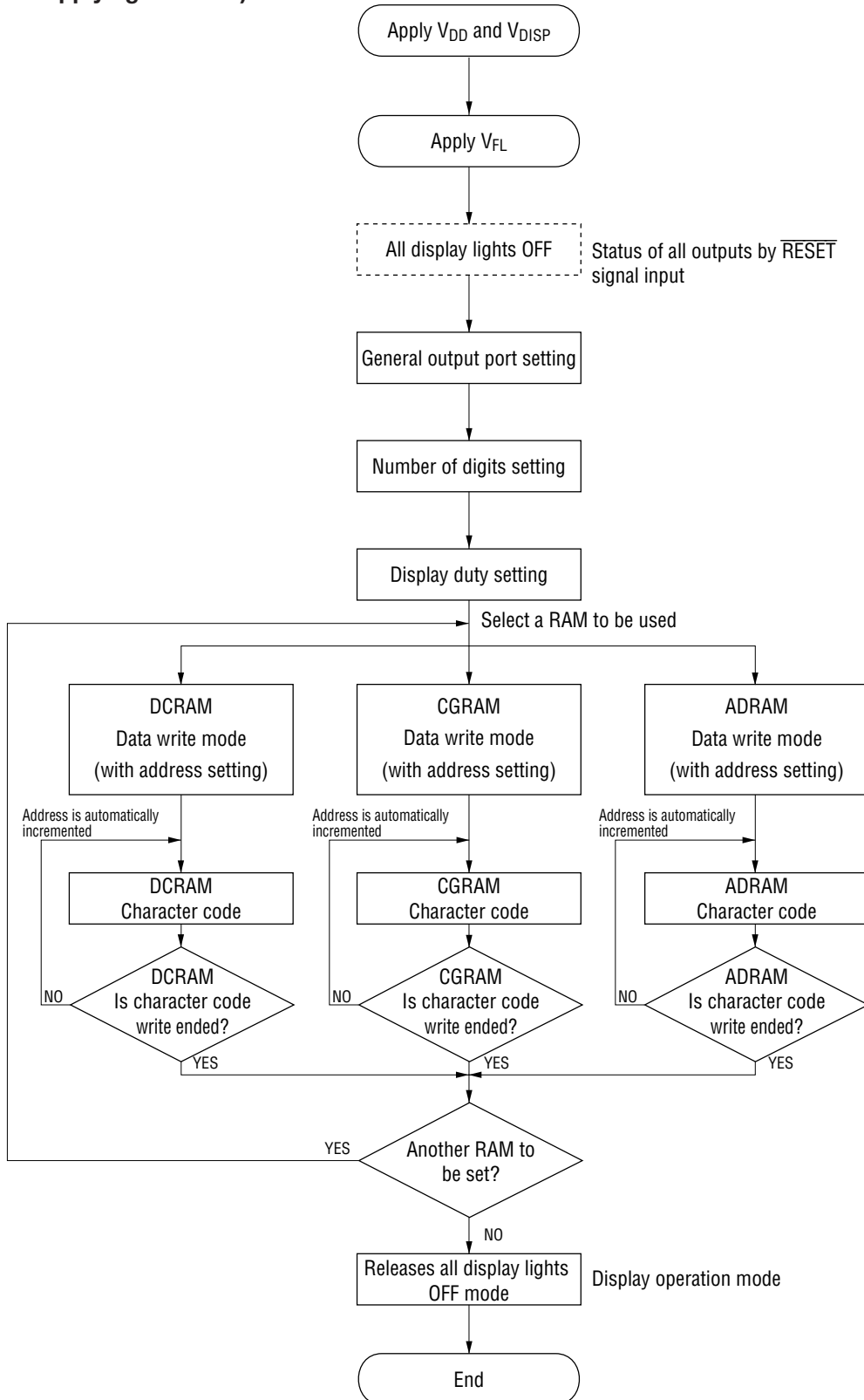
	LSB							MSB	
	B0	B1	B2	B3	B4	B5	B6	B7	
1st byte	L	H	*	*	*	1	1	1	: selects all display lights ON or OFF mode and specifies display operation
	L and H: display operation data								
	*: Don't care								

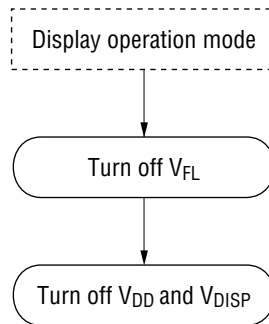
[Set data and display state of SEG and AD]

L	H	Display state of SEG and AD
0	0	Normal display
1	0	Sets all outputs to Low
0	1	Sets all outputs to High
1	1	Sets all outputs to High

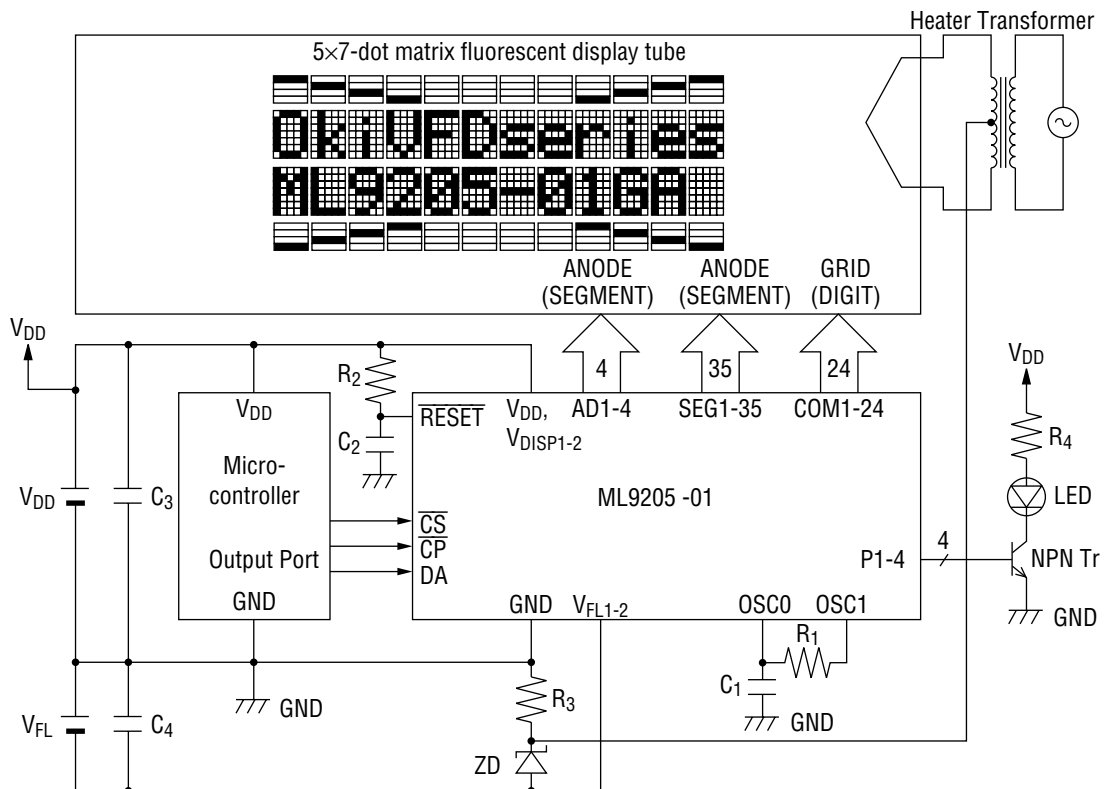
(The state when power is applied or when  $\overline{\text{RESET}}$  is input.)

**Setting Flowchart  
(Power applying included)**



**Power-off Flowchart**

## APPLICATION CIRCUIT

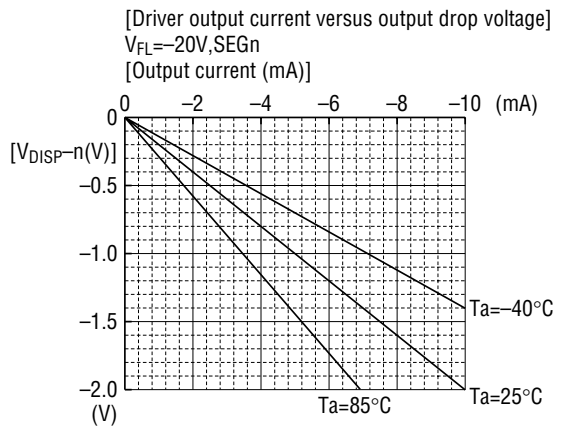
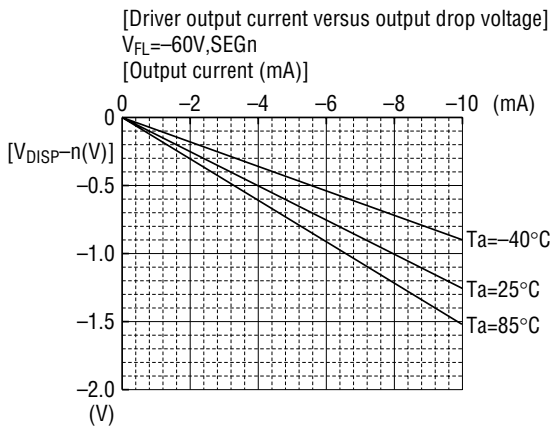
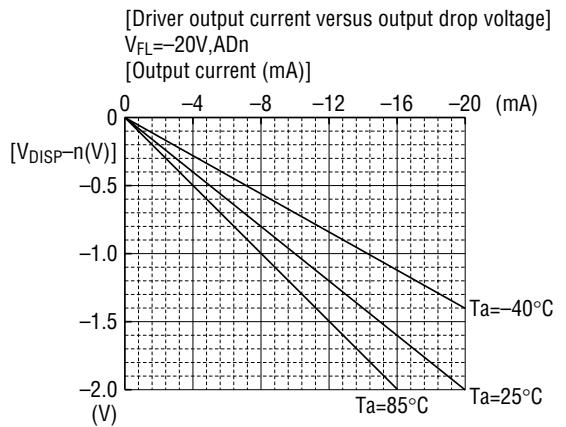
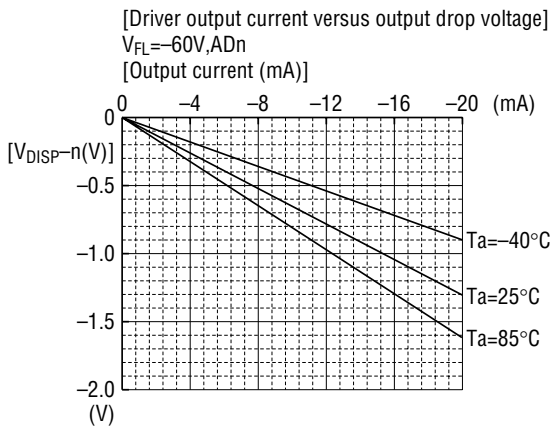
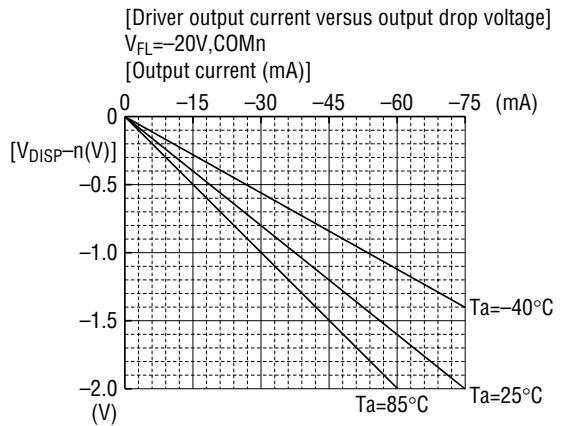
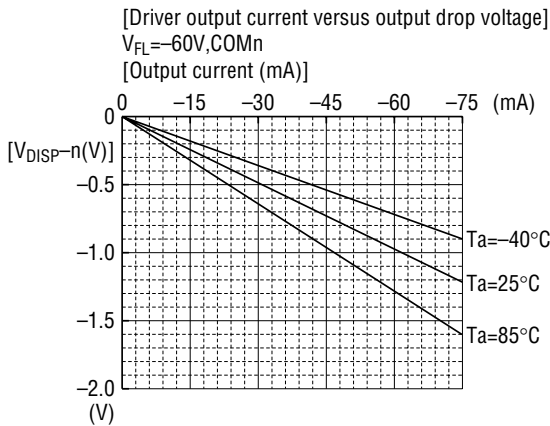


- Notes: 1. The  $V_{DD}$  value depends on the power supply voltage of the microcontroller used. Adjust the values of the constants  $R_1$ ,  $R_2$ ,  $R_4$ ,  $C_1$ , and  $C_2$  to the power supply voltage used.
2. The  $V_{FL}$  value depends on the fluorescent display tube used. Adjust the values of the constants  $R_3$  and  $ZD$  to the power supply voltage used.

REFERENCE DATA

Graphs illustrating the  $V_{FL}$  versus driver output current capability relationship are shown below.

Care must be taken not to use the total power in excess of allowable power dissipation.



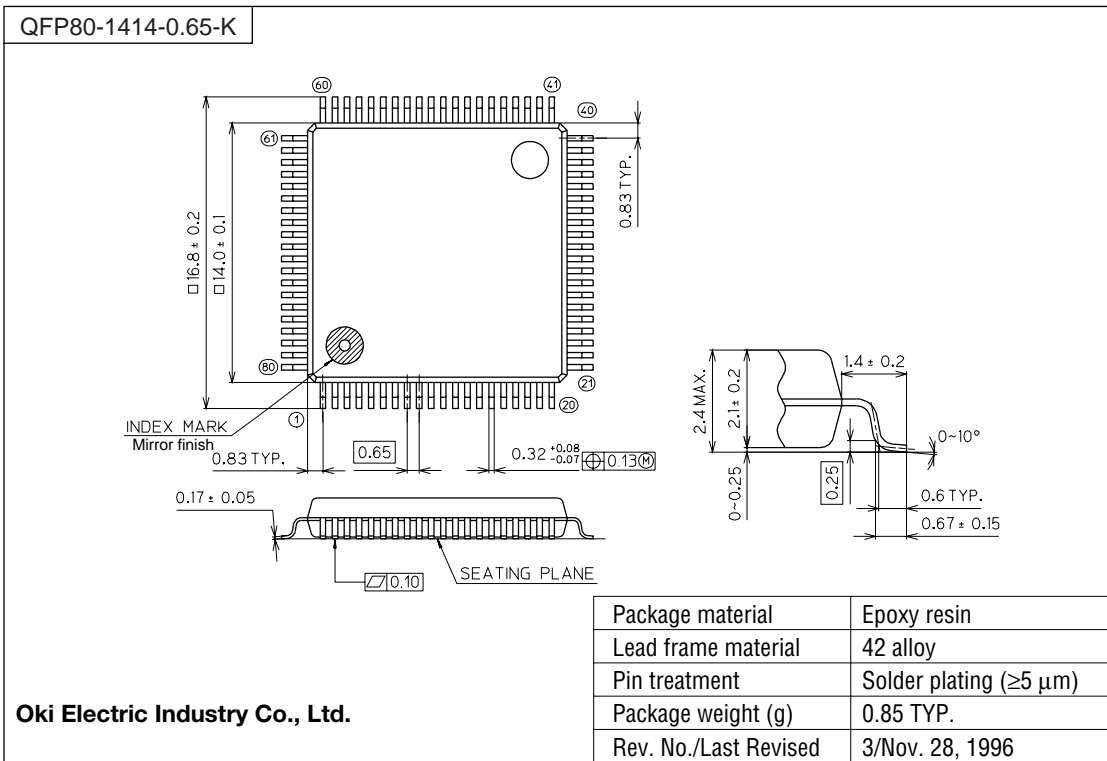
**ML9205-01 ROM Code**

00000000B (00H) to 00000111B (0FH) are the CGRAM addresses.

MSB LSB		0000	0001	0010	0011	0100	0101	0110	0111	1000	1001	1010	1011	1100	1101	1110	1111
0000	RAM0																
0001	RAM1																
0010	RAM2																
0011	RAM3																
0100	RAM4																
0101	RAM5																
0110	RAM6																
0111	RAM7																
1000	RAM8																
1001	RAM9																
1010	RAMA																
1011	RAMB																
1100	RAMC																
1101	RAMD																
1110	RAME																
1111	RAMF																

**PACKAGE DIMENSIONS**

(Unit : mm)

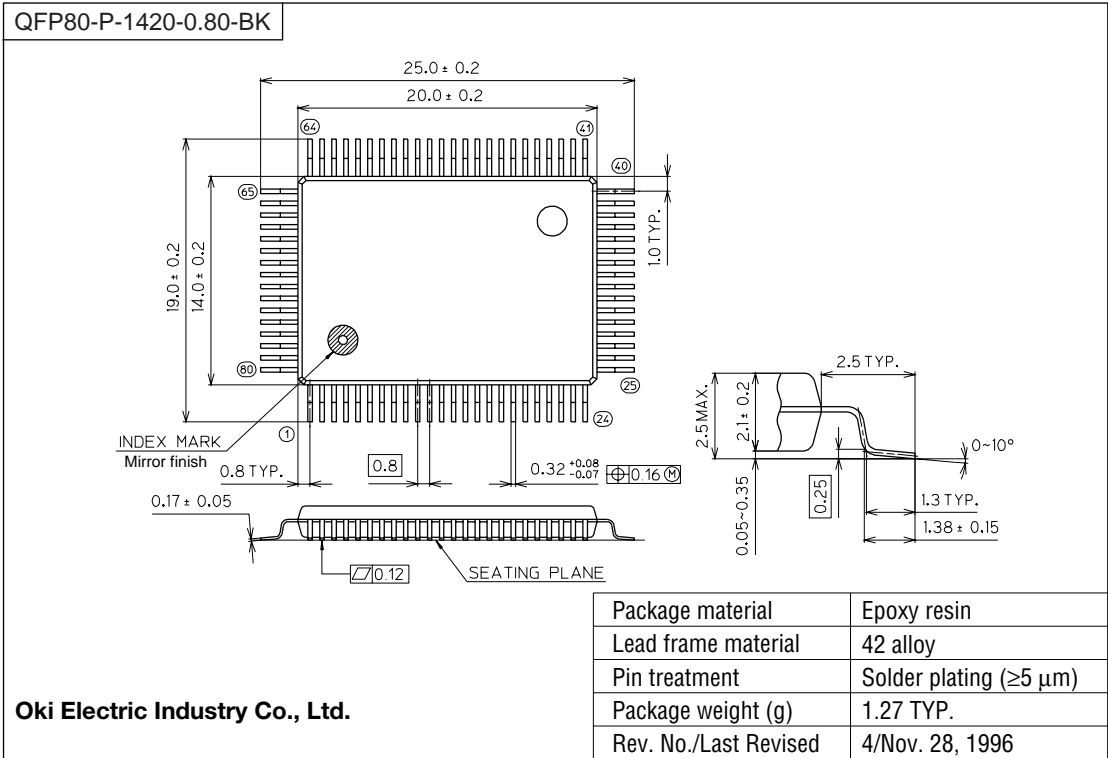


Notes for Mounting the Surface Mount Type Package

The SOP, QFP, TSOP, TQFP, LQFP, SOJ, QFJ (PLCC), SHP, and BGA are surface mount type packages, which are very susceptible to heat in reflow mounting and humidity absorbed in storage. Therefore, before you perform reflow mounting, contact Oki's responsible sales person on the product name, package name, pin number, package code and desired mounting conditions (reflow method, temperature and times).



(Unit : mm)



Notes for Mounting the Surface Mount Type Package

The SOP, QFP, TSOP, TQFP, LQFP, SOJ, QFJ (PLCC), SHP, and BGA are surface mount type packages, which are very susceptible to heat in reflow mounting and humidity absorbed in storage. Therefore, before you perform reflow mounting, contact Oki's responsible sales person on the product name, package name, pin number, package code and desired mounting conditions (reflow method, temperature and times).

NOTICE

1. The information contained herein can change without notice owing to product and/or technical improvements. Before using the product, please make sure that the information being referred to is up-to-date.
2. The outline of action and examples for application circuits described herein have been chosen as an explanation for the standard action and performance of the product. When planning to use the product, please ensure that the external conditions are reflected in the actual circuit, assembly, and program designs.
3. When designing your product, please use our product below the specified maximum ratings and within the specified operating ranges including, but not limited to, operating voltage, power dissipation, and operating temperature.
4. Oki assumes no responsibility or liability whatsoever for any failure or unusual or unexpected operation resulting from misuse, neglect, improper installation, repair, alteration or accident, improper handling, or unusual physical or electrical stress including, but not limited to, exposure to parameters beyond the specified maximum ratings or operation outside the specified operating range.
5. Neither indemnity against nor license of a third party's industrial and intellectual property right, etc. is granted by us in connection with the use of the product and/or the information and drawings contained herein. No responsibility is assumed by us for any infringement of a third party's right which may result from the use thereof.
6. The products listed in this document are intended for use in general electronics equipment for commercial applications (e.g., office automation, communication equipment, measurement equipment, consumer electronics, etc.). These products are not authorized for use in any system or application that requires special or enhanced quality and reliability characteristics nor in any system or application where the failure of such system or application may result in the loss or damage of property, or death or injury to humans. Such applications include, but are not limited to, traffic and automotive equipment, safety devices, aerospace equipment, nuclear power control, medical equipment, and life-support systems.
7. Certain products in this document may need government approval before they can be exported to particular countries. The purchaser assumes the responsibility of determining the legality of export of these products and will take appropriate and necessary steps at their own expense for these.
8. No part of the contents contained herein may be reprinted or reproduced without our prior permission.
9. MS-DOS is a registered trademark of Microsoft Corporation.

Copyright 2000 Oki Electric Industry Co., Ltd.