

MICRO ELECTRONICS

MLD571

ONE Lamp / LED
Driver

DISCRIPTION

The MLD571 are low power CMOS LSI in TO-92 package, designed for the application of lamp and LED flash driver. It can be operated without any external components. Therefore it is very suitable for such applications as flash badge, gift card, flash ear-ring and other flash products.

FEATURE

C-MOS Metal-Gate Process.

Operating voltage : 1.2V - 4.5V

Built-in oscillator.

Flash rate = 1.2Hz Approximately.

1/8 Duty cycle output.

Minimum driving capability : 10mA at 3V

Minimum external component.

ABSOLUTE MAXIMUM RATINGS (Ta=25°C)

Supply Voltage

0 to 5V

Operating Temperature Range

0 to +70°C

Storage Temperature Range

-50 to +125°C

ELECTRICAL CHARACTERISTICS

| PARAMETER | SYMBOL | MIN | TYP | MAX | UNIT | CONDITIONS |
|---------------------|--------|-----|-----|-----|------|--------------------|
| Operating voltage | VDD | 1.2 | 3 | 4.5 | V | - |
| Operating current | Iop | - | 200 | 500 | μA | VD=3V, No load |
| Output sink current | IoI | 5 | 8 | - | mA | VDD=1.5V, Vol=0.5V |
| | | 10 | 15 | - | mA | VDD=3V, Vol=0.5V |
| Built-in frequency | fosc | - | 32k | - | Hz | VDD=3V, Vol=0.5V |



MICRO ELECTRONICS LTD.

38, Hung To Road, Microtron Building, Kwun Tong, Kowloon, Hong Kong.

Kwun Tong P.O. Box 69477 Hong Kong. Fax No. 2341 0321 Telex: 43510 Micro Hx. Tel: 2343 0181-5

MICRO ELECTRONICS

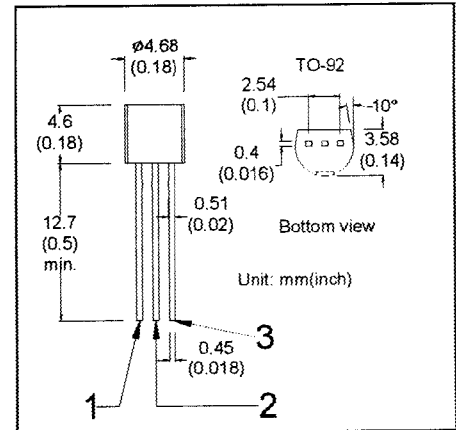
MLD571

ONE Lamp / LED Driver

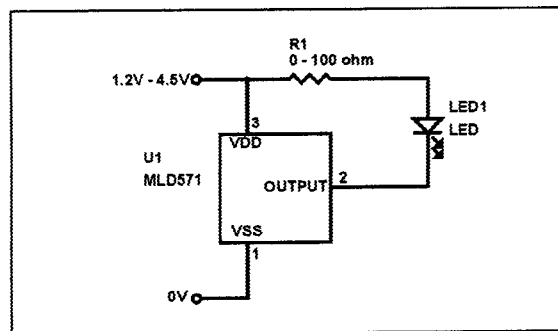
PIN ASSIGNMENT (TO-92)

PIN NO.

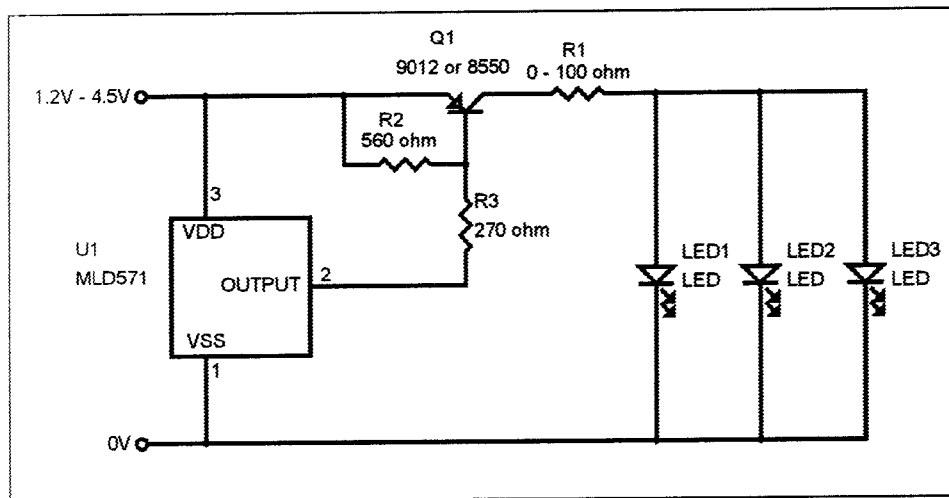
- 1 VSS (Negative power supply, GND.)
- 2 OUTPUT (lamp/LED flash output, N-MOS open drain.)
- 3 VDD (Positive power supply.)



Application circuit 1



Application circuit 2 (for reference only)



MICRO ELECTRONICS LTD.

38, Hung To Road, Microtron Building, Kwun Tong, Kowloon, Hong Kong.

Kwun Tong P.O. Box 69477 Hong Kong. Fax No. 2341 0321 Telex: 43510 Micro Hx. Tel: 2343 0181-5