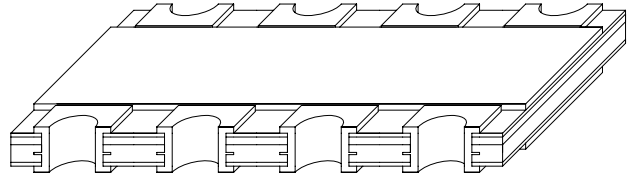


Features

- Multilayer structure
- The ESD material hide in the middle of the component
- The planer surface easy to pick up
- Extremely low capacitance
- Very low leakage current
- Fast response time
- Bi-directional
- Surface mount
- Lead free solder termination
- 1206 package
- Protects four data lines
- Assistant equipment to pass IEC 61000-4-2
- The best ESD protection for high frequency, low voltage applications



Application

- Cellular phone
- Antennas (Cell phone, GPS...)
- High speed Ethernet
- USB2.0 and IEEE1394 interface
- DVI and HDMI interface

Electrical Characteristics

ESD Capability:

IEC 61000-4-2 direct discharge.....	8 KV
IEC 61000-4-2 air discharge.....	15 KV
Trigger voltage.....	100V
Clamping voltage.....	20V typical
Rated voltage.....	12V
Capacitance.....	0.15pf
Leakage.....	< 5nA

Notes:

1. Trigger and clamping voltage measure per IEC 61000-4-2, 8KV direct discharge method
2. Capacitance measured at 1MHZ
3. Leakage current measured at 10VDC

Environmental Specifications

Operation temperature: -40~90°C

Moisture Resistance, Steady state: MIL-STD-883, Method 1004.7, 85% RH, 85°C, 1000hrs

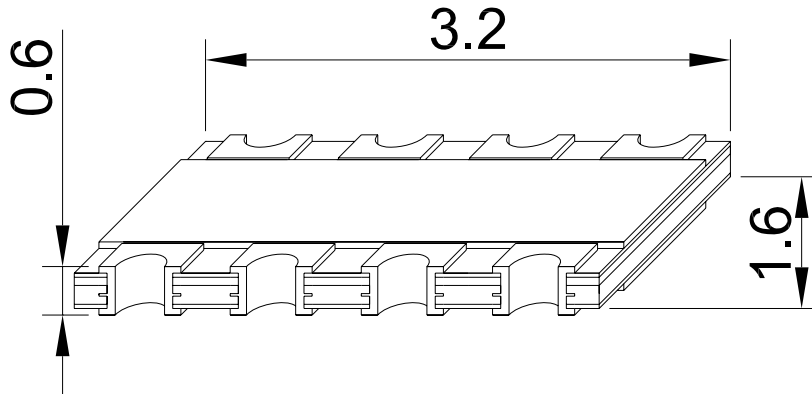
Thermal Shock: MIL-STD-202, Method 107G, -65°C to 125°C, 30 min cycle, 10 cycles.

Vibration: MIL-STD-202F, Method 201A, (10 to 55 to 10HZ, 1 min. cycle, 2grs each in X-Y-Z)

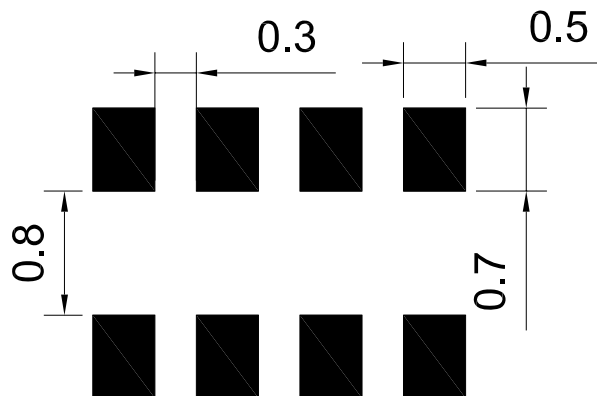
Chemical Resistance: ASTM D-543, 4hrs @40°C, 3 solutions (H₂O, detergent solution, deluxer)

Solder leach resistance and terminal adhesion: Per EIA-576 test

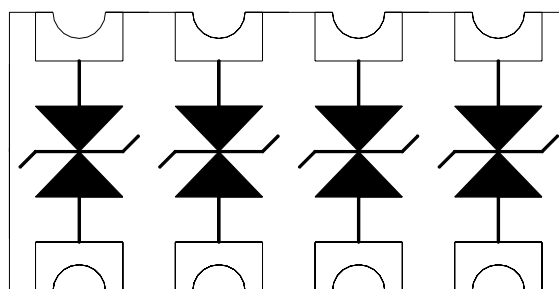
Product Dimensions (mm)



Print foot



Electrical Diagram



Package Information

Tape & Reel: 4000pcs per reel.

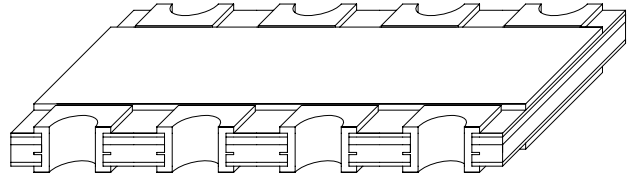
Contact information

SEMITEL INTERNATIONAL LIMITED
14H , Universal Industrial Building , 19-25 Shan Mei Street ,
Fotan , Shatin , Hong Kong
Tel:00852-35273141 Fax:00852-35251735
EMAIL: info@semiteltech.com

Rev. letter		Date	
Design	Check	Audit	Approve

Features

- Multilayer structure
- The ESD material hide in the middle of the component
- The planer surface easy to pick up
- Extremely low capacitance
- Very low leakage current
- Fast response time
- Bi-directional
- Surface mount
- Lead free solder termination
- 1206 package
- Protects four data lines
- Assistant equipment to pass IEC 61000-4-2
- The best ESD protection for high frequency, low voltage applications



Application

- Cellular phone
- Antennas (Cell phone, GPS...)
- High speed Ethernet
- USB2.0 and IEEE1394 interface
- DVI and HDMI interface

Electrical Characteristics

ESD Capability:

IEC 61000-4-2 direct discharge.....	8 KV
IEC 61000-4-2 air discharge.....	15 KV
Trigger voltage.....	300V
Clamping voltage.....	40V typical
Rated voltage.....	30V
Capacitance.....	0.15pf
Leakage.....	< 5nA

Notes:

1. Trigger and clamping voltage measure per IEC 61000-4-2, 8KV direct discharge method
2. Capacitance measured at 1MHZ
3. Leakage current measured at 10VDC

Environmental Specifications

Operation temperature: -40~90°C

Moisture Resistance, Steady state: MIL-STD-833, Method 1004.7, 85% RH, 85°C, 1000hrs

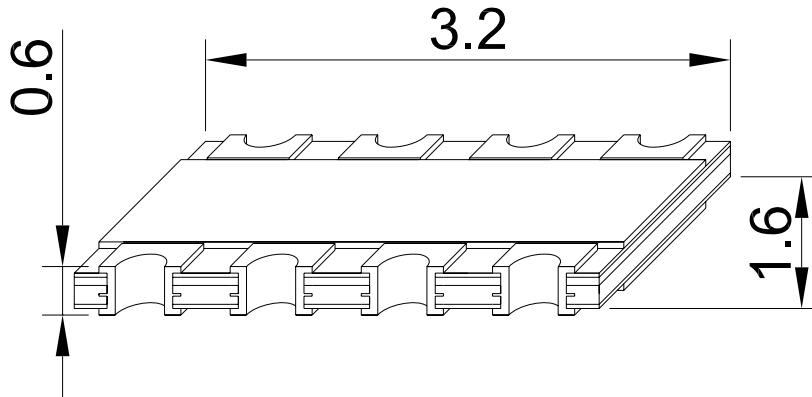
Thermal Shock: MIL-STD-202, Method 107G, -65°C to 125°C, 30 min cycle, 10 cycles.

Vibration: MIL-STD-202F, Method 201A, (10 to 55 to 10HZ, 1 min. cycle, 2grs each in X-Y-Z)

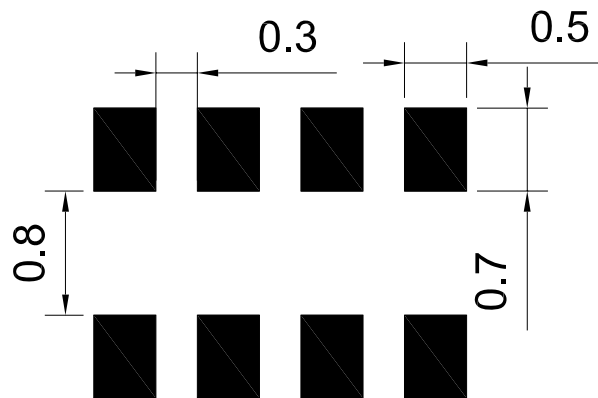
Chemical Resistance: ASTM D-543, 4hrs @40°C, 3 solutions (H₂O, detergent solution, deluxer)

Solder leach resistance and terminal adhesion: Per EIA-576 test

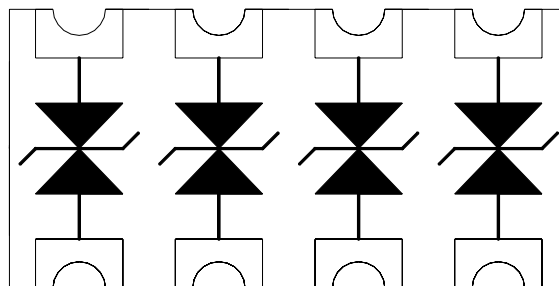
Product Dimensions (mm)



Print foot



Electrical Diagram



Package Information

Tape & Reel: 4000pcs per reel.

Contact information

SEMITEL INTERNATIONAL LIMITED
14H , Universal Industrial Building , 19-25 Shan Mei Street ,
Fotan , Shatin , Hong Kong
Tel:00852-35273141 Fax:00852-35251735
EMAIL: info@semiteltech.com

Rev. letter		Date	
Design	Check	Audit	Approve