

Features and Benefits

- ❑ Analog 0-5V ratiometric output
- ❑ Single pin programming (through output)
- ❑ Fast response time
- ❑ Extended temperature range
- ❑ Cost effective "electronic trimming"
- ❑ Second order compensation of offset and gain
- ❑ Internal temperature sensor provided

Application Examples

- ❑ Pressure transducers, strain gauges, accelerometers, position sensors, etc...
- ❑ Industrial sensors
- ❑ Automotive after market sensors
- ❑ All resistive bridge sensors

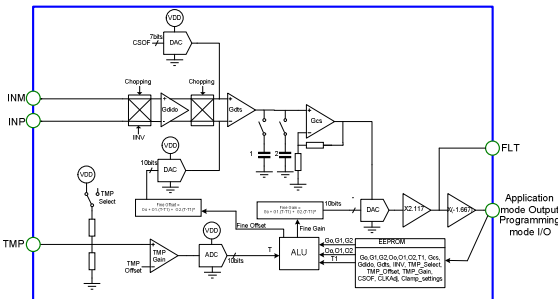
Ordering Information

Part No.
MLX90326LFR

Temperature Code
L (-40°C to 150°C)

Package Code
FR (SSOP 209 mil)

1 Functional Diagram



2 General Description

The MLX90326 covers the most typical resistive type of Wheatstone bridge applications for use in an industrial or automotive after market environment. It is a monolithic silicon analog integrated sensor interface that converts small changes in resistors, configured in a full Wheatstone bridge on a sensing element, to large output voltage variations.

The signal conditioning includes gain adjustment, offset control and second order temperature compensation in order to accommodate variations of the different resistive sensing elements. Compensation values are stored in EEPROM and can be reprogrammed with an interface circuit and a provided software.

The MLX90326 is programmed with a single wire serial interface through the output pin.

Table of Contents

| | |
|---|----|
| 1 Functional Diagram | 1 |
| 2 General Description | 1 |
| 3 Absolute Maximum Ratings | 3 |
| 4 Pin Definitions and Descriptions | 4 |
| 5 General Electrical Specifications..... | 5 |
| 6 General Description | 7 |
| 7 Unique Features | 7 |
| 8 Application Information | 8 |
| 8.1 Ratio-metric mode with external temperature sensor..... | 8 |
| 8.2 Ratio-metric mode with no external temperature sensor..... | 9 |
| 8.3 Non Ratio-metric mode with external temperature sensor..... | 9 |
| 8.4 Non Ratio-metric mode with no external temperature sensor..... | 10 |
| 9 Standard information regarding manufacturability of Melexis products with different soldering processes | 11 |
| 10 ESD Precautions..... | 11 |
| 11 Package Information | 12 |
| 12 Disclaimer | 13 |

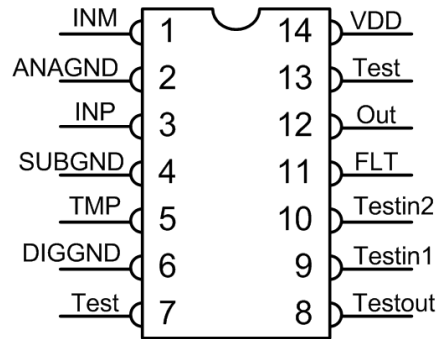
3 Absolute Maximum Ratings

| Parameter. | Min | Max | Units | Comments |
|--|-----|-----|-------|---------------------------------|
| Supply Voltage, $V_{DD} - V_{SS}$ | 4.5 | 5.5 | V | Operating within specifications |
| Operating Temperature Range, $T_{environment}$ | -40 | 150 | °C | |
| Storage Temperature Range | -50 | 150 | °C | |
| Programming Temperature Range | -40 | 125 | °C | |
| Package Thermal Resistance | | 130 | °C/W | |
| ESD Sensitivity | 2 | | kV | HBM. CDF - AEC - Q100-002 |

Table 1: Absolute maximum ratings

Exceeding the absolute maximum ratings may cause permanent damage. Exposure to absolute-maximum-rated conditions for extended periods may affect device reliability.

4 Pin Definitions and Descriptions



| Package Pin Nr | Short Name | Dir | Type | Function / Description |
|----------------|------------|-------|--------|--|
| 1 | INM | IN | Analog | Bridge Sensor Negative |
| 2 | ANAGND | gnd | | Analog Ground |
| 3 | INP | IN | Analog | Bridge Sensor Positive |
| 4 | SUB | gnd | | Substrate Ground |
| 5 | TMP | IN | Temp | External Temperature Sensor (Resistor to supply) |
| 6 | DIGGND | gnd | | Digital Ground |
| 7 | Test | NC | | On module to ground. |
| 8 | TESTOUT | OUT | Test | Test Output. On module to ground |
| 9 | TESTIN1 | IN | Test | Test Input 1: CLKEXT, TEST (3 level) |
| 10 | TESTIN2 | IN | Test | Test Input 2: DATAIN, SCAN (3 level) |
| 11 | FLT | OUT | Analog | Filter pin |
| 12 | OUT | BI | Analog | Analog output and communication pin |
| 13 | Test | NC | | On module to ground |
| 14 | VDD | power | Supply | Supply |

Table 2: Pin definitions and descriptions

5 General Electrical Specifications

DC Operating Parameters $T_A = -40^{\circ}\text{C}$ to 150°C , $V_{DD} = 5.0\text{V}$ (unless otherwise specified)

| Parameter. | Symbol | Comments | Min | Typ | Max | Units |
|------------------------------|--------|--|-----------|-----|----------|---------------|
| Supply Voltage | VDD | | 4.5 | | 5.5 | V |
| Supply Current | IDD | No output load, $V_{DD}=5\text{V}\pm 10\%$ | 4 | | 9 | mA |
| Output capacitive load | | $10\Omega < R_{\text{SERIES}} < 10\text{ k}\Omega$ | 0 | | 100 | nF |
| Output resistive load | | To reach 5%VDD to 95%VDD | 2.4 | | | k Ω |
| Output current capability | | | ± 1.9 | | | mA |
| Output short circuit current | | $V_{DD}=5\text{V}\pm 10\%$ | | | ± 50 | mA |
| Digital output current | | | ± 2 | | ± 5 | mA |
| V_{DD} line inductance | | | 0 | | 22 | μH |

| Signal path general Specifications | | | | | | |
|---|-------------------|---------------------|-------|--|------|------------------------|
| Parameter. | Symbol | Comments | Min | Typ | Max | Units |
| Overall gain | | | 12.7 | | 442 | V/V |
| Coarse gain | G_{dido} | 1bit programmable | | 3.25 ($G_{\text{dido}} = 0$) 13 ($G_{\text{dido}} = 1$) | | V/V |
| | G_{dts} | 1bit programmable | | 2 ($G_{\text{dts}} = 0$) 5 ($G_{\text{dts}} = 1$) | | V/V |
| | G_{cs} | 1bit programmable | | 1.24 ($G_{\text{cs}} = 0$) 1.9375 ($G_{\text{cs}} = 1$) | | V/V |
| Fine gain | Fgain | 10 bit programmable | 0.448 | | 0.99 | V/V |
| Typical sensor output span that can be accommodated to achieve 4V output span | | | 1.8 | | 63 | mV/V _{supply} |

| | | | | | | |
|---|--|--|----|--|------|------------------------|
| Typical sensor offset that can be compensated | | | | | 97.2 | mV/V _{supply} |
| Output Offset programmable | | | 10 | | 90 | %V _{DD} |
| Output Offset resolution | | | | | 0.1 | %V _{DD} |
| Overall non linearity | | Best fit value | | | ±0.1 | %V _{DD} |
| Wake-up time at power up | | | | | 10 | ms |
| Output noise | | 47nF FLT capacitance with maximum gain | | | 5 | mV _{rms} |
| Response time | | Set by an external capacitor | | | 0.1 | ms |

Table 3: Electrical specifications

6 General Description

The MLX90326 can be used with almost any type of resistive bridge sensor without the need of any additional signal conditioning.

The differential input signal is offset compensated and amplified to achieve the desired output voltage. With a coarse gain calibration the MLX90326 can easily accommodate sensor output spans in the 1.8mV/V to 63mV/V range to achieve 4 V output span. Sensor output offsets up to 97.2mV/V (depending on the sensor output span and on the desired output offset) can be compensated with the coarse offset calibration to achieve an output offset in the 0.5V to 4.5V range.

7 Unique Features

Offset canceling

The offset of amplifier D1D0 is cancelled by using a chopping mechanism. Also the amplifier DTS and all sample-and-hold circuits make use of an offset canceling mechanism. This means that the contribution of the on-chip offsets and offset drifts is negligible compared to the external sensor offset and offset drift.

Coarse and fine second order calibration of the sensitivity and offset.

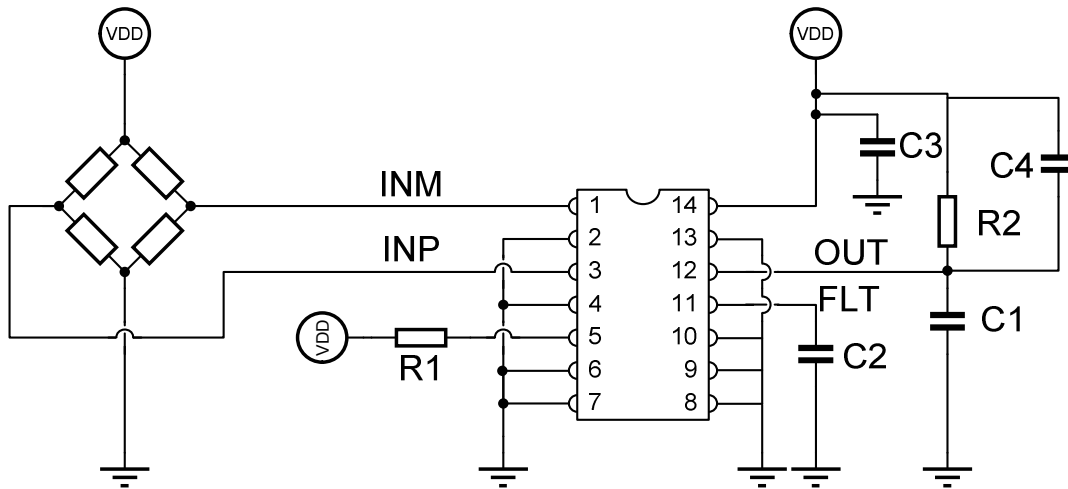
The MLX90326 can be calibrated to achieve 4V output span for a sensor output span in the 1.8mV/V to 63mV/V and can compensate 0.4mV/V to 97.2mV/V input offset depending on the sensor output span and on the desired MLX90326 output offset voltage. A wide range of sensor sensitivity and offset temperature drift can be compensated with the second order fine gain and offset calibration.

EEPROM

All the calibration data is stored three times on an EEPROM and a majority voting is done when accessing data. Parity check is used to diagnose data corruption. After all calibrations parameters were successfully written to EEPROM, the EEPROM can be locked by sending a 'Lock EEPROM' command (see paragraph 6). This is strongly recommended to avoid in application mode data corruption. For reliability reasons, actually each calibration bit is stored three times in the EEPROM and the circuit uses a hardware majority voting system when accessing data.

8 Application Information

8.1 Ratio-metric mode with external temperature sensor.



The external temperature sensor is only needed for applications where the temperature surrounding the customer sensor is different from the temperature surrounding the MLX90326. In the ratio-metric application mode, to keep the accuracy, the same supply should be used for the customer sensor, the MLX90326 and an ADC that makes the digital conversion of the analog output signal.

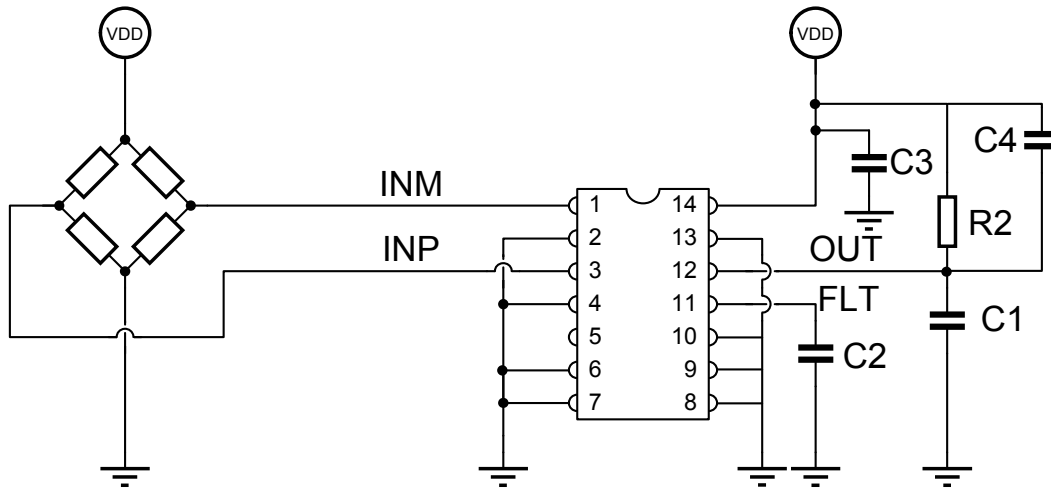
The C1 capacitor value (output) is typically 47nF. Range: 0 – 100nF.

The capacitor C2 on the FLT pin is optional. Typical value = 10nF. Range: 0 – 100nF. It is used to decrease the noise and set the bandwidth of the system. The decoupling capacitors C3 between the supply and the ground and C4 between output and supply have a typical value of 47nF.

The external resistor R1 is placed between the TMP pin and the supply. It is used as an external temperature sensor. The external temperature sensor could be of type Panasonic, ERAS15J103V (R1 = 10k +/- 5%, TCR = 1500ppm/degC +/- 200ppm/degC) for the -40°C to 140°C temperature range.

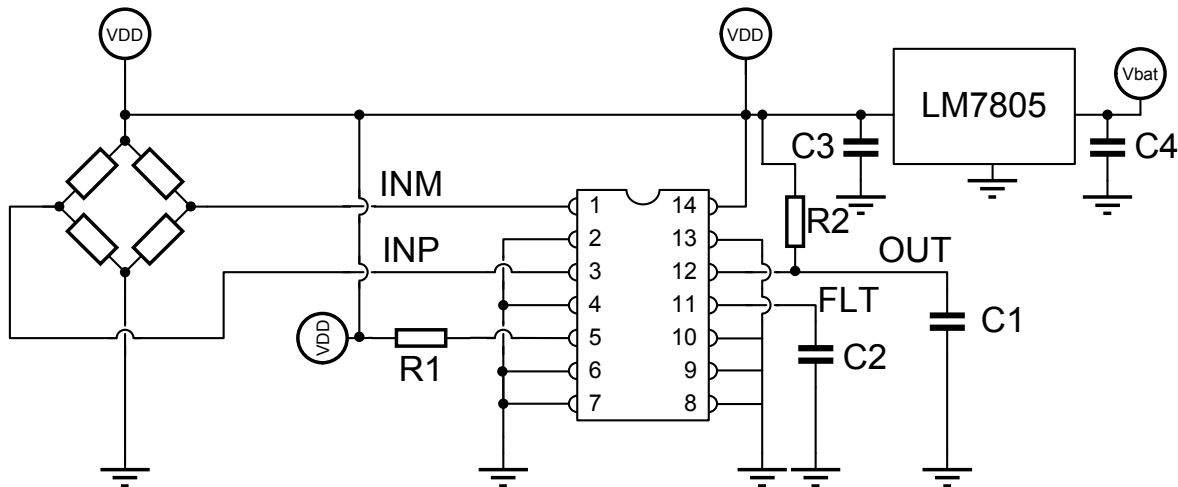
| Typical pull up resistor R2 value is 2.4kOhm.

8.2 Ratio-metric mode with no external temperature sensor.



C1, C2, C3, C4 and R2 have the same values as for the ratio-metric application with use of external temperature sensor.
The internal temperature sensor can be used when the temperature surrounding the customer sensor and the MLX90326 is the same.

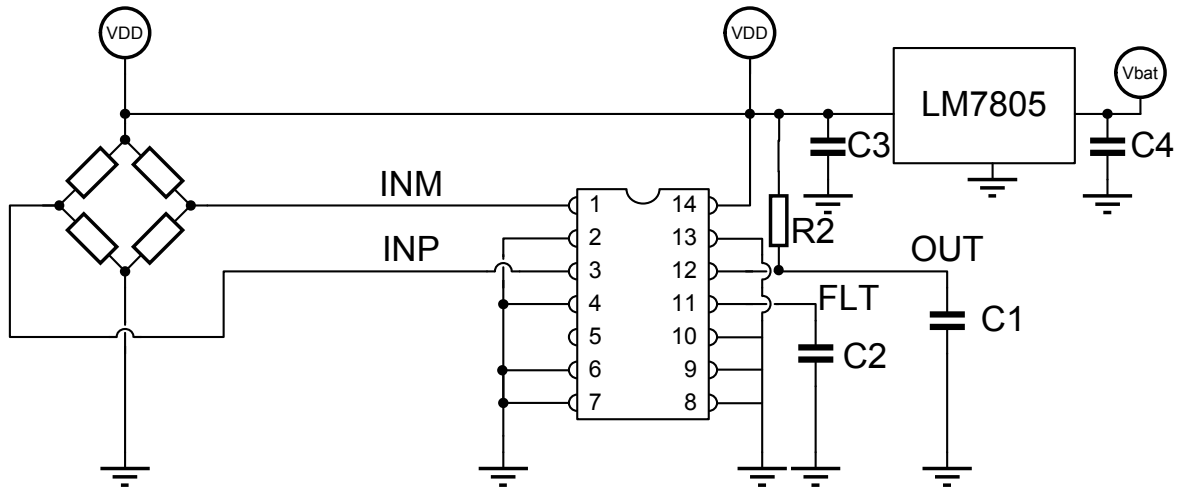
8.3 Non Ratio-metric mode with external temperature sensor.



www.DataSheet4U.com

With the use of an external voltage regulator to supply the sensor, the MLX90326 as well as an ADC used for converting the analog output signal, the MLX90326 can be used in a non ratio-metric mode. An example of standard voltage regulator is the LM7805. C1, C2, R1 and R2 are the same as in the ratio-metric application mode. C4 has a typical value of 330nF and C3 of 100nF in this application mode.

8.4 Non Ratio-metric mode with no external temperature sensor.



In this application mode the LM7805 generates the supply for the sensor, for the MLX90326 and for an ADC used to convert the analog output signal in a digital value. C1, C2, C3, C4 and R2 are the same as in the non ratio-metric application mode with external temperature sensor.

9 Standard information regarding manufacturability of Melexis products with different soldering processes

Our products are classified and qualified regarding soldering technology, solderability and moisture sensitivity level according to following test methods:

Reflow Soldering SMD's (Surface Mount Devices)

- IPC/JEDEC J-STD-020
Moisture/Reflow Sensitivity Classification for Nonhermetic Solid State Surface Mount Devices (classification reflow profiles according to table 5-2)
- EIA/JEDEC JESD22-A113
Preconditioning of Nonhermetic Surface Mount Devices Prior to Reliability Testing (reflow profiles according to table 2)

Wave Soldering SMD's (Surface Mount Devices) and THD's (Through Hole Devices)

- EN60749-20
Resistance of plastic- encapsulated SMD's to combined effect of moisture and soldering heat
- EIA/JEDEC JESD22-B106 and EN60749-15
Resistance to soldering temperature for through-hole mounted devices

Iron Soldering THD's (Through Hole Devices)

- EN60749-15
Resistance to soldering temperature for through-hole mounted devices

Solderability SMD's (Surface Mount Devices) and THD's (Through Hole Devices)

- EIA/JEDEC JESD22-B102 and EN60749-21
Solderability

For all soldering technologies deviating from above mentioned standard conditions (regarding peak temperature, temperature gradient, temperature profile etc) additional classification and qualification tests have to be agreed upon with Melexis.

The application of Wave Soldering for SMD's is allowed only after consulting Melexis regarding assurance of adhesive strength between device and board.

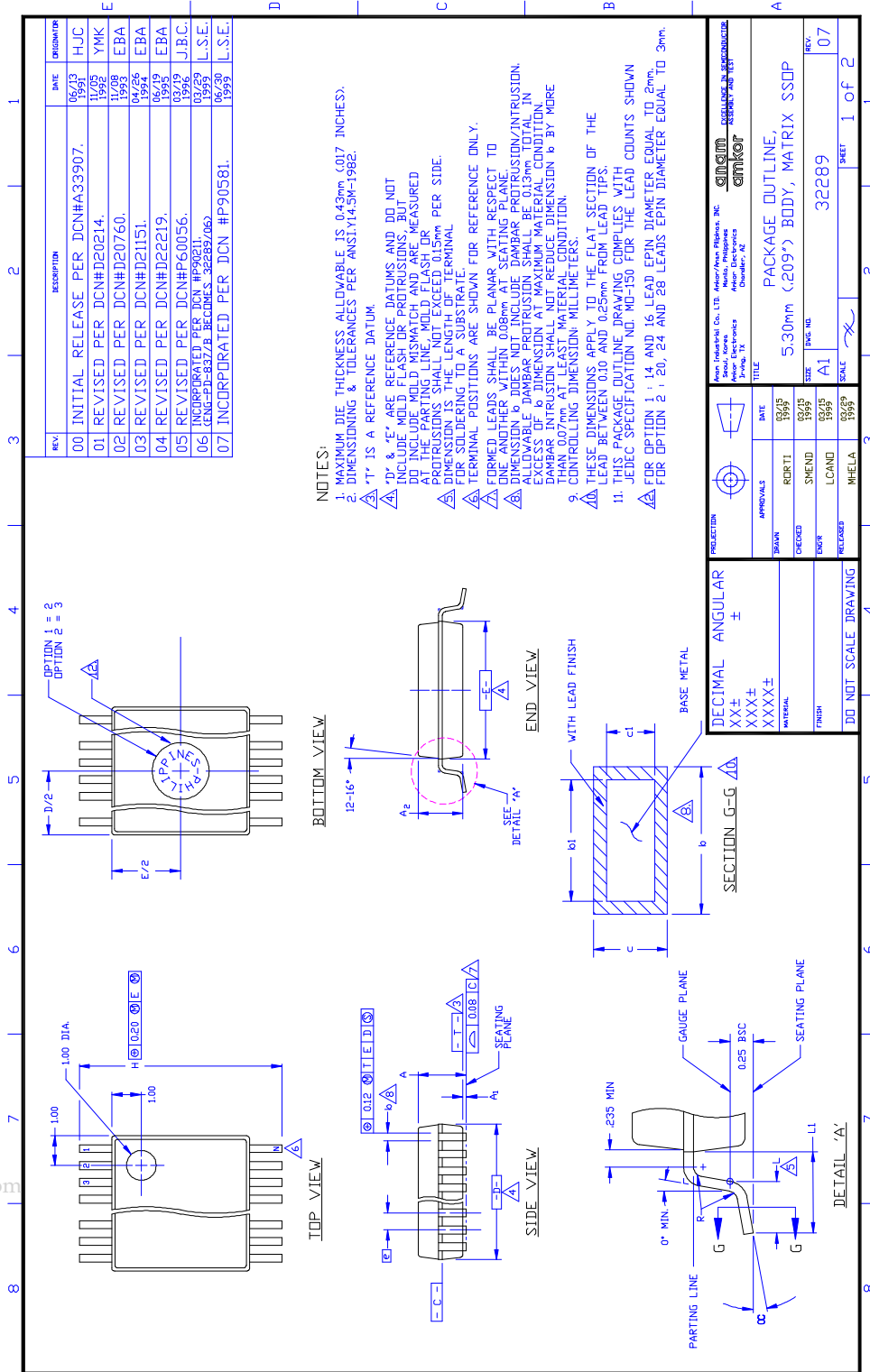
Melexis is contributing to global environmental conservation by promoting **lead free** solutions. For more information on qualifications of **RoHS** compliant products (RoHS = European directive on the Restriction Of the use of certain Hazardous Substances) please visit the quality page on our website:

<http://www.melexis.com/quality.asp>

10 ESD Precautions

Electronic semiconductor products are sensitive to Electro Static Discharge (ESD). Always observe Electro Static Discharge control procedures whenever handling semiconductor products.

11 Package Information



www.DataSheet4U.com

12 Disclaimer

Devices sold by Melexis are covered by the warranty and patent indemnification provisions appearing in its Term of Sale. Melexis makes no warranty, express, statutory, implied, or by description regarding the information set forth herein or regarding the freedom of the described devices from patent infringement. Melexis reserves the right to change specifications and prices at any time and without notice. Therefore, prior to designing this product into a system, it is necessary to check with Melexis for current information. This product is intended for use in normal commercial applications. Applications requiring extended temperature range, unusual environmental requirements, or high reliability applications, such as military, medical life-support or life-sustaining equipment are specifically not recommended without additional processing by Melexis for each application.

The information furnished by Melexis is believed to be correct and accurate. However, Melexis shall not be liable to recipient or any third party for any damages, including but not limited to personal injury, property damage, loss of profits, loss of use, interrupt of business or indirect, special incidental or consequential damages, of any kind, in connection with or arising out of the furnishing, performance or use of the technical data herein. No obligation or liability to recipient or any third party shall arise or flow out of Melexis' rendering of technical or other services.

© 2005 Melexis NV. All rights reserved.

For the latest version of this document, go to our website at
www.melexis.com

Or for additional information contact Melexis Direct:

Europe, Africa, Asia:

Phone: +32 1367 0495

E-mail: sales_europe@melexis.com

America:

Phone: +1 603 223 2362

E-mail: sales_usa@melexis.com

www.DataSheet4U.com

ISO/TS 16949 and ISO14001 Certified