



MMBD4148

DIODE

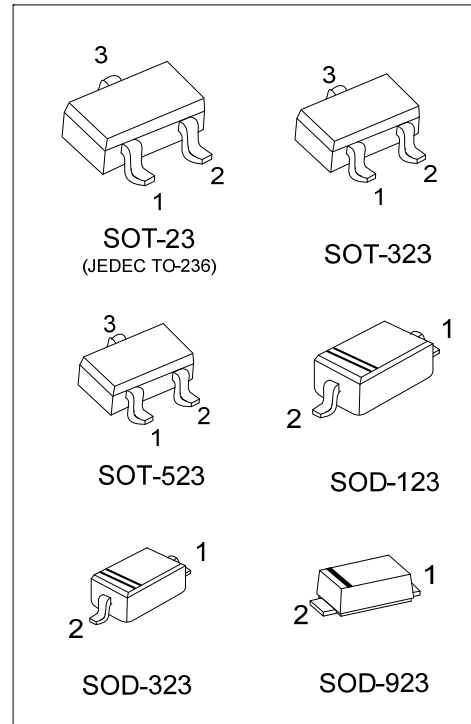
HIGH-SPEED SWITCHING DIODE

DESCRIPTION

The UTC **MMBD4148** is designed for high-speed switching application in hybrid thick-and thin-film circuits. The devices is manufactured by the silicon epitaxial planar process and packed in plastic surface mount package.

FEATURES

- * Ultra-high speed
- * Low forward voltage
- * Fast reverse recovery time



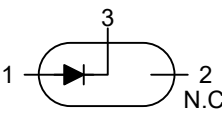
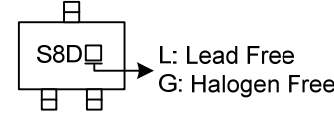
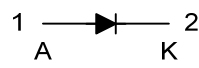
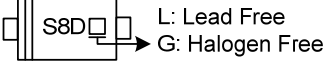
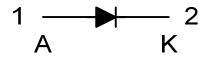
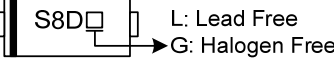
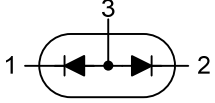
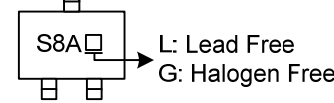
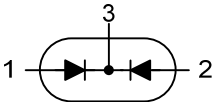
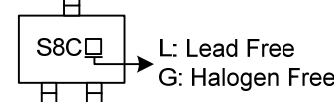
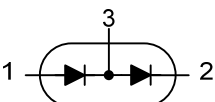
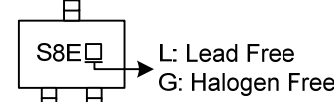
ORDERING INFORMATION

Ordering Number		Package	Pin Assignment			Packing
Lead Free	Halogen Free		1	2	3	
MMBD4148L-AE3-R	MMBD4148G-AE3-R	SOT-23	A	NC	K	Tape Reel
MMBD4148L-AL3-R	MMBD4148G-AL3-R	SOT-323	A	NC	K	Tape Reel
MMBD4148L-AN3-R	MMBD4148G-AN3-R	SOT-523	A	NC	K	Tape Reel
MMBD4148L-CA2-R	MMBD4148G-CA2-R	SOD-123	A	K	-	Tape Reel
MMBD4148L-CB2-R	MMBD4148G-CB2-R	SOD-323	A	K	-	Tape Reel
MMBD4148L-CF2-R	MMBD4148G-CF2-R	SOD-923	A	K	-	Tape Reel
MMBD4148CAL-AE3-R	MMBD4148CAG-AE3-R	SOT-23	K2	K1	A2A1	Tape Reel
MMBD4148CCL-AE3-R	MMBD4148CCG-AE3-R	SOT-23	A2	A1	K2K1	Tape Reel
MMBD4148SEL-AE3-R	MMBD4148SEG-AE3-R	SOT-23	A2	K1	K2A1	Tape Reel

Note: Pin assignment: A: Anode K: Cathode NC: No Connection

<p>MMBD4148G-AE3-R</p> <p>(1)Packing Type (2)Package Type (3)Green Package</p>	<p>(1) R: Tape Reel (2) AE3: SOT-23, AL3: SOT-323, AN3: SOT-523 CA2: SOD-123, CB2: SOD-323 (3) G: Halogen Free and Lead Free, L: Lead Free</p>
----------------------------------------------------------------------------------------	------------------------------------------------------------------------------------------------------------------------------------------------------------

■ DIODE CONFIGURATION, SYMBOL AND MARKING

PRODUCT NAME	PACKAGE	SYMBOL	MARKING
MMBD4148	SOT-23 SOT-323 SOT-523		
	SOD-123 SOD-323		
	SOD-923		
MMBD4148CA	SOT-23		
MMBD4148CC			
MMBD4148SE			

■ ABSOLUTE MAIMUM RATINGS (T_A=25°C, unless otherwise specified)

PARAMETER		SYMBOL	RATINGS	UNIT
Maimum Repetitive Reverse Voltage		V _{RRM}	100	V
Average Rectified Forward Current		I _{F(AV)}	250	mA
Non-repetitive Peak Forward Surge Current	Pulse Width = 1.0 sec	I _{FSM}	1.0	A
	Pulse Width = 1.0 μs		2.0	A
Power Dissipation (Note 3)	SOT-23	P _D	350	mW
	SOT-323		270	mW
	SOT-523		220	mW
	SOD-123		400	mW
	SOD-323		250	mW
	SOD-923		100	mW
Junction Temperature		T _J	-65 ~ +150	°C
Storage Temperature		T _{STG}	-65 ~ +150	°C

Notes: 1. Absolute maimum ratings are those values beyond which the device could be permanently damaged.

Absolute maimum ratings are stress ratings only and functional device operation is not implied.

2. These ratings are based on a maimum junction temperature of 200°C.

3. Device mounted on FR-4 PCB minimum land pad.

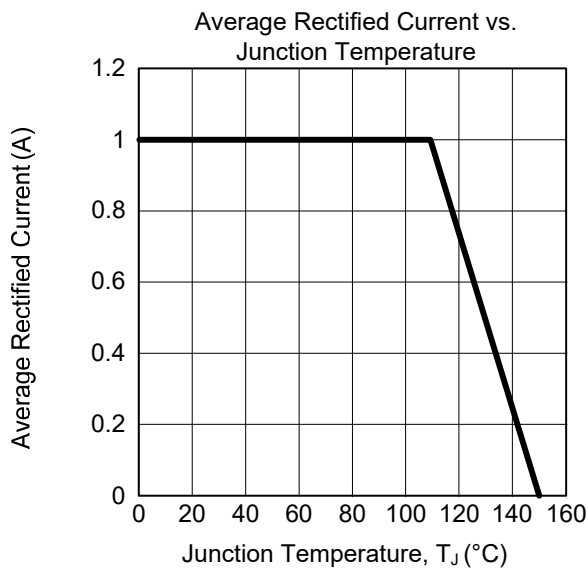
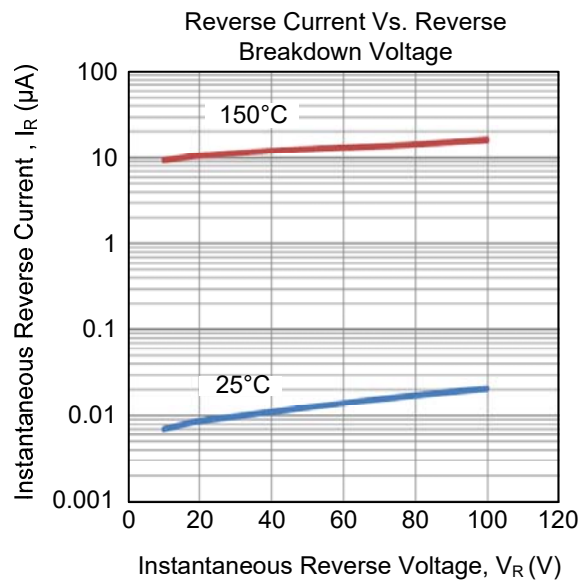
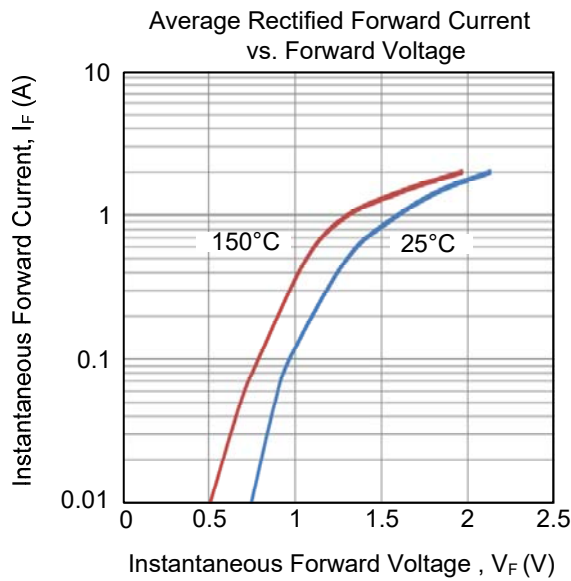
■ THERMAL DATA

CHARACTERISTIC		SYMBOL	RATINGS	UNIT
Junction to Ambient	SOT-23	θ _{JA}	357	°C/W
	SOT-323		460	°C/W
	SOT-523		550	°C/W
	SOD-123		312	°C/W
	SOD-323		500	°C/W
	SOD-923		1250	°C/W

■ ELECTRICAL CHARACTERISTICS (T_A=25°C, unless otherwise specified)

PARAMETER	SYMBOL	TEST CONDITIONS	MIN	TYP	MA	UNIT
Breakdown Voltage	V _R	I _R =5.0μA	75			V
		I _R =100μA	100			V
Forward Voltage	V _F	I _F =10mA			0.855	V
Reverse Current	I _R	V _R =20V			25	nA
		V _R =75V			5.0	μA
Total Capacitance	C _T	V _R =0V, f =1.0MHz		4.0		pF

■ TYPICAL CHARACTERISTICS



UTC assumes no responsibility for equipment failures that result from using products at values that exceed, even momentarily, rated values (such as maximum ratings, operating condition ranges, or other parameters) listed in products specifications of any and all UTC products described or contained herein. UTC products are not designed for use in life support appliances, devices or systems where malfunction of these products can be reasonably expected to result in personal injury. Reproduction in whole or in part is prohibited without the prior written consent of the copyright owner. UTC reserves the right to make changes to information published in this document, including without limitation specifications and product descriptions, at any time and without notice. This document supersedes and replaces all information supplied prior to the publication hereof.