

MN-120 SERIES

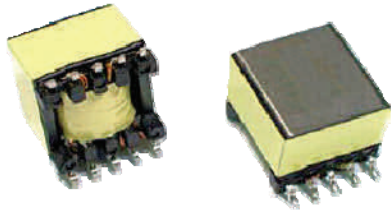
MINNTRONIX

Wind Up the Best®

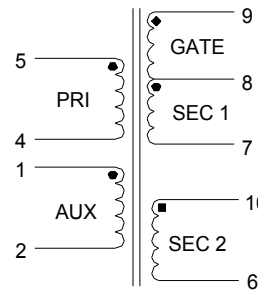
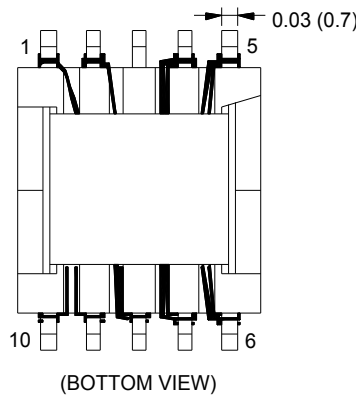
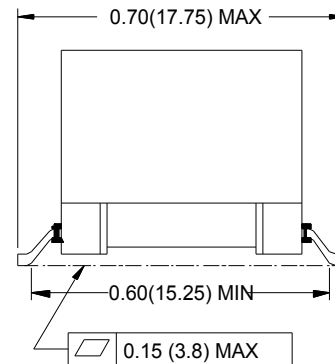
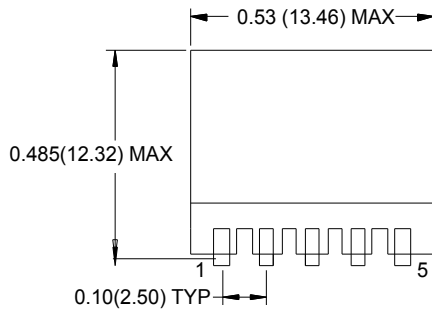
Power Over Ethernet (PoE) Transformer



Phone: 1.605.884.0195
 Fax: 1.605.884.0199
 www.minntronix.com



- Optimized for 250kHz with 14-60 Vin
- 2000Vrms isolation (Pri-Sec)
- Ambient temperature -40°C to +85°C
- Operating/storage temp. range: -40°C to +85°C
- 10V auxiliary winding
- Works with National Semiconductor LM5071 PD Controller



UNIT: Inch (mm)

Electrical Specification at 25°C

Part Number	Inductance ¹ at 0 A ± 10% (uH)	Leakage Inductance ² (uH max)	Isat (ADC)	Inductance at Isat (uH min)	DCR (Ω Max)	Turns Ratio	Output		
MN-120-001	35.0	0.95	2.0	30	Pri (5-4)	0.062			
					Aux (1-2)	0.225	Pri:Aux	1:0.533	10V, 0.05A
					Gate (9-8)	0.138	Pri:Gate	1:0.266	5.5V, 0.05A
					Sec 1 (8-7)	0.012	Pri:Sec 1	1:0.2	3.3V, 2.0A
					Sec 2 (10-6)	0.018	Pri:Sec 2	1:0.266	5.0V, 1.0A

1. Inductance is measured at 250kHz, 0.2Vrms, 0Adc.
2. Leakage inductance is for the primary winding with the secondary windings shorted (at 250kHz 0.2Vrms).

Specifications subject to change. Custom versions of any Minntronix products are available upon request.

MN-120 SERIES