

MN4002B / MN4002BS

Dual 4-Input NOR Gates

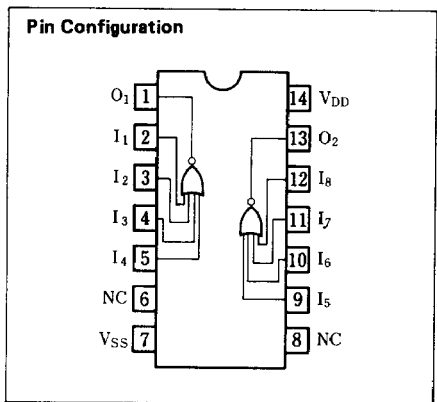
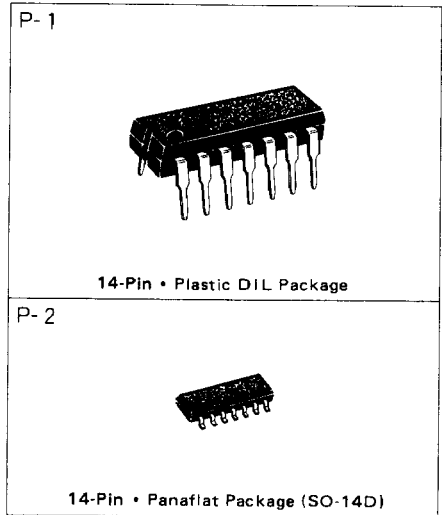
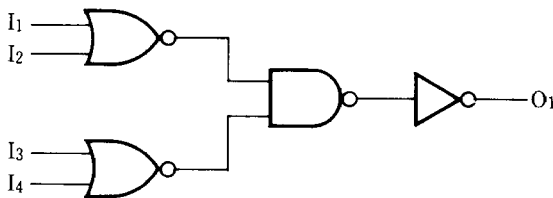
■ Description

The MN4002B/S are positive 4-input NOR gates and have 2 circuits in a package.

The outputs are fully buffered to improve the propagation characteristics between the input and output which are affected by increasing load capacitance and minimizes propagation delay time. Their primary use is where low power dissipation and/or high noise immunity is desired.

The MN4002B/S are equivalent to MOTOROLA MC14002B and RCA CD4002B.

■ Logic Diagram (1/2)



■ Maximum Ratings (Ta=25°C)

Item	Symbol	Ratings	Unit
Supply Voltage	V _{DD}	-0.5 ~ +18	V
Input Voltage	V _I	-0.5 ~ V _{DD} + 0.5*	V
Output Voltage	V _O	-0.5 ~ V _{DD} + 0.5*	V
Peak Input · Output Current	±I _I	max. 10	mA
Power Dissipation (per package)	T _a = -40 ~ +60°C	max. 400	mW
	T _a = +60 ~ +85°C	Decrease up to 200mW rating at 8mW/°C	
Power Dissipation (per output terminal)	P _D	max. 100	mW
Operating Ambient Temperature	T _{opr}	-40 ~ +85	°C
Storage Temperature	T _{stg}	-65 ~ +150	°C

* V_{DD} + 0.5V should be under 18V

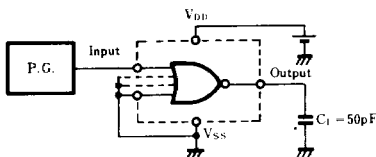
■ DC Characteristics ($V_{SS}=0V$)

Item	V_{DD} (V)	Symbol	Conditions	$T_a = -40^\circ C$		$T_a = 25^\circ C$		$T_a = 85^\circ C$		Unit
				min.	max.	min.	max.	min.	max.	
Quiescent Power Supply Current	5	I_{DD}	$V_i = V_{SS}$ or V_{DD}	—	1	—	1	—	7.5	μA
	10			—	2	—	2	—	15	
	15			—	4	—	4	—	30	
Output Voltage Low Level	5	V_{OL}	$V_i = V_{SS}$ or V_{DD} $ I_o < 1\mu A$	—	0.05	—	0.05	—	0.05	V
	10			—	0.05	—	0.05	—	0.05	
	15			—	0.05	—	0.05	—	0.05	
Output Voltage High Level	5	V_{OH}	$V_i = V_{SS}$ or V_{DD} $ I_o < 1\mu A$	4.95	—	4.95	—	4.95	—	V
	10			9.95	—	9.95	—	9.95	—	
	15			14.95	—	14.95	—	14.95	—	
Input Voltage Low Level	5	V_{IL}	$ I_o < 1\mu A$ $V_o = 0.5V$ or $4.5V$	—	1.5	—	1.5	—	1.5	V
	10			—	3	—	3	—	3	
	15			—	4	—	4	—	4	
Input Voltage High Level	5	V_{IH}	$ I_o < 1\mu A$ $V_o = 0.5V$ or $4.5V$	3.5	—	3.5	—	3.5	—	V
	10			7	—	7	—	7	—	
	15			11	—	11	—	11	—	
Output Current Low Level	5	I_{OL}	$V_o = 0.4V, V_i = 0V$ or $5V$ $V_o = 0.5V, V_i = 0V$ or $10V$ $V_o = 1.5V, V_i = 0V$ or $15V$	0.52	—	0.44	—	0.36	—	mA
	10			1.3	—	1.1	—	0.9	—	
	15			3.6	—	3	—	2.4	—	
Output Current High Level	5	$-I_{OH}$	$V_o = 4.6V, V_i = 0V$ or $5V$ $V_o = 9.5V, V_i = 0V$ or $10V$ $V_o = 13.5V, V_i = 0V$ or $15V$	0.52	—	0.44	—	0.36	—	mA
	10			1.3	—	1.1	—	0.9	—	
	15			3.6	—	3	—	2.4	—	
Output Current High Level	5	$-I_{OH}$	$V_o = 2.5V, V_i = 0V$ or $5V$	1.7	—	1.4	—	1.1	—	mA
Input Leakage Current	15	$\pm I_I$	$V_i = 0V$ or $15V$	—	0.3	—	0.3	—	1	μA

■ Switching Characteristics ($T_a = 25^\circ C, V_{SS} = 0V, C_L = 50pF$)

Item	V_{DD} (V)	Symbol	min.	typ.	max.	Unit
Output Rise Time	5	t_{TLH}	—	60	180	ns
	10		—	30	90	
	15		—	20	60	
Output Fall Time	5	t_{THL}	—	60	180	ns
	10		—	30	90	
	15		—	20	60	
Propagation Delay Time	5	t_{PLH}	—	50	150	ns
	10		—	25	75	
	15		—	20	60	
Propagation Delay Time	5	t_{PHL}	—	60	180	ns
	10		—	25	75	
	15		—	20	60	
Input Capacitance		C_I	—	—	7.5	pF

1. Switching Time Test Circuit



2. Waveforms

