

MN6626

Signal Processing LSI for CD Players

■ Overview

The MN6626 is a CD signal processing LSI that, on a single chip, provides both basic CD player signal processing (EFM demodulation, error correction, and CLV servo) and extra functionality for increasing the versatility and the performance of the CD player.

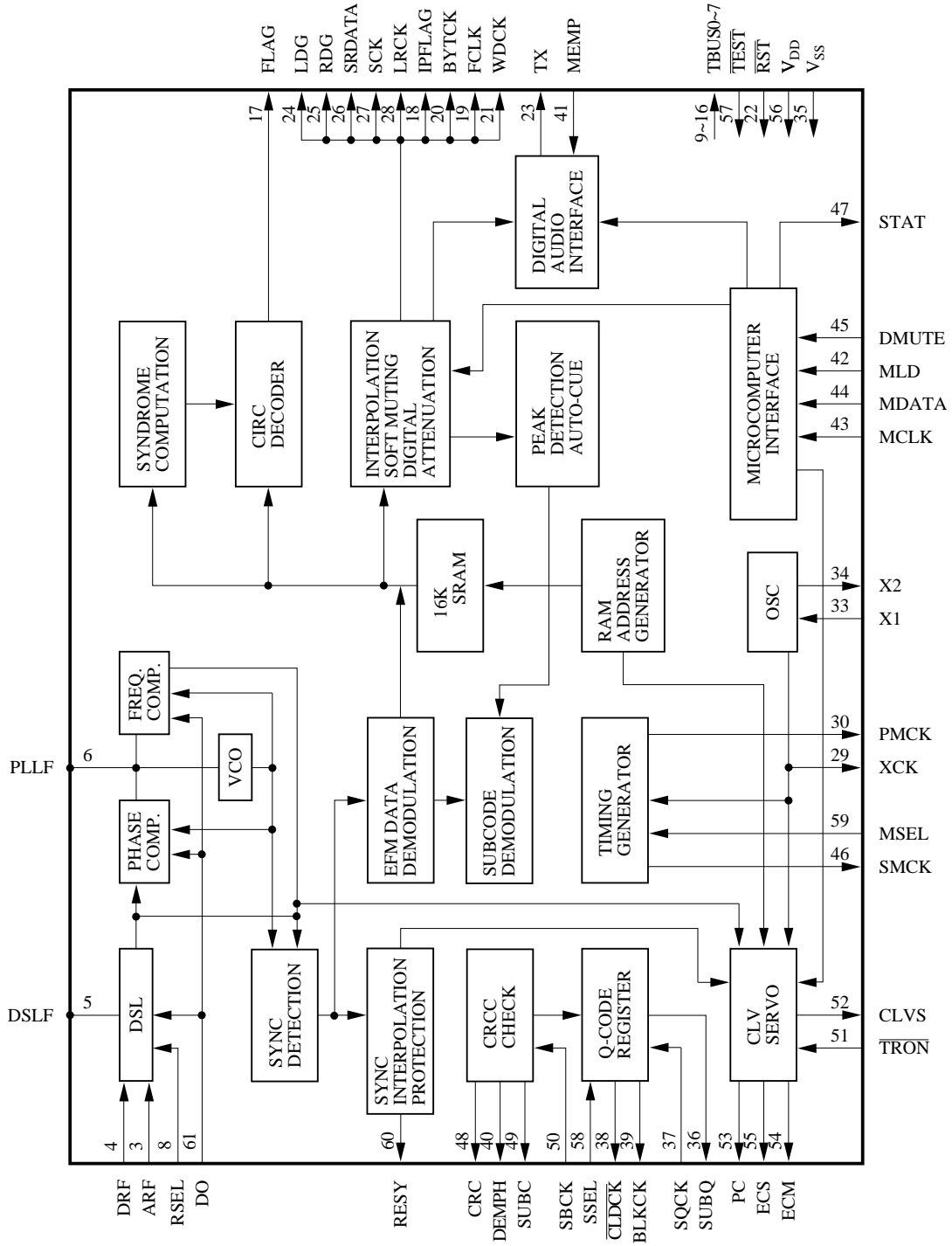
■ Features

- Data slice
- Phase-locked loop for reproducing the bit clock
- Frame synchronization detection, holding, and insertion
- EFM demodulation
- Subcode data processing
 - Subcode Q data CRC check
 - Built-in subcode Q data register
 - Serial interface for subcodes P through W data
- CIRC error detection and correction
 - C1 decoder: duplex error correction
 - C2 decoder: triplex error correction
 - Built-in 16-K bits of SRAM for de-interleaving
- Audio data interpolation
 - Average, hold of previous values
 - Soft muting
 - Digital attenuation (256 levels)
- CLV digital servo for spindle motor
- Digital audio interface (EIAJ format)
- Audio data peak level detection function
- Auto cue detection function
- Microcomputer serial interface
- Audio data serial interface
- Operating voltage 3.4 to 5.5V

■ Applications

- CD players

■ Block Diagram

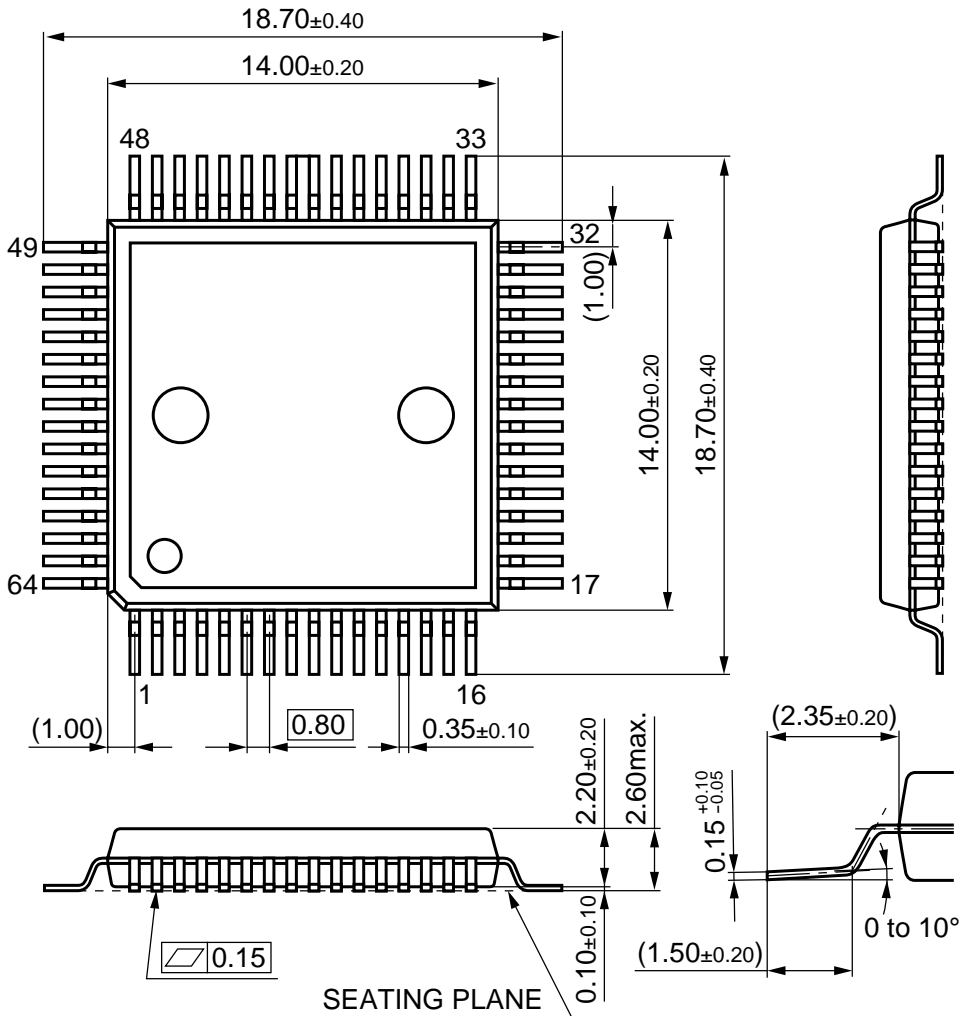


www.DataSheet4U.com

www.DataSheet4U.com

■ Package Dimensions (Unit: mm)

QFP064-P-1414



www.DataSheet4U.com

www.DataSheet4U.com