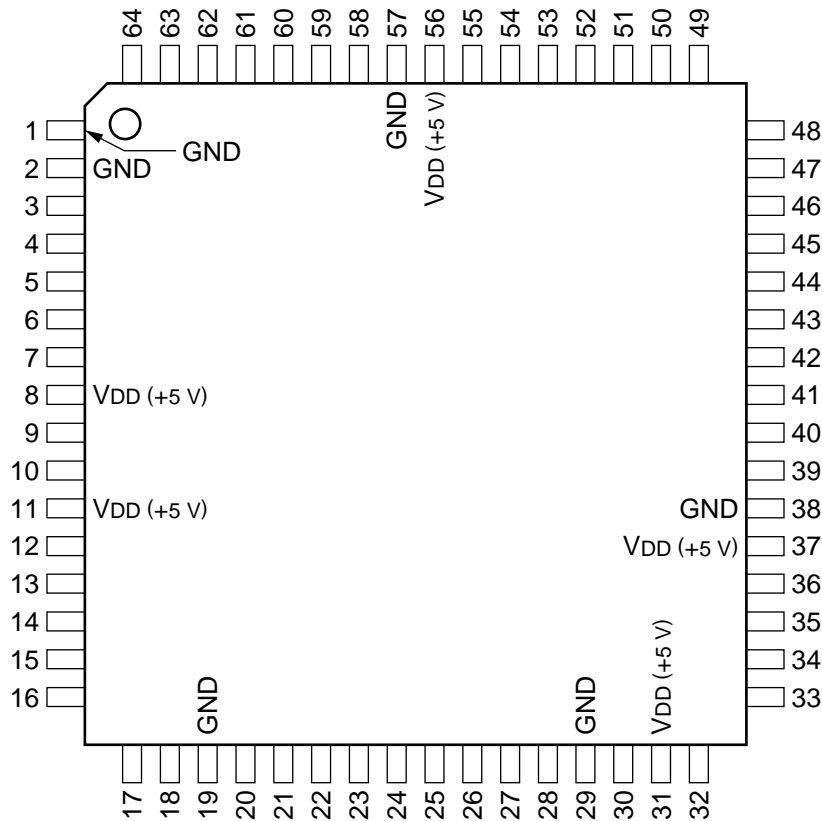


PICTURE IN PICTURE/PICTURE OUT PICTURE CONTROLLER

—TOP VIEW—



PIN NO.	I/O	SIGNAL	PIN NO.	I/O	SIGNAL	PIN NO.	I/O	SIGNAL	PIN NO.	I/O	SIGNAL
1	—	GND	17	O	RY	33	O	YS	49	O	RAS
2	—	GND	18	O	BY	34	I	HP	50	O	WE
3	—	VRB	19	—	GND	35	O	PPC	51	O	DT
4	I	TEST0	20	I	RST	36	I	PVC	52	O	SC
5	I	Y	21	I	SCL	37	—	VDD	53	I	LEV1
6	I	RY	22	O	SDA	38	—	GND	54	I	LEV0
7	I	BY	23	I	VPD	39	O	A0	55	I	DI3
8	—	VDD	24	I	VCD	40	O	A1	56	—	VDD
9	—	VRT	25	I	CKCNT	41	O	A2	57	—	GND
10	I	TEST1	26	I	CVC	42	O	A3	58	I	DI2
11	—	VDD	27	O	CPC	43	O	A4	59	I	DI1
12	I	IREF	28	I	HC	44	O	A5	60	I	DI0
13	I	VREF	29	—	GND	45	O	A6	61	O	DO3
14	O	Y	30	I	IREFVC	46	O	A7	62	O	DO2
15	I	COMP	31	—	VDD	47	O	A8	63	O	DO1
16	I	VIB	32	O	CLAMP	48	O	CAS	64	O	DO0

