

Full Duplex AV Controller MN864602

Overview

MN864602, 1394 Audio/Video(AV) Link and Physical layer controller, is an IEEE1394a compliant controller featuring embedded AV layer and DTCP functions. It allows you to implement full duplex isochronous transfers in digital AV products such as DTV, STB, D-VHS and so on.

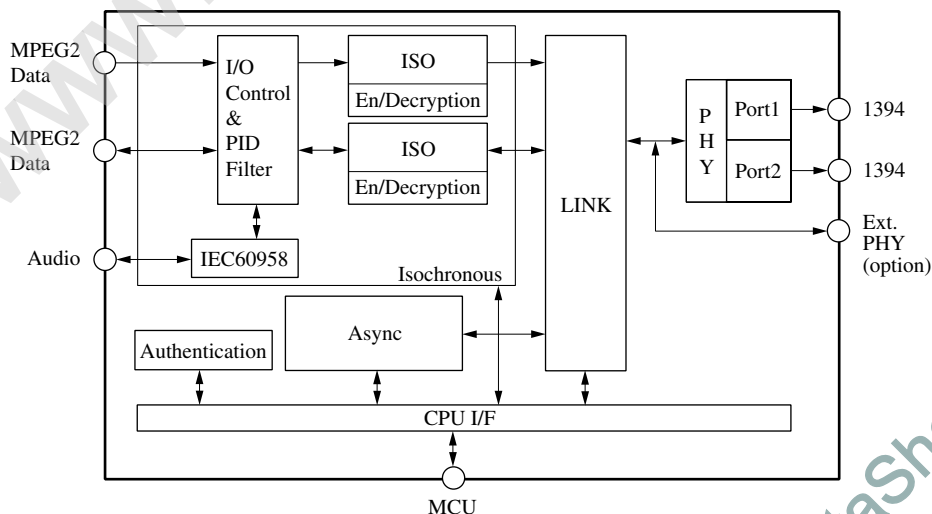
Features

- Compliant to IEEE1394-1995 and 1394a
- Operates on S400/S200/S100
- Integrated 2port PHY (with interface to optional external PHY)
- Compliant to IEC61883 1-6 (MPEG-TS/DV/Audio & Music data transfer)
- Hardware support of DTCP (Encryption/decryption and elliptic curve cryptograph for full authentication)
- Full duplex isochronous operation
- PID filter and Packet insertion/modification functions
- Asynchronous transmit/receive FIFO (1 KB)
- Isochronous buffer (1.4 KB × 2), Smoothing buffer (4 KB × 2)
- 3.3 V/2.5 V power supply voltage
- 0.25 μm CMOS process
- 164pin LQFP package

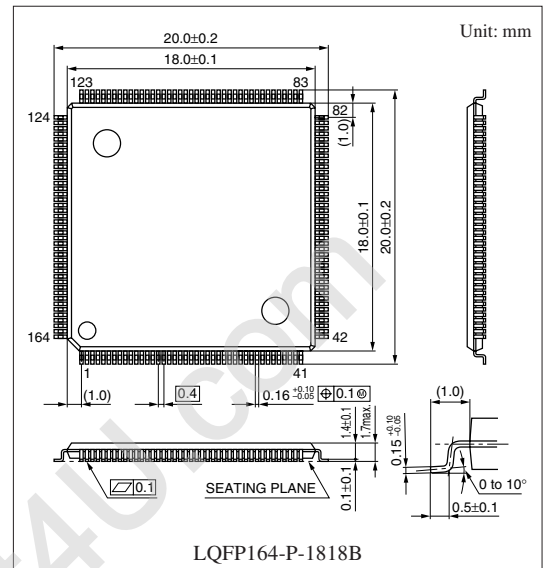
Applications

- Digital Television, Set top box (STB), DVHS

Block diagram



¶ The products and specifications are subject to change without any notice. Please ask for the latest product standards to guarantee the satisfaction of your product requirements.



Semiconductor Company, Matsushita Electric Industrial Co., Ltd.