



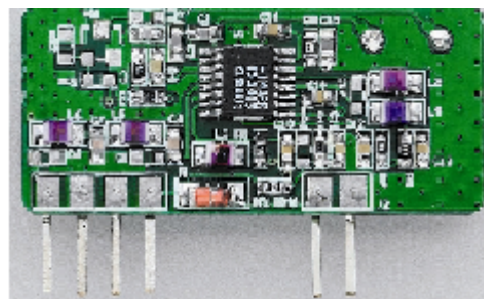
### FSK TRANSMITTER MODULE

315/434/868/914MHz FSK TRANSMITTER

#### Description

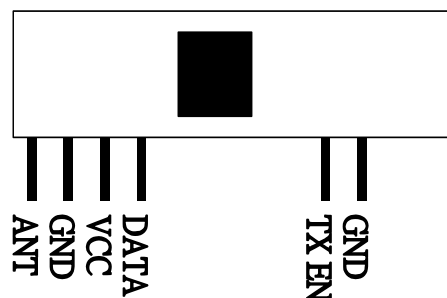
MO-TX4915-F are FSK transmitter modules. The MO-TX4915-F is an entire Phase-Locked Loop (PLL) for precise local oscillator generation. It can use in OOK / HCS / PWM signal and modulate to transmit signal to receiver device by air .It had a high performance and easily to design your product. It can be used on wireless security system or specific remote-control function and others wireless system.

Now we supports 315MHz/433.92MHz/868.35MHz/914.5MHz for ISM Band modules can be selected



#### Features

- Low power consumption.
- Easy for application.
- On-Chip VCO with integrated PLL using crystal oscillator reference.
- Operation temperature range : - 20°C ~ +85°C
- Operation voltage :2.4~ 3.6 Volts.
- Available frequency at : 315/434/868/914MHz



#### Applications

- Car security system
- Remote keyless entry
- Garage door controller
- Home security
- Wireless mouse
- Automation system

#### Product Identification

315MHz	MO-TX4915-F315M
433.92MHz	MO-TX4915-F434M
868.35MHz	MO-TX4915-F868M
914.5MHz	MO-TX4915-F914M

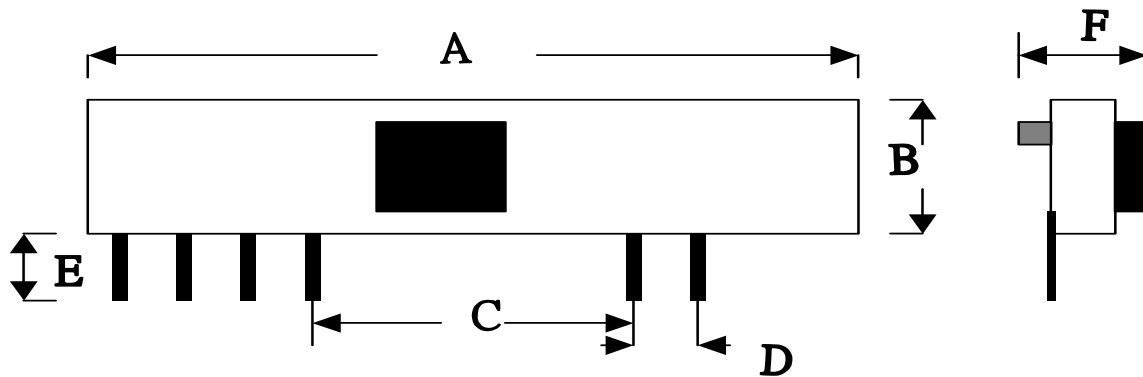
**Absolute Maximum Ratings**

Parameter	Rating	Units
Supply Voltage	3.6	V DC
Operating Temperature	-20 to +85	°C

**Electronical Characteristics**

Parameter	Symbol	Condition	Specification			Unit	
			Min.	Typical	Max.		
Operation Voltage			2.2	3.0	3.6	V	
Output power	Psens	Vcc=3.0V, 1Kbps Data Rate	315MHz	1	5		dBm
			434MHz	0	3		dBm
			868MHz	-2	1		dBm
			914MHz	-2	1		dBm
Supply current	Icc	Operation ( data rate 1kbps)		20	25	mA	
		Stand-by		5		uA	
Transmitter enable/disable voltage		TX EN=High=Operation	Vcc-0.3			V DC	
		TX EN=Lo=Power down			0.3	V DC	
Tune on Time	Ton	Tx enable Off- turn on		3		ms	
Data Rate			300	-	10k	bps	

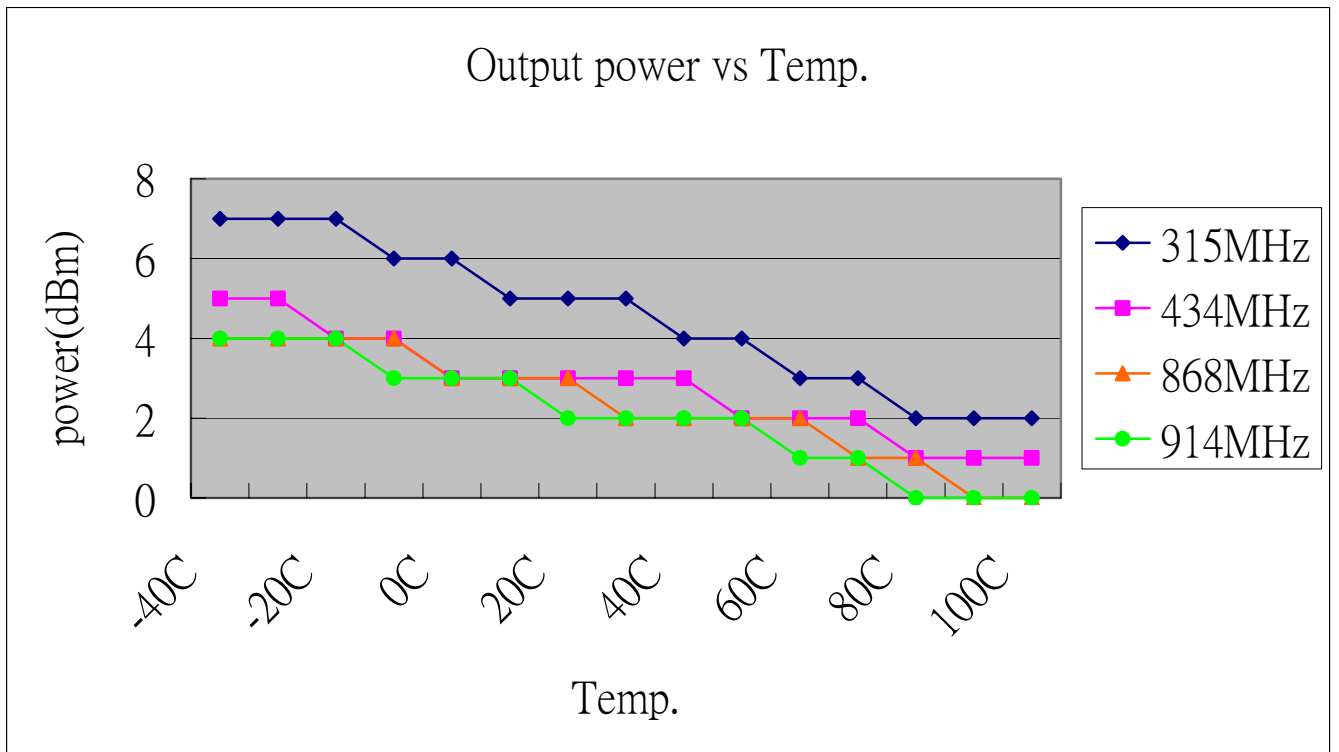
**Pin Dimension**



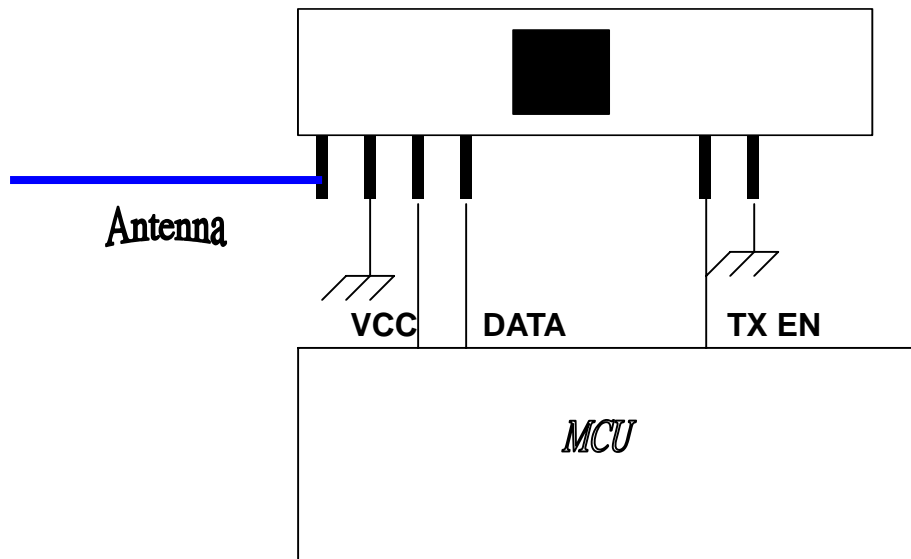
Name	Dimension	Name	Dimension
<b>A</b>	35 mm + -0.5 mm	<b>D</b>	2.54 mm + -0.2 mm
<b>B</b>	15 mm + -0.5 mm	<b>E</b>	5 mm + -0.5 mm
<b>C</b>	12.7 mm + -0.3 mm	<b>F</b>	6.2 mm (Max)

Typical Characteristics

Output power vs Temperature



## Application



### Mark:

1. Antenna length about :23cm for 315MHz  
17cm for 434MHz  
8.5cm for 868MHz  
7.5cm for 914MHz
2. Transmitter range about 100m with MO-RX3930-FS receiver module  
(Tested in open space)