

SEVEN SEGMENT NUMERIC DISPLAY

High Performance Gap, GaAsP Dice
1.02 inch Character Height
High Contrast
Wide Viewing Angle
Common Anode - MO1101A
Common Cathode - MO1101C

www.DataSheet4U.com

ABSOLUTE MAXIMUM RATINGS AT Ta=25°C

Parameter	Segment A,B,C,D,E,F,G	Segment DP	UNIT
Power Dissipation Per Seg.	150	75	m W
Peak Forward Current Per Seg.	100	100	m A
Continuous Forwardcurrent Per Seg.	25	25	mA
Revers Voltage Per Seg.	10	5	V
Operation Temperature Range			-25 TO +85 °C
Storage Temperature Range			-25 TO +85 °C
Lead Soldering Temperature (1/16" from body, 5 sec.)			260 °C

Note: Pulse Width=1mS, Duty Ratio=1/10

ELECTRO-OPTICAL CHARACTERISTICS (Ta=25°C)

PARAMETER	SYMBOL	Segment A,B,C,D,E,F,G	Segment DP	UNIT	CONDITIONS
Forward Voltage each Seg.	Vf MAX	6.0	3.0	V	If=20mA
Liminous Intensity	Iv MIN	2200	2200	ucd	If= 10mA
	TYP	3300	3300	ucd	If= 10mA
Segment to Segment Liminous Intensity Matching Ratio	Iv-m MAX		2 : 1		If= 20mA
Reverse Current Any Seg.	Ir MAX	100	100	uA	Vr=5V
Peak Emission Wavelength	λp TYP	630	630	nm	If=20mA
Spectral Line Half-Width	Δλ TYP	35	35	nm	If=20mA



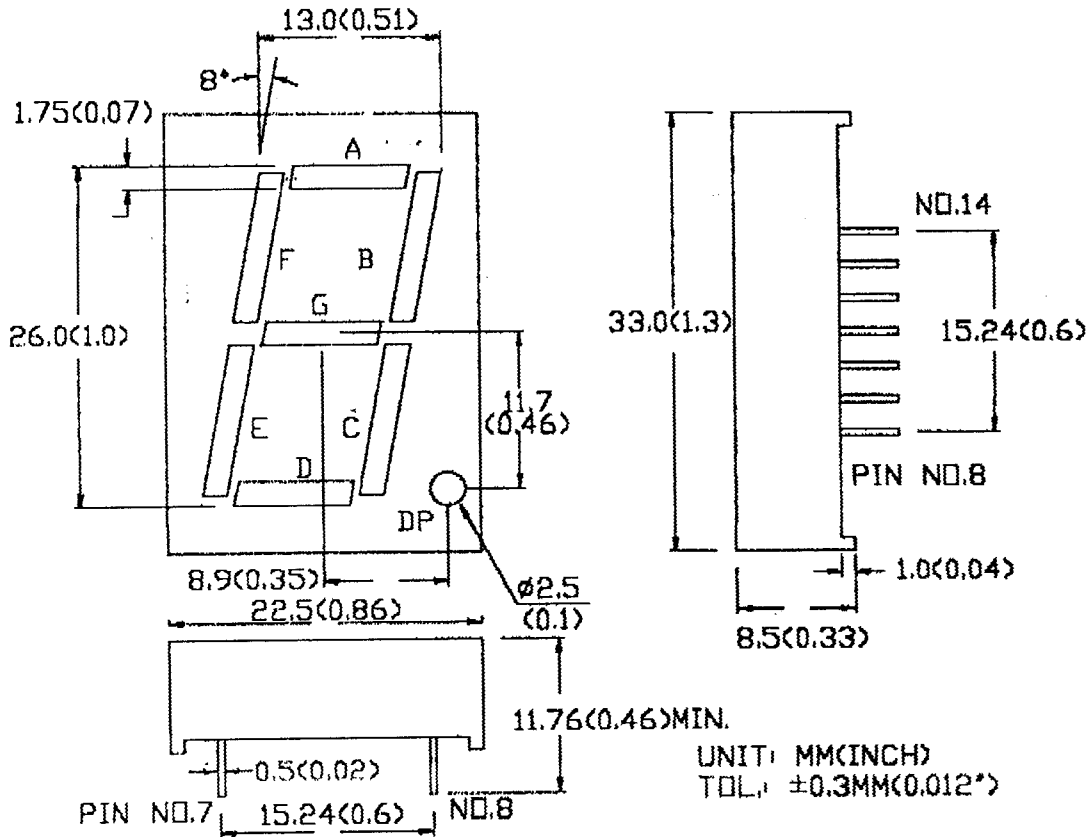
MICRO ELECTRONICS LTD.

38, Hung To Road, Microtron Building, Kwun Tong, Kowloon, Hong Kong.
Kwun Tong P.O. Box 69477 Hong Kong. Fax No. 2341 0321 Tel:43510 Micro Hx. Tel: 2343 0181-5

Apr-00

MD1101A/C

MECHANICAL OUTLINE:



CIRCUIT DIAGRAM:

