

SEVEN SEGMENT NUMERIC DISPLAY

High Performance GaP, GaAsP Dice
 0.39 inch Character Height
 High Contrast
 Wide Viewing Angle
 Common Anode - MS139A, MG139A, MO139A
 Common Cathode - MS139C, MG139C, MO139C

ABSOLUTE MAXIMUM RATINGS

	MS139	MG139	MO139	UNIT
Power Dissipation / Segment	40	75	75	mW
Peak Forward Current / Segment*	60	100	100	mA
Continuous Forward Current / Segment	15	25	25	mA
Reverse Voltage / Segment	5	5	5	V
Operating Temperature Range	-25 to +85			°C
Storage Temperature Range	-25 to +85			°C

* Note : Pulse Width = 1mS, Duty Ratio = 1/10.

ELECTRO-OPTICAL CHARACTERISTICS (Ta=25°C)

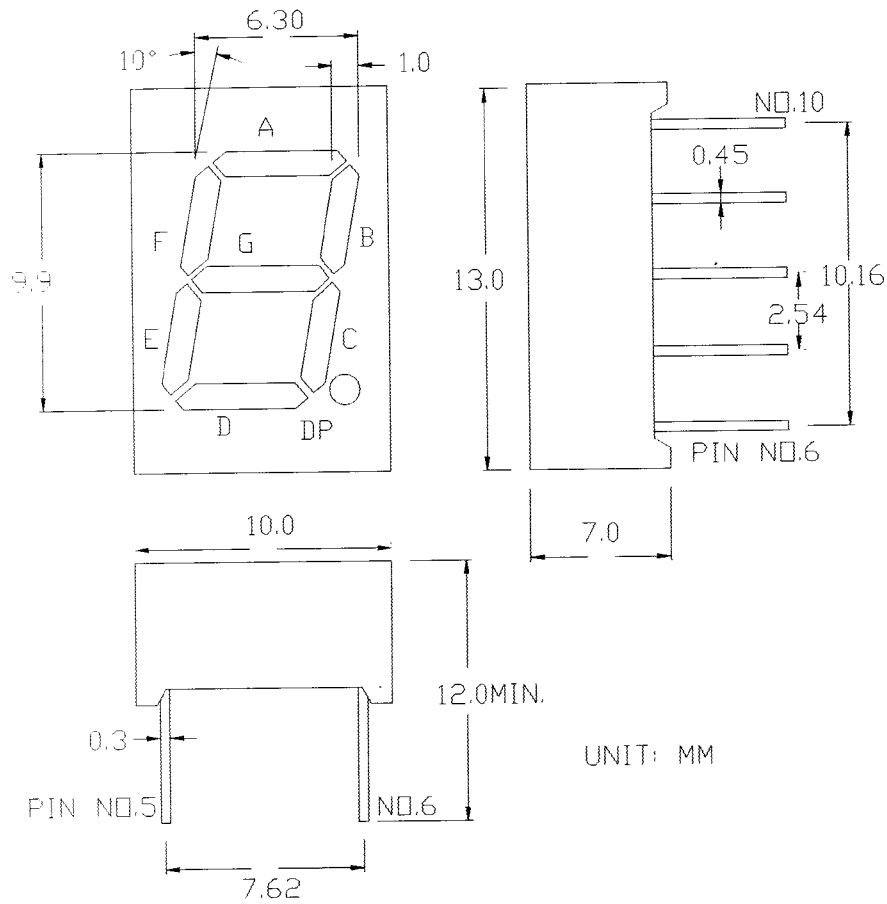
PARAMETER	SYMBOL	MS139	MG139	MO139	UNIT	CONDITIONS
Forward Voltage	MAX VF	3.0	3.0	3.0	V	IF=20mA
Luminous Intensity	MIN IV	350	1300	1050	μcd	IF=10mA
	TYP	500	2350	1600		
Segment to Segment	MAX	2:1	2:1	2:1		IF=20mA
Luminous Intensity Ratio						
Peak Wavelength	TYP λp	700	565	630	nm	IF=20mA
Spectral Line Half Width	TYP Δλ	100	30	40	nm	IF=20mA



MICRO ELECTRONICS LTD.

38, Hung To Road, Microtron Building, Kwun Tong, Kowloon, Hong Kong.
 Kwun Tong P.O. Box 69477 Hong Kong. Fax No. 2341 0321 Telex:43510 Micro Hx. Tel: 2343 0181-5

MECHANICAL OUTLINE:



CIRCUIT DIAGRAM:

