

MICRO ELECTRONICS

MO456C-RD

0.56" FOUR DIGIT
NUMERIC DISPLAYS

SEVEN SEGMENT NUMERIC DISPLAY

High Performance GaAsP/GaP Orange LED Chip
0.56 inch Character Height
High Contrast
Wide Viewing Angle
Common Anode - MO456A-RD
Common Cathode - MO456C-RD

ABSOLUTE MAXIMUM RATINGS

Power Dissipation / Segment	Pd	75mW
Peak Forward Current / Segment	IF/Pulse*	100mA
Continuous Forward Current / Segment	IF/DC	25mA
Reverse Voltage / Segment	VR	5V
Operating Temperature Range	Tstg	-25 to +85°C
Storage Temperature Range	Topr	-25 to +85°C

* Note : Pulse Width = 1mS, Duty Ratio = 1/10.

ELECTRO-OPTICAL CHARACTERISTICS(Ta=25°C)

PARAMETER	SYMBOL	MIN	TPY	MAX	UNIT	CONDITIONS
Forward Voltage	VF		2.0	3.0	V	IF=20mA
Luminous Intensity	IV	300	600		μcd	IF=10mA
Segment to Segment Luminous Intensity Ratio				2:1		IF=10mA
Peak Wavelength	λp		640		nm	IF=20mA
Spectral Line Half Width	Δλ		35		nm	IF=20mA



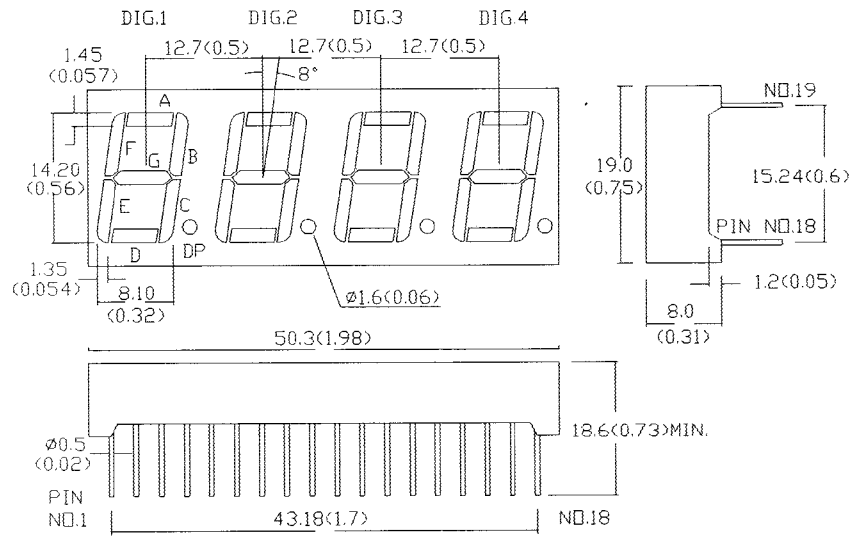
MICRO ELECTRONICS LTD.

38, Hung To Road, Microtron Building, Kwun Tong, Kowloon, Hong Kong.

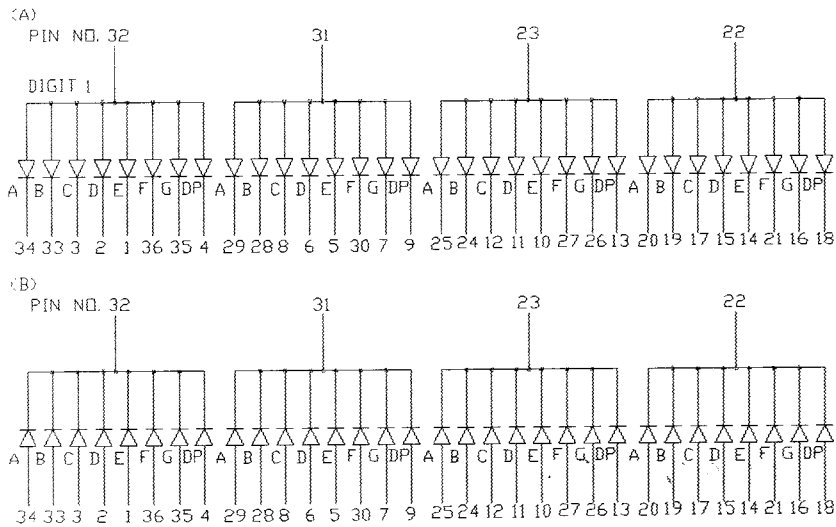
Kwun Tong P.O. Box 69477 Hong Kong. Fax No. 2341 0321 Telex:43510 Micro Hx. Tel: 2343 0181-5

Jan-98

MECHANICAL OUTLINE:



CIRCUIT DIAGRAM:



UNIT: MM(INCH)