

SEVEN SEGMENT NUMERIC DISPLAY

High Efficiency Red GaAsP
 0.6 inch Character Height
 Wide Viewing Angle
 Color Filter Provides High Contrast
 Common Cathode

ABSOLUTE MAXIMUM RATINGS (Ta=25°C)

Power Dissipation / Segment	60mW
Peak Forward Current / Segment *	200mA
Continuous Forward Current / Segment	20mA
Reverse Voltage / Segment	5V
Operating Temperature Range	-25 to +75°C
Storage Temperature Range	-25 to +80°C

* Note : Pulse Width = 1mS, Duty Ratio = 1/10.

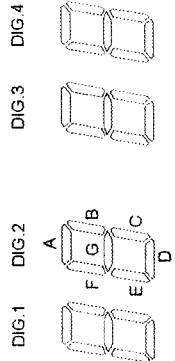
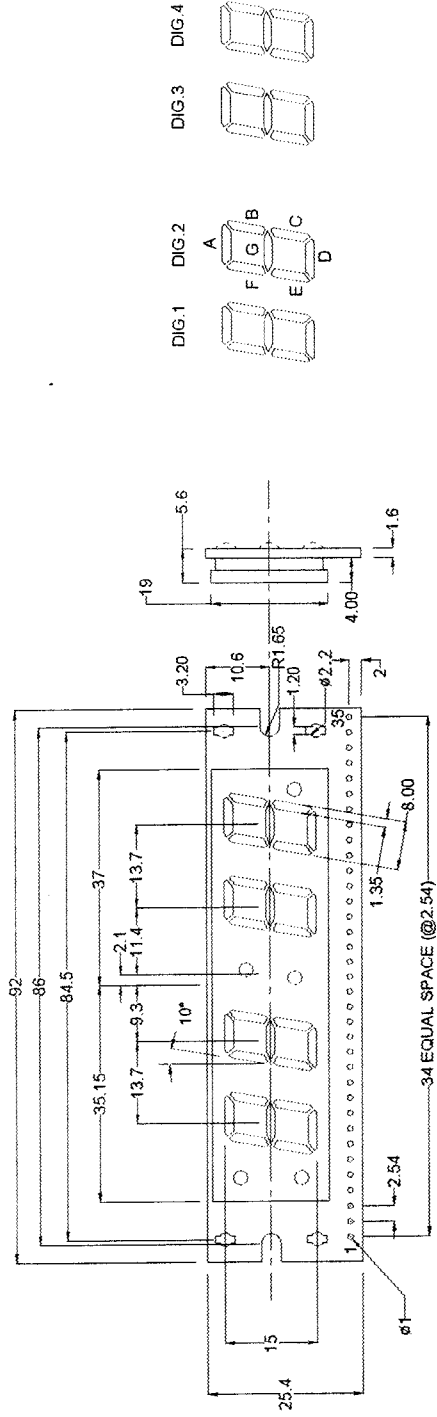
ELECTRO-OPTICAL CHARACTERISTICS / segment (Ta=25°C)

PARAMETER	SYMBOL	MIN	TYP	MAX	UNIT	CONDITIONS
Forward Voltage	V _F		2.0	3.0	V	I _F =20mA
Luminous Intensity	I _V	600	900		μcd	I _F =10mA
Segment to Segment Luminous Intensity Ratio			2 : 1			I _F =20mA
Reverse Current	I _R			100	μA	V _R =5V
Peak Wavelength	λ _p		630		nm	I _F =20mA
Spectral Line Half Width	Δλ		35		nm	I _F =20mA



MO461C

MECHANICAL OUTLINE :



ALL DIMENSION IN mm
NO SCALE
TOL. : +/-0.3mm

