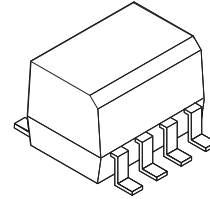


# 8-pin SOIC Darlington Output Optocouplers

## MOC223M, MOCD223M



SOIC8  
CASE 751DZ

### Description

The MOC223M consists of a gallium arsenide infrared emitting diode optically coupled to a monolithic silicon photodarlington detector, in a surface mountable, small outline, plastic package. The MOCD223M is a dual-channel version of the MOC223M. They are ideally suited for high density applications, and eliminates the need for through the board mounting.

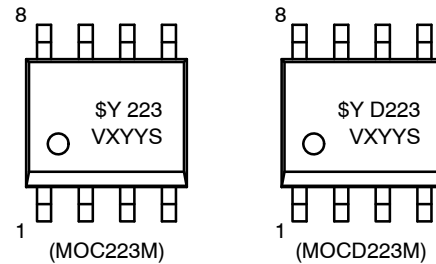
### Features

- High Current Transfer Ratio of 500% Minimum at  $I_F = 1 \text{ mA}$
- Minimum  $BV_{CEO}$  of 30 V Guaranteed
- Convenient Plastic SOIC-8 Surface Mountable Package Style, with 0.050" Lead Spacing
- Safety and Regulatory Approvals:
  - ◆ UL2688, 2,500  $V_{AC_{RMS}}$  for 1 Minute
  - ◆ DIN-EN/IEC60747-5-5, 565 V Peak Working Insulation Voltage
- These Devices are Pb-Free and Halogen Free

### Applications

- Low Power Logic Circuits
- Interfacing and Coupling Systems of Different Potentials and Impedances
- Telecommunications Equipment
- Portable Electronics
- Solid State Relays

### MARKING DIAGRAMS



- |          |                              |
|----------|------------------------------|
| \$Y      | = onsemi Logo                |
| 223/D223 | = Specific Device Code       |
| V        | = DIN EN/IEC60747-5-5 Option |
| X        | = One-Digit Year Code        |
| YY       | = Digit Work Week            |
| S        | = Assembly Package Code      |

### ORDERING INFORMATION

See detailed ordering and shipping information on page 7 of this data sheet.

# MOC223M, MOCD223M

## SCHEMATICS

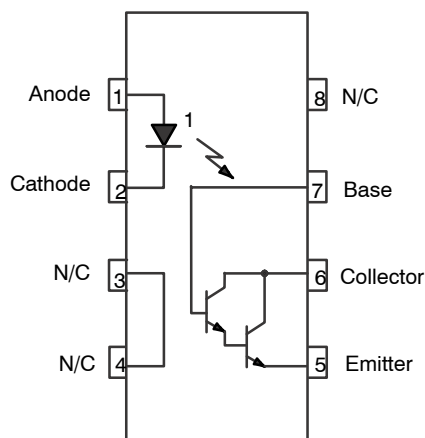


Figure 1. Schematic – MOC223M

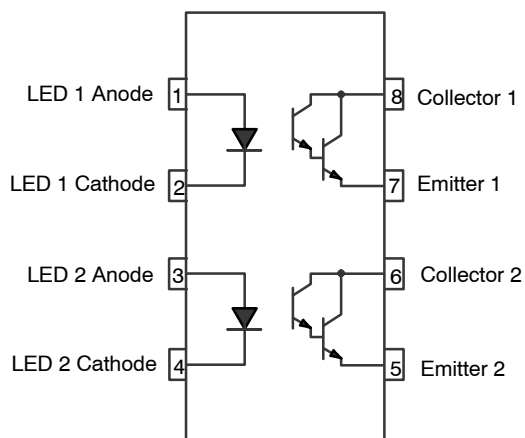


Figure 2. Schematic – MOCD223M

### SAFETY AND INSULATION RATINGS

Parameter		Characteristics
Installation Classifications per DIN VDE 0110/1.89 Table 1, For Rated Mains Voltage	< 150 V <sub>RMS</sub>	I–IV
	< 300 V <sub>RMS</sub>	I–III
Climatic Classification		55/100/21
Pollution Degree (DIN VDE 0110/1.89)		2
Comparative Tracking Index		175

Symbol	Parameter	Value	Unit
V <sub>PR</sub>	Input-to-Output Test Voltage, Method A, V <sub>IORM</sub> × 1.6 = V <sub>PR</sub> , Type and Sample Test with t <sub>m</sub> = 10 s, Partial Discharge < 5 pC	904	V <sub>peak</sub>
	Input-to-Output Test Voltage, Method B, V <sub>IORM</sub> × 1.875 = V <sub>PR</sub> , 100% Production Test with t <sub>m</sub> = 1 s, Partial Discharge < 5 pC	1060	
V <sub>IORM</sub>	Maximum Working Insulation Voltage	565	
V <sub>IOTM</sub>	Highest Allowable Over-Voltage	4000	
	External Creepage	≥ 4	mm
	External Clearance	≥ 4	
DTI	Distance Through Insulation (Insulation Thickness)	≥ 0.4	
T <sub>S</sub>	Case Temperature (Note 1)	150	°C
I <sub>S,INPUT</sub>	Input Current (Note 1)	200	mA
P <sub>S,OUTPUT</sub>	Output Power (Note 1)	300	mW
R <sub>IO</sub>	Insulation Resistance at T <sub>S</sub> , V <sub>IO</sub> = 500 V (Note 1)	> 10 <sup>9</sup>	Ω

As per DIN EN/IEC 60747-5-5, this optocoupler is suitable for “safe electrical insulation” only within the safety limit data. Compliance with the safety ratings shall be ensured by means of protective circuits.

1. Safety limit values – maximum values allowed in the event of a failure.

# MOC223M, MOCD223M

**ABSOLUTE MAXIMUM RATINGS**  $T_A = 25^\circ\text{C}$  unless otherwise specified.

Symbol	Parameter	Value	Unit
<b>TOTAL DEVICE</b>			
$T_{STG}$	Storage Temperature	-40 to +125	°C
$T_A$	Ambient Operating Temperature	-40 to +100	
$T_J$	Junction Temperature	-40 to +125	
$T_{SOL}$	Lead Solder Temperature	260 for 10 s	
$P_D$	Total Device Power Dissipation @ $T_A = 25^\circ\text{C}$	240	mW
	Derate Above $25^\circ\text{C}$	2.94	mW/°C

## EMITTER

$I_F$	Continuous Forward Current	60	mA
$I_F$ (pk)	Forward Current – Peak (PW = 100 $\mu\text{s}$ , 120 pps)	1.0	A
$V_R$	Reverse Voltage	6.0	V
$P_D$	LED Power Dissipation @ $T_A = 25^\circ\text{C}$	90	mW
	Derate Above $25^\circ\text{C}$	0.8	mW/°C

## DETECTOR

$I_C$	Continuous Collector Current	150	mA
$V_{CEO}$	Collector–Emitter Voltage	30	V
$V_{CBO}$	Collector–Base Voltage, MOC223M	70	
$V_{ECO}$	Emitter–Collector Voltage	7	
$P_D$	Detector Power Dissipation @ $T_A = 25^\circ\text{C}$	150	mW
	Derate Above $25^\circ\text{C}$	1.76	mW/°C

Stresses exceeding those listed in the Maximum Ratings table may damage the device. If any of these limits are exceeded, device functionality should not be assumed, damage may occur and reliability may be affected.

**ELECTRICAL CHARACTERISTICS**  $T_A = 25^\circ\text{C}$  unless otherwise specified.

Symbol	Parameter	Test Conditions	Min	Typ	Max	Unit
<b>EMITTER</b>						
$V_F$	Input Forward Voltage	$I_F = 1.0\text{ mA}$	–	1.08	1.3	V
$I_R$	Reverse Leakage Current	$V_R = 6.0\text{ V}$	–	0.001	100	$\mu\text{A}$
$C_{IN}$	Input Capacitance		–	18	–	pF

## DETECTOR

$I_{CEO1}$	Collector–Emitter Dark Current	$V_{CE} = 5.0\text{ V}, T_A = 25^\circ\text{C}$	–	1.0	50	nA
$I_{CEO2}$		$V_{CE} = 5.0\text{ V}, T_A = 100^\circ\text{C}$	–	1.0	–	$\mu\text{A}$
$BV_{CEO}$	Collector–Emitter Breakdown Voltage	$I_C = 100\text{ }\mu\text{A}$	30	100	–	V
$BV_{CBO}$	Collector–Base Breakdown Voltage	$I_C = 100\text{ }\mu\text{A}$	70	120	–	
$BV_{ECO}$	Emitter–Collector Breakdown Voltage	$I_E = 100\text{ }\mu\text{A}$	7	10	–	
$C_{CE}$	Collector–Emitter Capacitance	$f = 1.0\text{ MHz}, V_{CE} = 0$	–	5.5	–	pF

## COUPLED

CTR	Current Transfer Ratio	$I_F = 1.0\text{ mA}, V_{CE} = 5.0\text{ V}$	500	1000	–	%
$V_{CE(sat)}$	Collector–Emitter Saturation Voltage	$I_C = 500\text{ }\mu\text{A}, I_F = 1.0\text{ mA}$	–	–	1.0	V
$t_{on}$	Turn–On Time	$I_F = 5.0\text{ mA}, V_{CC} = 10\text{ V}, R_L = 100\text{ }\Omega$ (Figure 8)	–	10	–	$\mu\text{s}$
$t_{off}$	Turn–Off Time		–	55	–	
$t_r$	Rise Time		–	8	–	
$t_f$	Fall Time		–	45	–	

# MOC223M, MOCD223M

**ELECTRICAL CHARACTERISTICS**  $T_A = 25^\circ\text{C}$  unless otherwise specified. (continued)

Symbol	Parameter	Test Conditions	Min	Typ	Max	Unit
<b>ISOLATION CHARACTERISTICS</b>						
$V_{ISO}$	Input-Output Isolation Voltage	$t = 1 \text{ min}$	2500	-	-	$V_{AC_{RMS}}$
$C_{ISO}$	Isolation Capacitance	$V_{I-O} = 0, f = 1 \text{ MHz}$	-	0.2	-	pF
$R_{ISO}$	Isolation Resistance	$V_{I-O} = \pm 500 V_{DC}, T_A = 25^\circ\text{C}$	$10^{11}$	-	-	$\Omega$

Product parametric performance is indicated in the Electrical Characteristics for the listed test conditions, unless otherwise noted. Product performance may not be indicated by the Electrical Characteristics if operated under different conditions.

## TYPICAL PERFORMANCE CURVES

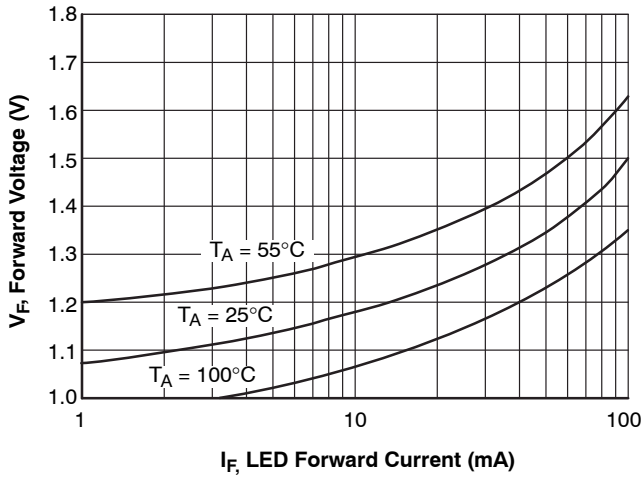


Figure 3. LED Forward Voltage vs. Forward Current

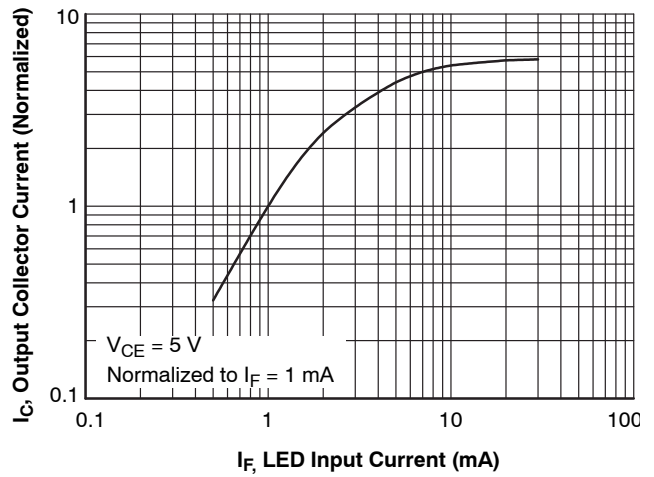


Figure 4. Output Current vs. Input Current

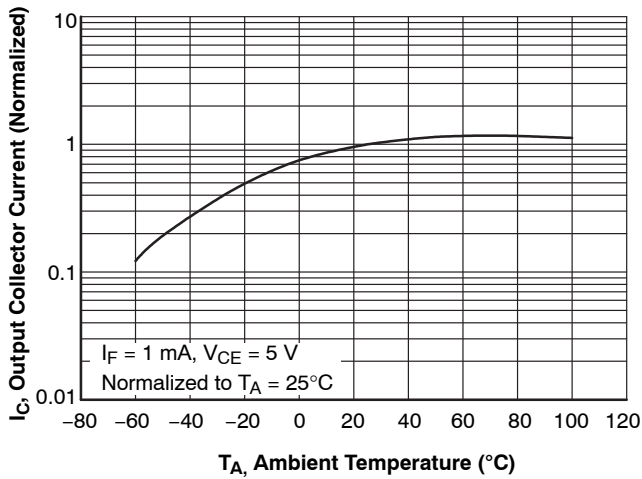


Figure 5. LED Forward Voltage vs. Forward Current

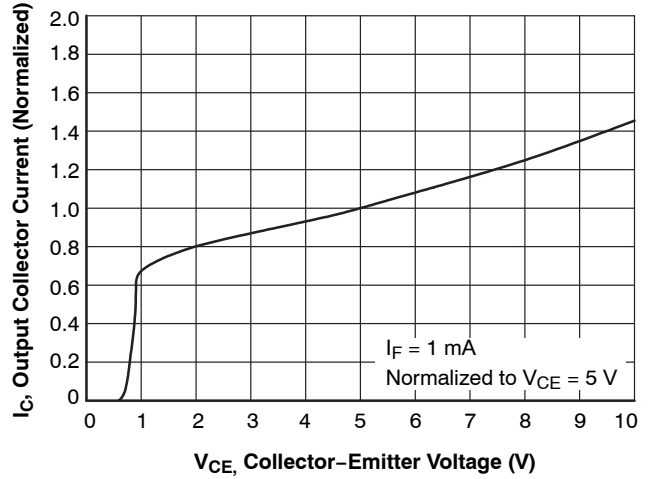


Figure 6. Output Current vs. Collector-Emitter Voltage

# MOC223M, MOCD223M

## TYPICAL PERFORMANCE CURVES

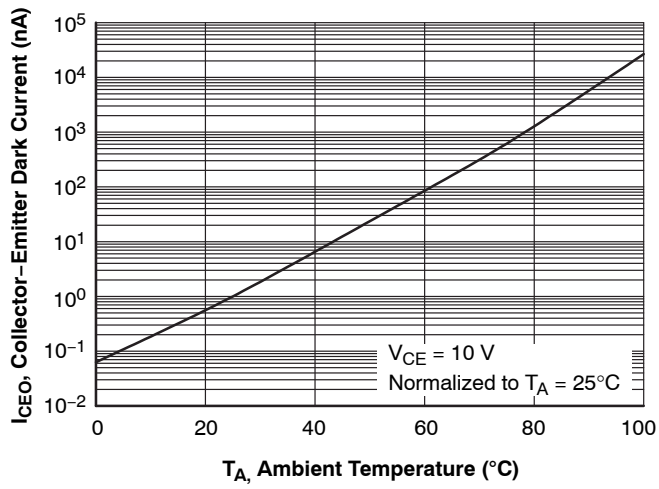


Figure 7. Dark Current vs. Ambient Temperature

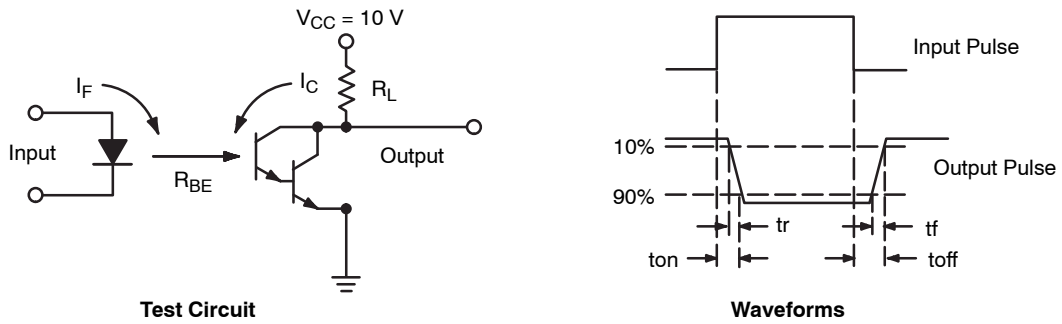


Figure 8. Switching Time Test Circuit and Waveforms

# MOC223M, MOCD223M

## REFLOW PROFILE

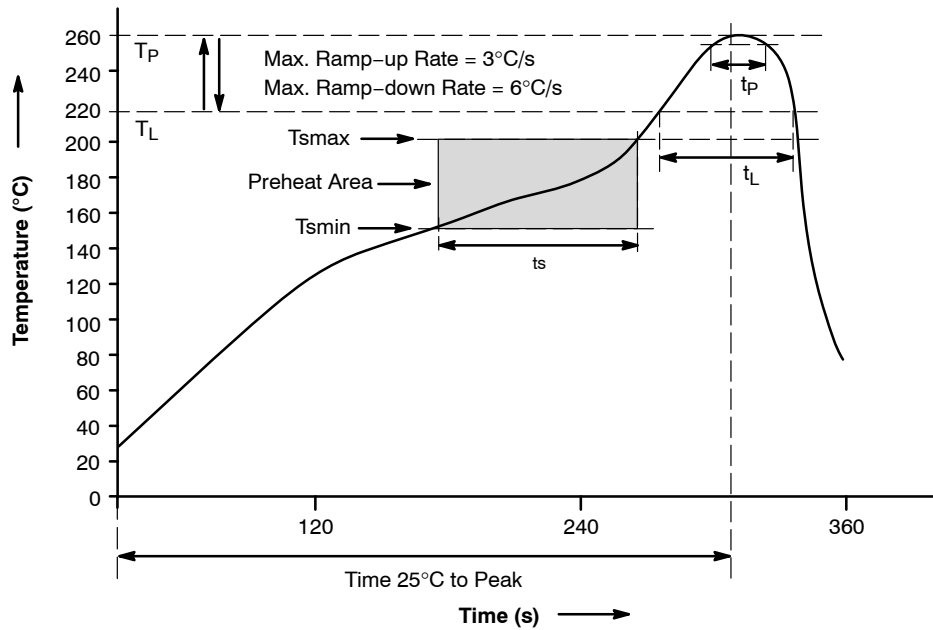


Figure 9. Reflow Profile

### REFLOW PROFILE

Profile Feature	Pb-Free Assembly Profile
Temperature Min. (Tsmín)	150°C
Temperature Max. (Tsmáx)	200°C
Time (ts) from (Tsmín to Tsmáx)	60-120 s
Ramp-up Rate (tl to tp)	3°C/s max.
Liquidous Temperature (Tl)	217°C
Time (tl) Maintained Above (Tl)	60-150 s
Peak Body Package Temperature	260°C +0°C / -5°C
Time (tp) within 5°C of 260°C	30 s
Ramp-down Rate (TP to Tl)	6°C/s max.
Time 25°C to Peak Temperature	8 min max.

## MOC223M, MOCD223M

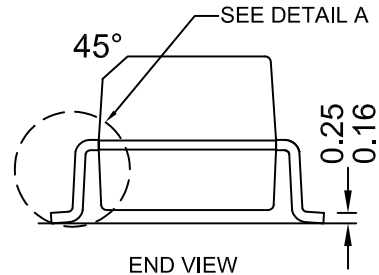
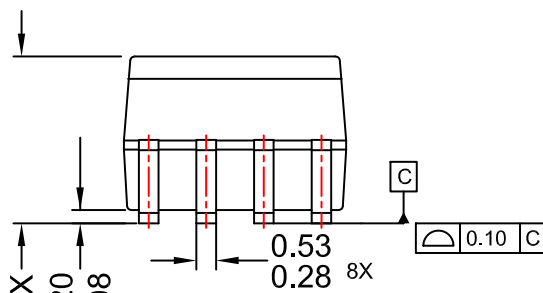
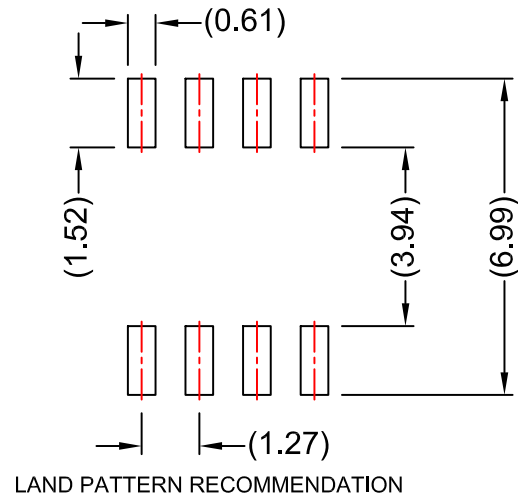
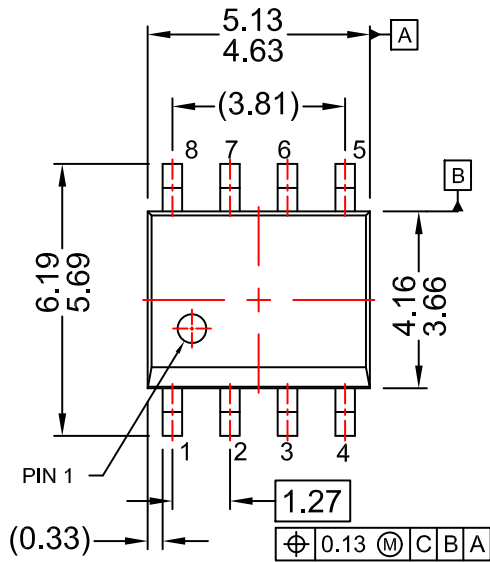
### ORDERING INFORMATION

Part Number	Package	Shipping†
MOC223M	Small Outline 8-Pin	50 Units / Tube
MOC223R2M	Small Outline 8-Pin	2500 Units / Tape and Reel
MOC223VM	Small Outline 8-Pin, DIN EN/IEC60747-5-5 Option	50 Units / Tube
MOC223R2VM	Small Outline 8-Pin, DIN EN/IEC60747-5-5 Option	2500 Units / Tape and Reel
MOCD223M	Small Outline 8-Pin	50 Units / Tube
MOCD223R2M	Small Outline 8-Pin	2500 Units / Tape and Reel
MOCD223VM	Small Outline 8-Pin, DIN EN/IEC60747-5-5 Option	50 Units / Tube
MOCD223R2VM	Small Outline 8-Pin, DIN EN/IEC60747-5-5 Option	2500 Units / Tape and Reel

†For information on tape and reel specifications, including part orientation and tape sizes, please refer to our Tape and Reel Packaging Specifications Brochure, BRD8011/D.

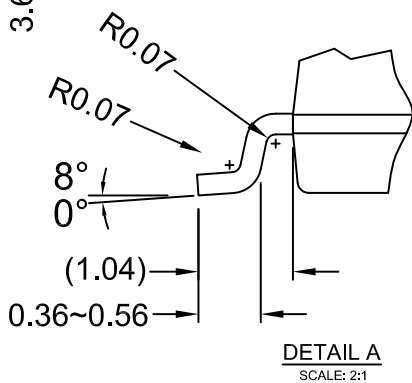
SOIC8  
CASE 751DZ  
ISSUE O

DATE 30 SEP 2016



NOTES:

- A) NO STANDARD APPLIES TO THIS PACKAGE
- B) ALL DIMENSIONS ARE IN MILLIMETERS.
- C) DIMENSIONS DO NOT INCLUDE MOLD FLASH OR BURRS.
- D) LANDPATTERN STANDARD: SOIC127P600X175-8M.



DOCUMENT NUMBER:	98AON13733G	Electronic versions are uncontrolled except when accessed directly from the Document Repository. Printed versions are uncontrolled except when stamped "CONTROLLED COPY" in red.
DESCRIPTION:	SOIC8	PAGE 1 OF 1

onsemi and ONSEMI are trademarks of Semiconductor Components Industries, LLC dba onsemi or its subsidiaries in the United States and/or other countries. onsemi reserves the right to make changes without further notice to any products herein. onsemi makes no warranty, representation or guarantee regarding the suitability of its products for any particular purpose, nor does onsemi assume any liability arising out of the application or use of any product or circuit, and specifically disclaims any and all liability, including without limitation special, consequential or incidental damages. onsemi does not convey any license under its patent rights nor the rights of others.



**onsemi**, **Onsemi**, and other names, marks, and brands are registered and/or common law trademarks of Semiconductor Components Industries, LLC dba "**onsemi**" or its affiliates and/or subsidiaries in the United States and/or other countries. **onsemi** owns the rights to a number of patents, trademarks, copyrights, trade secrets, and other intellectual property. A listing of **onsemi**'s product/patent coverage may be accessed at [www.onsemi.com/site/pdf/Patent-Marking.pdf](http://www.onsemi.com/site/pdf/Patent-Marking.pdf). **onsemi** reserves the right to make changes at any time to any products or information herein, without notice. The information herein is provided "as-is" and **onsemi** makes no warranty, representation or guarantee regarding the accuracy of the information, product features, availability, functionality, or suitability of its products for any particular purpose, nor does **onsemi** assume any liability arising out of the application or use of any product or circuit, and specifically disclaims any and all liability, including without limitation special, consequential or incidental damages. Buyer is responsible for its products and applications using **onsemi** products, including compliance with all laws, regulations and safety requirements or standards, regardless of any support or applications information provided by **onsemi**. "Typical" parameters which may be provided in **onsemi** data sheets and/or specifications can and do vary in different applications and actual performance may vary over time. All operating parameters, including "Typicals" must be validated for each customer application by customer's technical experts. **onsemi** does not convey any license under any of its intellectual property rights nor the rights of others. **onsemi** products are not designed, intended, or authorized for use as a critical component in life support systems or any FDA Class 3 medical devices or medical devices with a same or similar classification in a foreign jurisdiction or any devices intended for implantation in the human body. Should Buyer purchase or use **onsemi** products for any such unintended or unauthorized application, Buyer shall indemnify and hold **onsemi** and its officers, employees, subsidiaries, affiliates, and distributors harmless against all claims, costs, damages, and expenses, and reasonable attorney fees arising out of, directly or indirectly, any claim of personal injury or death associated with such unintended or unauthorized use, even if such claim alleges that **onsemi** was negligent regarding the design or manufacture of the part. **onsemi** is an Equal Opportunity/Affirmative Action Employer. This literature is subject to all applicable copyright laws and is not for resale in any manner.

## ADDITIONAL INFORMATION

### TECHNICAL PUBLICATIONS:

Technical Library: [www.onsemi.com/design/resources/technical-documentation](http://www.onsemi.com/design/resources/technical-documentation)  
onsemi Website: [www.onsemi.com](http://www.onsemi.com)

### ONLINE SUPPORT: [www.onsemi.com/support](http://www.onsemi.com/support)

For additional information, please contact your local Sales Representative at [www.onsemi.com/support/sales](http://www.onsemi.com/support/sales)