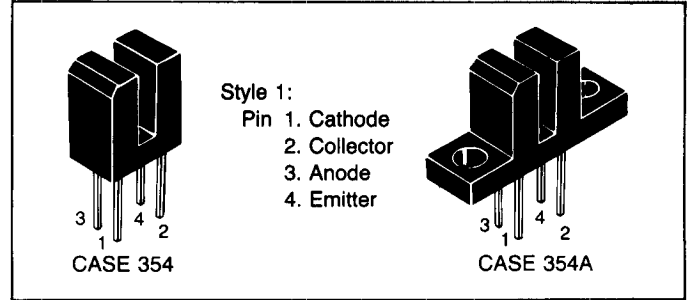


OPTOELECTRONICS — (continued)

Couplers/Interrupters

Slotted Couplers/Interrupter Modules

Slotted couplers consist of an infrared emitting diode facing a photodetector in a molded plastic housing. A slot in the housing between the emitter and the detector provides a means of interrupting the signal. A wide selection of standard and custom housings and detector functions is available. All IREDs and photodetectors in the miniature Case 349 (see Silicon Photodetectors) can be used in these housings.



Transistor Output ($V_{(BR)CEO} = 30\text{ V}$)

Device	Current Transfer Ratio (CTR)			$V_{CE(sat)}$			t_{on}, t_{off} Typ				V_F		Case
	% Min	@ I_F mA	VCE Volts	Volts Max	@ I_F mA	I_C mA	μs	V_{CC} Volts	R_L Ω	I_F mA	Volts Max	@ I_F mA	
MOC7811	5.0	20	5.0	0.4	30	1.8	12/60	5.0	2.5K	30	1.8	50	354A Style 1
MOC7812	10	20	5.0	0.4	20	1.8	12/60	5.0	2.5K	30	1.8	50	
MOC7813	20	20	5.0	0.4	20	1.8	12/60	5.0	2.5K	30	1.8	50	
MOC7821	5.0	20	5.0	0.4	30	1.8	12/60	5.0	2.5K	30	1.8	50	354 Style 1
MOC7822	10	20	5.0	0.4	20	1.8	12/60	5.0	2.5K	30	1.8	50	
MOC7823	20	20	5.0	0.4	20	1.8	12/60	5.0	2.5K	30	1.8	50	

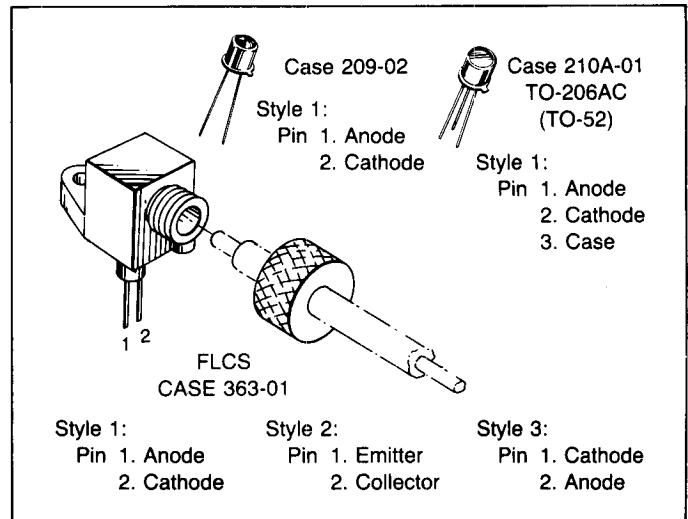
3

Fiber Optic Devices

Motorola offers high performance Infrared Emitters and Detectors for fiber optic systems. Devices are available for systems requiring greater than 100 MHz analog bandwidth over several kilometers or requiring very low cost with up to 10 MHz bandwidth over short distances.

The packages fit directly into standard fiber optic connector systems. All devices are spectrally matched to minimum attenuation regions of most fiber optic cables.

The Fiber Optic Low Cost System (FLCS) package houses infrared emitters and detectors and has a molded lens which efficiently couples the light to and from the cable. The package is complete with the fiber alignment and locking mechanism and the means for attaching to a board.



Infrared Emitters

Designed as infrared sources for fiber optic systems. MFOE200 is compatible with AMP #227015; MFOE1200, MFOE1201 and MFOE1202 are compatible with AMP #228756-1 and Amphenol #905-138-5001 receptacles.

Device	Total Power Output		t_{on}/t_{off} ns Typ	λ nm Typ	Case
	mW Typ	@ I_F mA			
MFOE71	3.5	100	25	820	363-01 Style 1 (FLCS)
MFOE200	3.0	100	250	940	209-02 Style 1
MFOE1200	0.9	100	(>70 MHz bw)	820	210A-01 Style 1
MFOE1201	1.5	100	(>100 MHz bw)	820	
MFOE1202	2.4	100	(>100 MHz bw)	820	