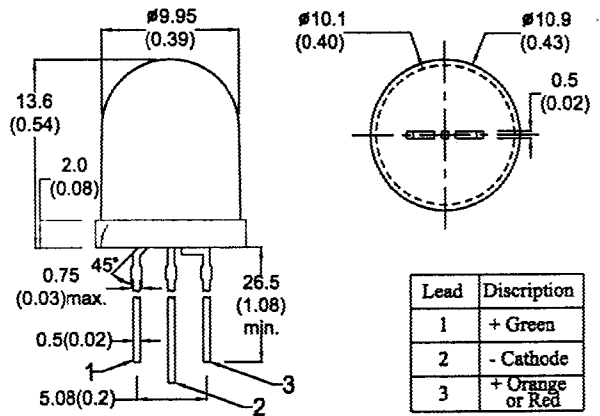


## DESCRIPTION

An orange and green lamp made of GaP offering a changing color characteristic dependent on the direction the lamp is biased. These two light emitting diodes are mounted in a 10mm diameter dual color package.



- All dimension in mm(inch)
- No Scale
- Tol. : +/-0.3mm

## ABSOLUTE MAXIMUM RATINGS

Power Dissipation @ Ta=25°C

Forward Current, DC (IF)

Reverse Voltage

Operating & Storage Temperature Range

Lead Temperature

100mW

30mA

5V

-55 to +100°C

260°C

## ELECTRO-OPTICAL CHARACTERISTICS

(Ta=25°C)

PARAMETER		SYMBOL	ORANGE	GREEN	UNIT	CONDITIONS
Forward Voltage	MAX	VF	3.0	3.0	V	IF=20mA
Reverse Breakdown Voltage	MIN	BVR	5	5	V	IR=100μA
Luminous Intensity	MIN	IV	13	14	mcd	IF=20mA
	TYP		18	20	mcd	
Peak Wavelength	TYP	$\lambda_p$	630	570	nm	IF=20mA
Spectral Line Half Width	TYP	$\Delta\lambda$	40	30	nm	IF=20mA



MICRO ELECTRONICS LTD. 美科有限公司

38, Hung To Road, Microtron Building, Kwun Tong, Kowloon, Hong Kong.

Kwun Tong P.O. Box 69477 Hong Kong. Fax No. 2341 0321 Telex: 43510 Micro Hx. Tel: 2343 0181-5