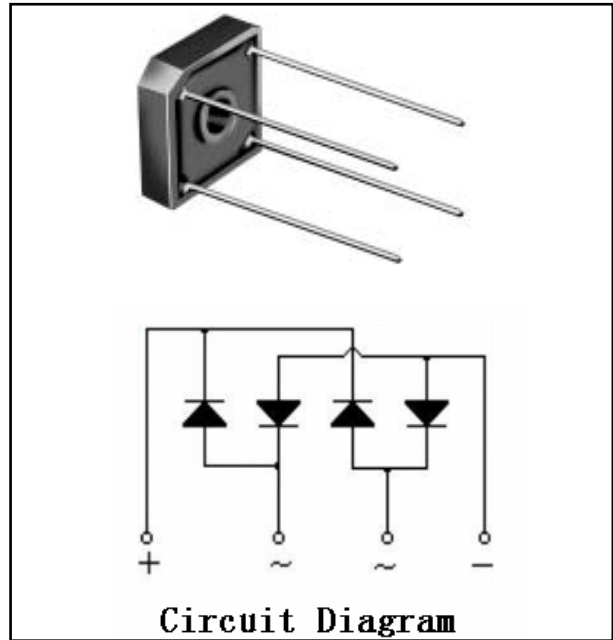


High Current Glass Passivated Single-Phase Bridge Rectifier

MP351W Thru MP3510W

FEATURES

- Plastic Package has Underwriters Laboratory Flammability Classification 94V-0
- High current capacity with small package
- Glass passivated chip junctions
- Superior thermal conductivity
- High I_{FSM}
- We declare that the material of product compliance with RoHS requirements.



Maximum Ratings & Thermal Characteristics Ratings at 25 °C ambient temperature unless otherwise specified.

Item	Symbol	MP351W	MP352W	MP354W	MP356W	MP358W	MP3510W	Unit
Maximum repetitive voltage	V_{RM}	100	200	400	600	800	1000	V
Maximum DC reverse current $T_A=25$ at rated DC blocking voltage $T_A=125$	I_R	10 500						μA
Average rectified forward current $T_c=82$ (1) 60Hz sinewave, R-load with heatsink $T_c=38$ (2)	I_O	35 ⁽¹⁾ 10 ⁽²⁾						A
Peak forward surge current 8.3 ms single half sine-wave superimposed on rated load	I_{FSM}	400						A
Dielectric strength Terminals to case, AC 1 minute Current 1mA	V_{dia}	2						KV
Maximum instantaneous forward voltage at 17.5A	V_F	1.1						V
Operating junction temperature	T_j	125						
Storage temperature	T_{stg}	-40~125						

Characteristic Curve

Fig. 1 Derating Curve

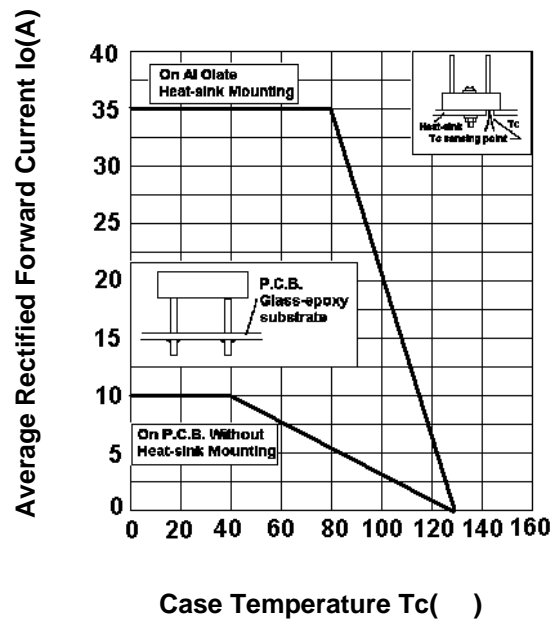


Fig.2 Typical Reverse Characteristics

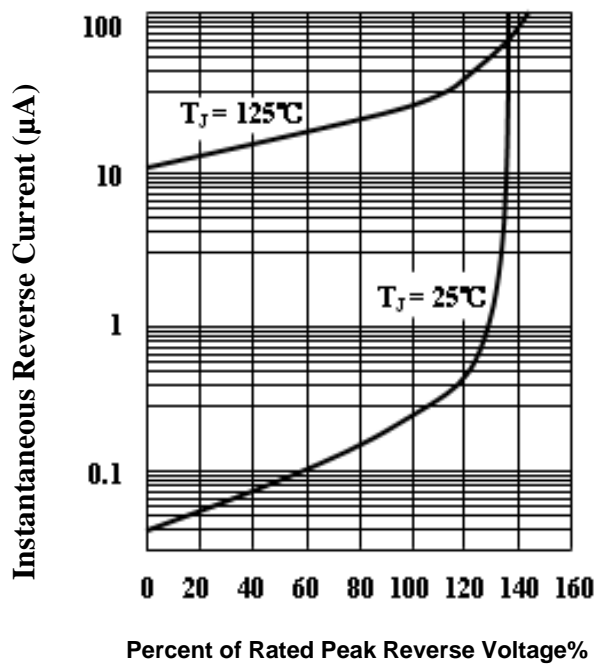


Fig.3 Forward Voltage

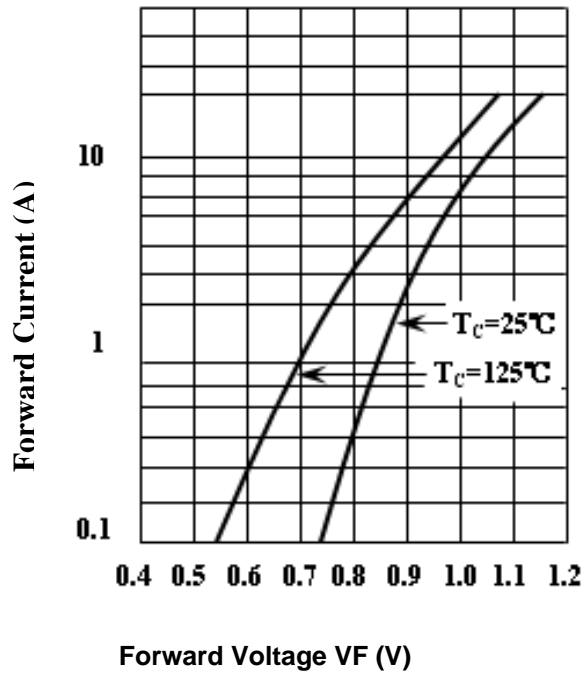
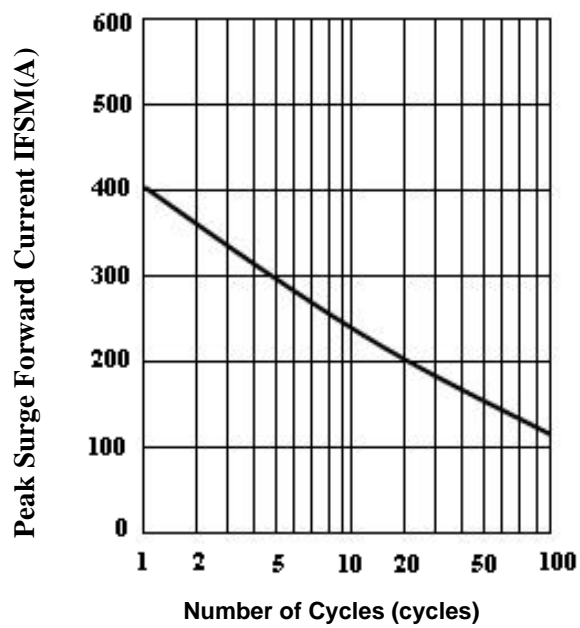
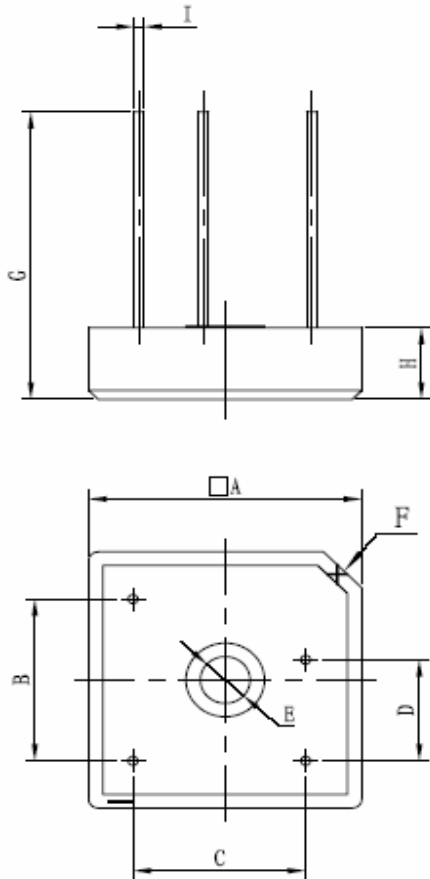


Fig.4 Peak Surge Forward Capability



SHAPE AND DIMENSIONS



DIM	INCHES		MILLIMETERS	
	MIN	MAX	MIN	MAX
A	1.110	1.134	28.20	28.80
B	0.697	0.720	17.70	18.30
C	0.697	0.720	17.70	18.30
D	0.433	0.457	11.00	11.60
E	0.197	0.213	5.00	5.40
F	0.157*45°		4*45°	
G	1.240	1.280	31.50	32.50
H	0.303	0.327	7.70	8.30
I	0.035	0.043	0.90	1.10

- NOTES: 1. DIMENSIONING AND TOLERANCING PER ANSII Y14.5M, 1982.
2. CONTROLLING DIMENSION: mm.