

# 1360 MHz Dual Output LVPECL Clock Synthesizer

**MPC92432**

The MPC92432 is a 3.3 V compatible, PLL based clock synthesizer targeted for high performance clock generation in mid-range to high-performance telecom, networking, and computing applications. With output frequencies from 21.25 MHz to 1360 MHz and the support of two differential PECL output signals, the device meets the needs of the most demanding clock applications.

## Features

- 21.25 MHz to 1360 MHz synthesized clock output signal
- Two differential, LVPECL-compatible high-frequency outputs
- Output frequency programmable through 2-wire I<sup>2</sup>C bus or parallel interface
- On-chip crystal oscillator for reference frequency generation
- Alternative LVCMOS compatible reference clock input
- Synchronous clock stop functionality for both outputs
- LOCK indicator output (LVCMOS)
- LVCMOS compatible control inputs
- Fully integrated PLL
- 3.3-V power supply
- 48-lead LQFP
- 48-lead Pb-free package available
- SiGe Technology
- Ambient temperature range: -40°C to +85°C

## Applications

- Programmable clock source for server, computing, and telecommunication systems
- Frequency margining
- Oscillator replacement

## Functional Description

The MPC92432 is a programmable high-frequency clock source (clock synthesizer). The internal PLL generates a high-frequency output signal based on a low-frequency reference signal. The frequency of the output signal is programmable and can be changed on the fly for frequency margining purpose.

The internal crystal oscillator uses the external quartz crystal as the basis of its frequency reference. Alternatively, a LVCMOS compatible clock signal can be used as a PLL reference signal. The frequency of the internal crystal oscillator is divided by a selectable divider and then multiplied by the PLL. The VCO within the PLL operates over a range of 1360 to 2720 MHz. Its output is scaled by a divider that is configured by either the I<sup>2</sup>C or parallel interfaces. The crystal oscillator frequency  $f_{XTAL}$ , the PLL pre-divider P, the feedback-divider M, and the PLL post-divider N determine the output frequency. The feedback path of the PLL is internal.

The PLL post-divider N is configured through either the I<sup>2</sup>C or the parallel interfaces, and can provide one of six division ratios (2, 4, 8, 16, 32, 64). This divider extends the performance of the part while providing a 50% duty cycle. The high-frequency outputs, Q<sub>A</sub> and Q<sub>B</sub>, are differential and are capable of driving a pair of transmission lines terminated 50 Ω to V<sub>CC</sub> - 2.0 V. The second high-frequency output, Q<sub>B</sub>, can be configured to run at either 1x or 1/2x of the clock frequency or the first output (Q<sub>A</sub>). The positive supply voltage for the internal PLL is separated from the power supply for the core logic and output drivers to minimize noise induced jitter.

The configuration logic has two sections: I<sup>2</sup>C and parallel. The parallel interface uses the values at the M[9:0], NA[2:0], NB, and P parallel inputs to configure the internal PLL dividers. The parallel programming interface has priority over the serial I<sup>2</sup>C interface. The serial interface is I<sup>2</sup>C compatible and provides read and write access to the internal PLL configuration registers. The lock state of the PLL is indicated by the LVCMOS-compatible LOCK output.

**1360 MHz LOW VOLTAGE  
CLOCK SYNTHESIZER**



**FA SUFFIX<sup>(1)</sup>  
48-LEAD LQFP PACKAGE  
CASE 932-03**



**AE SUFFIX<sup>(2)</sup>  
48-LEAD LQFP PACKAGE  
Pb-FREE PACKAGE  
CASE 932-03**

1. FA suffix: leaded terminations.

2. AE suffix: lead-free, EPP and RoHS-compliant.

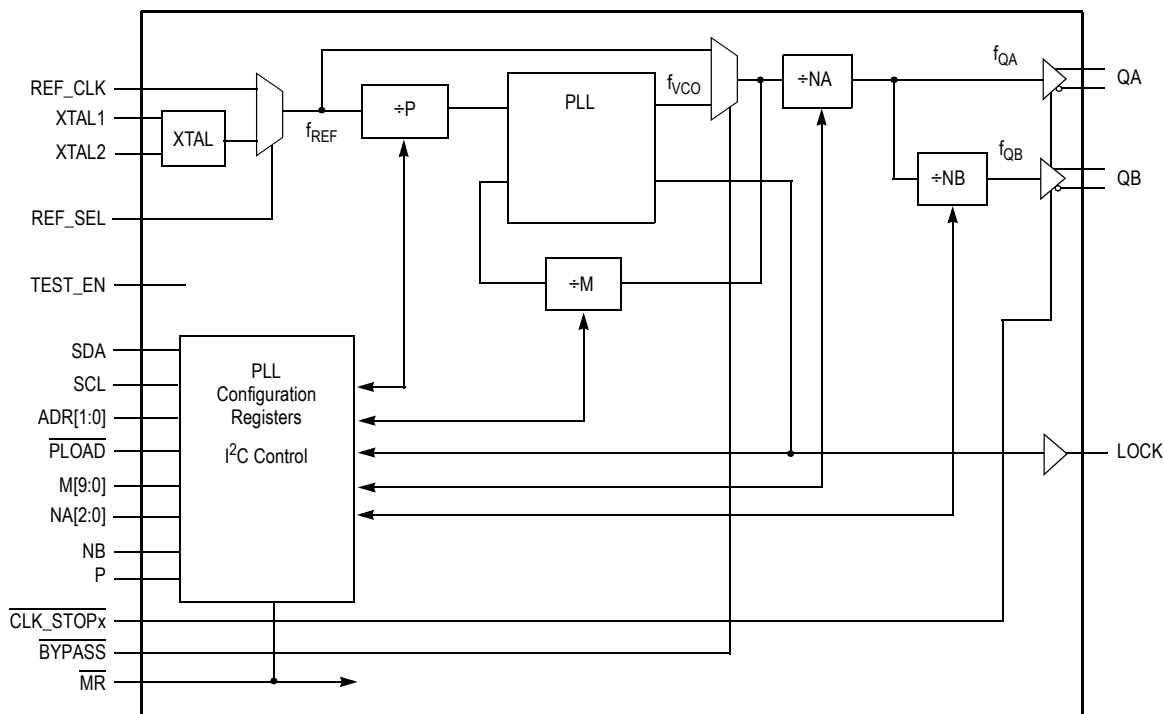


Figure 1. MPC92432 — Generic Logic Diagram

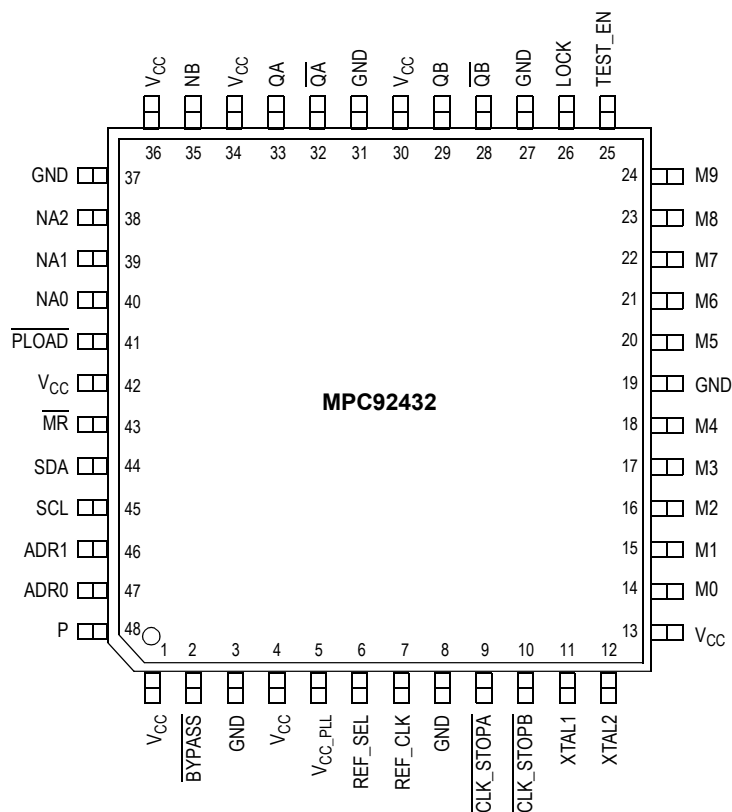


Figure 2. 48-Lead Package Pinout (Top View)

It is recommended to use an external RC filter for the analog V<sub>CC\_PLL</sub> supply pin. Please see the application section for details.

Table 1. Signal Configuration

Pin	I/O	Type	Function
XTAL1, XTAL2	Input	Analog	Crystal oscillator interface
REF_CLK	Input	LVC MOS	PLL external reference input
REF_SEL	Input	LVC MOS	Selects the reference clock input
QA	Output	Differential LVPECL	High frequency clock output
QB	Output	Differential LVPECL	High frequency clock output
LOCK	Output	LVC MOS	PLL lock indicator
M[9:0]	Input	LVC MOS	PLL feedback divider configuration
NA[2:0]	Input	LVC MOS	PLL post-divider configuration for output QA
NB	Input	LVC MOS	PLL post-divider configuration for output QB
P	Input	LVC MOS	PLL pre-divider configuration
$\overline{P\_LOAD}$	Input	LVC MOS	Selects the programming interface
SDA	I/O	LVC MOS	I <sup>2</sup> C data
SCL	Input	LVC MOS	I <sup>2</sup> C clock
ADR[1:0]	Input	LVC MOS	Selectable two bits of the I <sup>2</sup> C slave address
$\overline{BYPASS}$	Input	LVC MOS	Selects the static circuit bypass mode
TEST_EN	Input	LVC MOS	Factory test mode enable. This input must be set to logic low level in all applications of the device.
$\overline{CLK\_STOPx}$	Input	LVC MOS	Output Qx disable in logic low state
$\overline{MR}$	Input	LVC MOS	Device master reset
GND	Supply	Ground	Negative power supply
V <sub>CC_PLL</sub>	Supply	V <sub>CC</sub>	Positive power supply for the PLL (analog power supply). It is recommended to use an external RC filter for the analog power supply pin V <sub>CC_PLL</sub> .
V <sub>CC</sub>	Supply	V <sub>CC</sub>	Positive power supply for I/O and core

Table 2. Function Table

Control	Default <sup>(1)</sup>	0	1
Inputs			
REF_SEL	1	Selects REF_CLK input as PLL reference clock	Selects the XTAL interface as PLL reference clock
M[9:0]	01 1111 0100b <sup>(2)</sup>	PLL feedback divider (10-bit) parallel programming interface	
NA[2:0]	010	PLL post-divider parallel programming interface. See <a href="#">Table 9</a>	
NB	0	PLL post-divider parallel programming interface. See <a href="#">Table 10</a>	
P	1	PLL pre-divider parallel programming interface. See <a href="#">Table 8</a>	
$\overline{\text{PLOAD}}$	0	Selects the parallel programming interface. The internal PLL divider settings (M, NA, NB and P) are equal to the setting of the hardware pins. Leaving the M, NA, NB and P pins open (floating) results in a default PLL configuration with $f_{\text{OUT}} = 250$ MHz. See application/programming section.	Selects the serial (I <sup>2</sup> C) programming interface. The internal PLL divider settings (M, NA, NB and P) are set and read through the serial interface.
ADR[1:0]	00	Address bit = 0	Address bit = 1
SDA, SCL		See <a href="#">Programming the MPC92432</a>	
$\overline{\text{BYPASS}}$	1	PLL function bypassed $f_{\text{QA}} = f_{\text{REF}} \div N_{\text{A}}$ and $f_{\text{QB}} = f_{\text{REF}} \div (N_{\text{A}} \cdot N_{\text{B}})$	PLL function enabled $f_{\text{QA}} = (f_{\text{REF}} \div P) \cdot M \div N_{\text{A}}$ and $f_{\text{QB}} = (f_{\text{REF}} \div P) \cdot M \div (N_{\text{A}} \cdot N_{\text{B}})$
TEST_EN	0	Application mode. Test mode disabled.	Factory test mode is enabled
$\overline{\text{CLK\_STOPx}}$	1	Output Qx is disabled in logic low state. Synchronous disable is only guaranteed if NB = 0.	Output Qx is synchronously enabled
$\overline{\text{MR}}$		The device is reset. The output frequency is zero and the outputs are asynchronously forced to logic low state. After releasing reset (upon the rising edge of $\overline{\text{MR}}$ and independent on the state of $\overline{\text{PLOAD}}$ ), the MPC92432 reads the parallel interface (M, NA, NB and P) to acquire a valid startup frequency configuration. See application/programming section.	The PLL attempts to lock to the reference signal. The $t_{\text{LOCK}}$ specification applies.
Outputs			
LOCK		PLL is not locked	PLL is frequency locked

1. Default states are set by internal input pull-up or pull-down resistors of 75 k $\Omega$ .

2. If  $f_{\text{REF}} = 16$  MHz, the default configuration will result in a output frequency of 250 MHz.

Table 3. General Specifications

Symbol	Characteristics	Min	Typ	Max	Unit	Condition
$V_{TT}$	Output Termination Voltage		$V_{CC} - 2$		V	
MM	ESD Protection (Machine Model)	200			V	
HBM	ESD Protection (Human Body Model)	2000			V	
LU	Latch-Up Immunity	200			mA	
$C_{IN}$	Input Capacitance		4.0		pF	Inputs
$\theta_{JA}$	LQFP 48 Thermal Resistance Junction to Ambient JESD 51-3, single layer test board		69		°C/W	Natural convection
			64		°C/W	200 ft/min
$\theta_{JA}$	JESD 51-6, 2S2P multilayer test board		53		°C/W	Natural convection
			50		°C/W	200 ft/min
$\theta_{JC}$	LQFP 48 Thermal Resistance Junction to Case		TBD	TBD	°C/W	MIL-SPEC 883E Method 1012.1

Table 4. Absolute Maximum Ratings<sup>(1)</sup>

Symbol	Characteristics	Min	Max	Unit	Condition
$V_{CC}$	Supply Voltage	-0.3	3.9	V	
$V_{IN}$	DC Input Voltage <sup>(2)</sup>	-0.3	$V_{CC} + 0.3$	V	
$V_{OUT}$	DC Output Voltage	-0.3	$V_{CC} + 0.3$	V	
$I_{IN}$	DC Input Current		±20	mA	
$I_{OUT}$	DC Output Current		±50	mA	
$T_S$	Storage Temperature	-65	125	°C	

1. Absolute maximum continuous ratings are those maximum values beyond which damage to the device may occur. Exposure to these conditions or conditions beyond those indicated may adversely affect device reliability. Functional operation at absolute-maximum-rated conditions is not implied.
2. All input pins including SDA and SCL pins.

**Table 5. DC Characteristics** ( $V_{CC} = 3.3 \text{ V} \pm 5\%$ ,  $T_J = -40^\circ\text{C}$  to  $+85^\circ\text{C}$ )

Symbol	Characteristics	Min	Typ	Max	Unit	Condition
LVCMOS Control Inputs (M[9:0], N[2:0], ADDR[1:0], NB, P, CLK_STOPx, BYPASS, MR, REF_SEL, TEST_EN, PLOAD)						
$V_{IH}$	Input High Voltage	2.0		$V_{CC} + 0.3$	V	LVCMOS
$V_{IL}$	Input Low Voltage			0.8	V	LVCMOS
$I_{IN}$	Input Current <sup>(1)</sup>			$\pm 200$	$\mu\text{A}$	$V_{IN} = V_{CC}$ or GND
I <sup>2</sup> C Inputs (SCL, SDA)						
$V_{IH}$	Input High Voltage	2.0		$V_{CC} + 0.3$	V	LVCMOS
$V_{IL}$	Input Low Voltage			0.8	V	LVCMOS
$I_{IN}$	Input Current			$\pm 10$	$\mu\text{A}$	
LVCMOS Output (LOCK)						
$V_{OH}$	Output High Voltage	2.4			V	$I_{OH} = -4 \text{ mA}$
$V_{OL}$	Output Low Voltage			0.4	V	$I_{OL} = 4 \text{ mA}$
I <sup>2</sup> C Open Drain Output (SDA)						
$V_{OL}$	Input Low Voltage			0.4	V	$I_{OL} = 4 \text{ mA}$
Differential Clock Output QA, QB <sup>(2)</sup>						
$V_{OH}$	Output High Voltage	$V_{CC} - 1.02$		$V_{CC} - 0.74$	V	LVPECL
$V_{OL}$	Output Low Voltage	$V_{CC} - 1.95$		$V_{CC} - 1.60$	V	LVPECL
$V_{O(P-P)}$	Output Peak-to-Peak Voltage	0.5	0.6	1.0	V	
Supply Current						
$I_{CC\_PLL}$	Maximum PLL Supply Current			10	mA	$V_{CC\_PLL}$ Pins
$I_{CC}$	Maximum Supply Current			150	mA	All $V_{CC}$ Pins

1. Inputs have pull-down resistors affecting the input current.

2. Outputs terminated  $50 \Omega$  to  $V_{TT} = V_{CC} - 2 \text{ V}$ .

**Table 6. AC Characteristics** ( $V_{CC} = 3.3\text{ V} \pm 5\%$ ,  $T_J = -40^\circ\text{C}$  to  $+85^\circ\text{C}$ )<sup>(1)</sup>

Symbol	Characteristics	Min	Typ	Max	Unit	Condition
$f_{XTAL}$	Crystal Interface Frequency Range	15	16	20	MHz	
$f_{REF}$	FREF_EXT Reference Frequency Range	15		20	MHz	
$f_{VCO}$	VCO Frequency Range <sup>(2)</sup>	1360		2720	MHz	
$f_{MAX}$	Output Frequency <sup>(3)</sup>	N = +2	680	1360	MHz	
		N = +4	340	680	MHz	
		N = +8	170	340	MHz	
		N = +16	85	170	MHz	
		N = +32	42.5	85	MHz	
		N = +64	21.25	42.5	MHz	
$f_{SCL}$	Serial Interface (I <sup>2</sup> C) Clock Frequency	0		0.4	MHz	
$t_{P\_MIN}$	Minimum Pulse Width ( $\overline{P\_LOAD}$ )	50			ns	
DC	Output Duty Cycle	45	50	55	%	
$t_{SK(O)}$	Output-to-Output Skew	NB = 0 ( $f_{QA} = f_{QB}$ )		38	ps	
		NB = 1 ( $f_{QA} = 2 \cdot f_{QB}$ )		96	ps	
$t_r, t_f$	Output Rise/Fall Time (QA, QB)	0.05		0.3	ns	20% to 80%
$t_r, t_f$	Output Rise/Fall Time (SDA)			250	ns	$C_L = 400\text{ pF}$
$t_{P\_EN}$	Output Enable Time ( $\overline{CLKSTOPx}$ to QA, QB)	0		$2 \cdot T_{Qx}$		$T_{Qx} = \text{Output period}$
$t_{P\_DIS}$	Output Disable Time ( $\overline{CLKSTOPx}$ to QA, QB)	0		$1.5 \cdot T_{Qx}$		$T_{Qx} = \text{Output period}$
$t_{JIT(CC)}$	Cycle-to-Cycle Jitter (RMS $1\sigma$ ) <sup>(4)</sup>	N = +2, +4, +8		15	ps	
		N = +16		37	ps	
		N = +32		32	ps	
		N = +64		50	ps	
		N = +128		85	ps	
$t_{JIT(PER)}$	Period Jitter (RMS $1\sigma$ ) <sup>(5)</sup>	N = +2, +4		10	ps	
		N = +8		13	ps	
		N = +16		24	ps	
		N = +32		34	ps	
		N = +64		60	ps	
N = +128		85	ps			
BW	PLL Closed Loop Bandwidth <sup>(6)</sup>	P = 2	250 – 700		kHz	
		P = 4	125 – 400		kHz	
$t_{LOCK}$	Maximum PLL Lock Time			10	ms	

1. AC characteristics apply for parallel output termination of  $50\ \Omega$  to  $V_{TT}$ .

2. The input frequency  $f_{XTAL}$ , the PLL divider M and P must match the VCO frequency range:  $f_{VCO} = f_{XTAL} \cdot M \div P$ . The feedback divider M is limited to  $170 \leq M \leq 340$  (for  $P = 2$ ) and  $340 \leq M \leq 680$  (for  $P = 4$ ) for stable PLL operation.

3. Output frequency for  $Q_A, Q_B$  if  $N_B = 0$ . With  $N_B = 1$  the  $Q_B$  output frequency is half of the  $Q_A$  output frequency.

4. Maximum cycle jitter measured at the lowest VCO frequency. Figure 8 shows the cycle jitter vs. frequency characteristics.

5. Maximum cycle period measured at the lowest VCO frequency. Figure 9 shows the period jitter vs. frequency characteristics.

6. -3 dB point of PLL transfer characteristics.

## APPLICATION INFORMATION

## Output Frequency Configuration

The MPC92432 is a programmable frequency source (synthesizer) and supports an output frequency range of 21.25 – 1360 MHz. The output frequency  $f_{OUT}$  is a function of the reference frequency  $f_{REF}$  and the three internal PLL dividers P, M, and N.  $f_{OUT}$  can be represented by this formula:

$$f_{OUT} = (f_{REF} \div P) \cdot M \div (N_{A, B}) \quad (1)$$

The M, N and P dividers require a configuration by the user to achieve the desired output frequency. The output divider,  $N_A$ , determines the achievable output frequency range (see Table 7). The PLL feedback-divider M is the frequency multiplication factor and the main variable for frequency synthesis. For a given reference frequency  $f_{REF}$ , the PLL feedback-divider M must be configured to match the specified VCO frequency range in order to achieve a valid PLL configuration:

$$f_{VCO} = (f_{REF} \div P) \cdot M \text{ and} \quad (2)$$

$$1360 \leq f_{VCO} \leq 2720 \quad (3)$$

The output frequency may be changed at any time by changing the value of the PLL feedback divider M. The smallest possible output frequency change is the synthesizer granularity G (difference in  $f_{OUT}$  when incrementing or decrementing M). At a given reference frequency, G is a function of the PLL pre-divider P and post-divider N:

$$G = f_{REF} \div (P \cdot N_{A, B}) \quad (4)$$

The  $N_B$  divider configuration determines if the output  $Q_B$  generates a 1:1 or 2:1 frequency copy of the  $Q_A$  output signal. The purpose of the PLL pre-divider P is to situate the PLL into the specified VCO frequency range  $f_{VCO}$  (in combination with M). For a given output frequency, P = 4 results in a smaller output frequency granularity G, P = 2 results in a larger output frequency granularity G and also increases the PLL bandwidth compared to the P = 2 setting.

The following example illustrates the output frequency range of the MPC92432 using a 16-MHz reference frequency.

Table 7. Frequency Ranges ( $f_{REF} = 16$  MHz)

$f_{OUT} (Q_A)$ [MHz]	$N_A$	M	P	G [MHz]
680 – 1360	$N_A = 2$	170 – 340	2	4
		340 – 680	4	2
340 – 680	$N_A = 4$	170 – 340	2	2
		340 – 680	4	1
170 – 340	$N_A = 8$	170 – 340	2	1
		340 – 680	4	0.5
85 – 170	$N_A = 16$	170 – 340	2	0.5
		340 – 680	4	0.25
42.5 – 85	$N_A = 32$	170 – 340	2	0.25
		340 – 680	4	0.125
21.25 – 42.5	$N_A = 64$	170 – 340	2	0.125
		340 – 680	4	0.0625

## Example Output Frequency Configuration

If a reference frequency of 16 MHz is available, an output frequency at  $Q_A$  of 250 MHz and a small frequency granularity is desired, the following steps would be taken to identify the appropriate P, M, and N configuration:

- Use Table 7 to select the output divider,  $N_A$ , that matches the desired output frequency or frequency range. According to Table 7, a target output frequency of 250 MHz falls in the  $f_{OUT}$  range of 170 to 340 MHz and requires to set  $N_A = 8$ .
- Calculate the VCO frequency  $f_{VCO} = f_{OUT} \cdot N_A$ , which is 2000 MHz in this example.
- Determine the PLL feedback divider:  $M = f_{VCO} \div P$ . The smallest possible output granularity in this example calculation is 500 kHz (set P = 4). M calculates to a value of  $2000 \div 4 = 500$ .
- Configure the MPC92432 with the obtained settings:
  - $M[9:0] = 0111110100b$  (binary number for M=500)
  - $N_A[2:0] = 010$  ( $\div 8$  divider, see Table 9)
  - $P = 1$  ( $\div 4$  divider, see Table 8)
  - $N_B = 0$  ( $f_{OUT, QB} = f_{OUT, QA}$ )
- Use either parallel or serial interface to apply the setting. The I<sup>2</sup>C configuration byte for this examples are:

PLL\_H=01010010b and PLL\_L=11110100b.

See Table 14 and Table 15 for register maps.

## PLL Divider Configuration

Table 8. Pre-PLL Divider P

P	Value
0	$f_{REF} \div 2$
1	$f_{REF} \div 4$

Table 9. Post-PLL Divider  $N_A$ 

$N_{A0}$	$N_{A1}$	$N_{A2}$	$f_{OUT} (Q_A)$
0	0	0	$f_{VCO} \div 2$
0	0	1	$f_{VCO} \div 4$
0	1	0	$f_{VCO} \div 8$
0	1	1	$f_{VCO} \div 16$
1	0	0	$f_{VCO} \div 32$
1	0	1	$f_{VCO} \div 64$

Table 10. Post-PLL Divider  $N_B$ 

$N_B$	Value
0	$f_{OUT, QB} = f_{OUT, QA}$
1	$f_{OUT, QB} = f_{OUT, QA} \div 2$



### Programming the MPC92432

The MPC92432 has a parallel and a serial configuration interface. The purpose of the parallel interface is to directly configure the PLL dividers through hardware pins without the overhead of a serial protocol. At device startup, the device always obtains an initial PLL frequency configuration through the parallel interface. The parallel interface does not support reading the PLL configuration.

The serial interface is I<sup>2</sup>C compatible. It allows reading and writing device settings by accessing internal device registers. The serial interface is designed for host-controller access to the synthesizer frequency settings for instance in frequency-margining applications.

#### Using the Parallel Interface

The parallel interface supports write-access to the PLL frequency setting directly through 15 configuration pins (P, M[9:0], NA[2:0], and NB). The parallel interface must be enabled by setting PLOAD to logic low level. During  $\overline{\text{PLOAD}} = 0$ , any change of the logical state of the P, M[9:0], NA[2:0], and NB pins will immediately affect the internal PLL divider settings, resulting in a change of the internal VCO-frequency and the output frequency. The parallel interface mode disables the I<sup>2</sup>C write-access to the internal registers; however, I<sup>2</sup>C read-access to the internal configuration registers is enabled.

Upon startup, when the device reset signal is released (rising edge of the  $\overline{\text{MR}}$  signal), the device reads its startup configuration through the parallel interface and independent on the state of PLOAD. It is recommended to provide a valid PLL configuration for startup. If the parallel interface pins are left open, a default PLL configuration will be loaded. After the low-to-high transition of  $\overline{\text{PLOAD}}$ , the configuration pins have no more effect and the configuration registers are made accessible through the serial interface.

**Table 11. PLL Feedback-Divider Configuration (M)**

Feedback Divider M	9	8	7	6	5	4	3	2	1	0
Pin	M9	M8	M7	M6	M5	M4	M3	M2	M1	M0
Default	0	1	1	1	1	1	0	1	0	0

**Table 12. PLL Pre/Post-Divider Configuration (N, P)**

Post-D. NA	2	1	0	Post-D. NB	NB	Pre-D. P	P
Pin	NA2	NA1	NA0	Pin	NB	Pin	P
Default	0	1	1	Default	0	Default	1

#### Using the I<sup>2</sup>C Interface

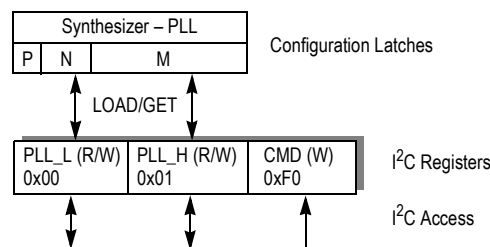
$\overline{\text{PLOAD}} = 1$  enables the programming and monitoring of the internal registers through the I<sup>2</sup>C interface. Device register access (write and read) is possible through the 2-wire interface using SDA (configuration data) and SCL (configuration clock) signals. The MPC92432 acts as a slave device at the I<sup>2</sup>C bus. For further information on I<sup>2</sup>C it is recommended to refer to the I<sup>2</sup>C bus specification (version 2.1).

$\overline{\text{PLOAD}} = 0$  disables the I<sup>2</sup>C-write-access to the configuration registers and any data written into the register is ignored. However, the MPC92432 is still visible at the I<sup>2</sup>C interface and I<sup>2</sup>C transfers are acknowledged by the device. Read-access to the internal registers during  $\overline{\text{PLOAD}} = 0$  (parallel programming mode) is supported.

Note that the device automatically obtains a configuration using the parallel interface upon the release of the device reset (rising edge of  $\overline{\text{MR}}$ ) and independent on the state of PLOAD. Changing the state of the PLOAD input is not supported when the device performs any transactions on the I<sup>2</sup>C interface.

#### Programming Model and Register Set

The synthesizer contains two fully accessible configuration registers (PLL\_L and PLL\_H) and a write-only command register (CMD). Programming the synthesizer frequency through the I<sup>2</sup>C interface requires two steps: 1) writing a valid PLL configuration to the configuration registers and 2) loading the registers into the PLL by an I<sup>2</sup>C command. The PLL frequency is affected as a result of the second step. This two-step procedure can be performed by a single I<sup>2</sup>C transaction or by multiple, independent I<sup>2</sup>C transactions. An alternative way to achieve small PLL frequency changes is to use the increment or decrement commands of the synthesizer, which have an immediate effect on the PLL frequency.



**Figure 3. I<sup>2</sup>C Mode Register Set**

Figure 3 illustrates the synthesizer register set. PLL\_L and PLL\_H store a PLL configuration and are fully accessible (Read/Write) by the I<sup>2</sup>C bus. CMD (Write only) accepts commands (LOAD, GET, INC, DEC) to update registers and for direct PLL frequency changes.

Set the synthesizer frequency:

- 1) Write the PLL\_L and PLL\_H registers with a new configuration (see Table 14 and Table 15 for register maps)
- 2) Write the LOAD command to update the PLL dividers by the current PLL\_L, PLL\_H content.

Read the synthesizer frequency:

- 1) Write the GET commands to update the PLL\_L, PLL\_H registers by the PLL divider setting
- 2) Read the PLL\_L, PLL\_H registers through I<sup>2</sup>C

Change the synthesizer frequency in small steps:

- 1) Write the INC or DEC command to change the PLL frequency immediately. Repeat at any time if desired.

LOAD and GET are inverse command to each other. LOAD updates the PLL dividers and GET updates the configuration registers. A fast and convenient way to change the PLL frequency is to use the INC (increment M) and DEC (decrement M) commands of the synthesizer. INC (DEC) directly increments (decrements) the PLL-feedback divider M and immediately changes the PLL frequency by the smallest step G (see Table 7 for the frequency granularity G). The INC and DEC commands are designed for multiple and rapid PLL frequency changes as required in frequency margining applications. INC and DEC do not require the user to update the PLL dividers by the LOAD command, INC and DEC do not update the PLL\_L and PLL\_H registers either (use LOAD for an initial PLL divider setting and, if desired, use GET to read the PLL configuration). Note that the synthesizer does not check any boundary conditions such as the VCO frequency range. Applying the INC and DEC commands could result in invalid VCO frequencies (VCO frequency beyond lock range).

#### Register Maps

**Table 13. Configuration Registers**

Address	Name	Content	Access
0x00	PLL_L	Least significant 8 bits of M	R/W
0x01	PLL_H	Most significant 2 bits of M, P, N <sub>A</sub> , N <sub>B</sub> , and lock state	R/W
0xF0	CMD	Command register (write only)	W only

Register 0x00 (PLL\_L) contains the least significant bits of the PLL feedback divider M.

**Table 14. PLL\_L (0x00, R/W) Register**

Bit	7	6	5	4	3	2	1	0
Name	M7	M6	M5	M4	M3	M2	M1	M0

Register content:

M[7:0] PLL feedback-divider M, bits 7–0

Register 0x01 (PLL\_H) contains the two most significant bits of the PLL feedback divider M, four bits to control the PLL post-dividers N and the PLL pre-divider P. The bit 0 in PLL\_H register indicates the lock condition of the PLL and is set by the synthesizer automatically. The LOCK state is a copy of the PLL lock signal output (LOCK). A write-access to LOCK has no effect.

**Table 15. PLL\_H (0x01, R/W) Register**

Bit	7	6	5	4	3	2	1	0
Name	M9	M8	NA2	NA1	NA0	NB	P	LOCK

Register content:

M[9:8] PLL feedback-divider M, bits 9–8  
 NA[2:0] PLL post-divider N<sub>A</sub>, see Table 9  
 NB PLL post-divider N<sub>B</sub>, see Table 10  
 P PLL pre-divider P, see Table 8  
 LOCK Copy of LOCK output signal (read-only)

Note that the LOAD command is required to update the PLL dividers by the content of both PLL\_L and PLL\_H registers.

Register 0xF0 (CMD) is a write-only command register. The purpose of CMD is to provide a fast way to increase or decrease the PLL frequency and to update the registers. The register accepts four commands, INC (increment M), DEC (decrement M), LOAD and GET (update registers). It is recommended to write the INC, DEC commands only after a valid PLL configuration is achieved. INC and DEC only affect the M-divider of the PLL (PLL feedback). Applying INC and DEC commands can result in a PLL configuration beyond the specified lock range and the PLL may lose lock. The MPC92432 does not verify the validity of any commands such as LOAD, INC, and DEC. The INC and DEC commands change the PLL feedback divider without updating PLL\_L and PLL\_H.

**Table 16. CMD (0xF0): PLL Command (Write-Only)**

Command	Op-Code	Description
INC	xxxx0001b (0x01)	Increase internal PLL frequency M:=M+1
DEC	xxxx0010b (0x02)	Decrease internal PLL frequency M:=M-1
LOAD	xxxx0100b (0x04)	Update the PLL divider config. PLL divider M, N, P:=PLL_L, PLL_H
GET	xxxx1000b (0x08)	Update the configuration registers PLL_L, PLL_H:=PLL divider M, N, P

#### I<sup>2</sup>C — Register Access in Parallel Mode

The MPC92432 supports the configuration of the synthesizer through the parallel interface (PLOAD = 0) and serial interface (PLOAD = 1). Register contents and the divider configurations are not changed when the user switches from parallel mode to serial mode. However, when switching from serial mode to parallel mode, the PLL dividers immediately reflect the logical state of the hardware pins M[9:0], NA[2:0], NB, and P.

Applications using the parallel interface to obtain a PLL configuration can use the serial interface to verify the divider settings. In parallel mode (PLOAD = 0), the MPC92432 allows read-access to PLL\_L and PLL\_H through I<sup>2</sup>C (if PLOAD = 0, the current PLL configuration is stored in PLL\_L, PLL\_H. The GET command is not necessary and also not supported in parallel mode). After changing from parallel to serial mode (PLOAD = 1), the last PLL configuration is still stored in PLL\_L, PLL\_H. The user now has full write and read access to both configuration registers through the I<sup>2</sup>C bus and can change the configuration at any time.

**Table 17. PLL Configuration in Parallel and Serial Modes**

PLL Configuration	Parallel	Serial (Registers PLL_L, PLL_H)
M[9:0]	Set pins M9–M0	M[9:0] (R/W)
NA[2:0]	Set pins NA2...NA0	NA[2:0] (R/W)
NB	Set pin NB	NB (R/W)
P	Set pin P	P (R/W)
LOCK status	LOCK pin 26	LOCK (Read only)

### Programming the I<sup>2</sup>C Interface

**Table 18. I<sup>2</sup>C Slave Address**

Bit	7	6	5	4	3	2	1	0
Value	1	0	1	1	0	Pin ADR1	Pin ADR0	R/W

The 7-bit I<sup>2</sup>C slave address of the MPC92432 synthesizer is a combination of a 5-bit fixed addresses and two variable bits which are set by the hardware pins ADR[1:0]. Bit 0 of the MPC92432 slave address is used by the bus controller to select either the read or write mode. '0' indicates a transmission (I<sup>2</sup>C-WRITE) to the MPC92432. '1' indicates a request for data (I<sup>2</sup>C-READ) from the synthesizer. The hardware pins ADR1 and ADR0 and should be individually

set by the user to avoid address conflicts of multiple MPC92432 devices on the same I<sup>2</sup>C bus.

#### Write Mode (R/W = 0)

The configuration registers are written by the bus controller by the initiation of a write transfer with the address of the configuration register (first byte), followed by the address of the configuration register (second byte: 0x00, 0x01 or 0xF0), and the configuration data byte (third byte). This transfer may be followed by writing more registers by sending the configuration register address followed by one data byte. Each byte sent by the bus controller is acknowledged by the MPC92432. The transfer ends by a stop bit sent by the bus controller. The number of configuration data bytes and the write sequence are not restricted.

**Table 19. Complete Configuration Register Write Transfer**

1 bit	7 bits	1 bit	1 bit	8 bits	1 bit	8 bits	1 bit	8 bits	1 bit	8 bits	1 bit	1 bit
Start	Slave address	R/W	ACK	&PLL_H	ACK	Config-Byte 1	ACK	&PLL_L	ACK	Config-Byte 2	ACK	Stop
	10110xx <sup>(1)</sup>	0		0x01		Data		0x00		Data		
Master	Master	Mast	Slave	Master	Slave	Master	Slave	Master	Slave	Master	Slave	Mast

1. xx = state of ADR1, ADR0 pins

#### Read Mode (R/W = 1)

The configuration registers are read by the bus controller by the initiation of a read transfer. The MPC92432 supports read transfers immediately after the first byte without a change in the transfer direction. Immediately after the bus controller sends the slave address, the MPC92432 acknowledges and then sends both configuration register PLL\_L and PLL\_H (back-to-back) to the bus controller. The CMD register cannot be read. In order to read the two synthesizer registers and the current PLL configuration setting, the user can 1) read PLL\_L, PLL\_H, write the GET

command (loads the current configuration into PLL\_L, PLL\_H) and read PLL\_L, PLL\_H again. Note that the PLL\_L, PLL\_H registers and divider settings may not be equivalent after the following cases:

- Writing the INC command
- Writing the DEC command
- Writing PLL\_L, PLL\_H registers with a new configuration and not writing the LOAD command.

**Table 20. Configuration Register Read Transfer**

1 bit	7 bits	1 bit	1 bit	8 bits	1 bit	8 bits	1 bit	1 bit
Start	Slave address	R/W	ACK	PLL_L	ACK	PLL_H	ACK	Stop
	10110xx <sup>(1)</sup>	1		Data		Data		
Master	Master	Mast	Slave	Slave	Mast	Slave	Master	Slave

1. xx = state of ADR1, ADR0 pins

### Device Startup

#### General Device Configuration

It is recommended to reset the MPC92432 during or immediately after the system powers up ( $\overline{MR} = 0$ ). The device acquires an initial PLL divider configuration through the parallel interface pins M[9:0], NA[2:0], N, and P<sup>(1)</sup> with the low-to-high transition of  $\overline{MR}$ <sup>(2)</sup>. PLL frequency lock is

achieved within the specified lock time ( $t_{LOCK}$ ) and is indicated by an assertion of the LOCK signal which completes the startup procedure. It is recommended to disable the outputs ( $\overline{CLK\_STOPx} = 0$ ) until PLL lock is achieved to suppress output frequency transitions. The output frequency can be reconfigured at any time through either the parallel or the serial interface.

- The parallel interface pins M[9:0], NA[2:0], N, and P may be left open (floating). In this case the initial PLL configuration will have the default setting of M = 500, P = 1, NA[2:0] = 010, NB = 0, resulting in an internal VCO frequency of 2000 MHz ( $f_{ref} = 16$  MHz) and an output frequency of 250 MHz.
- The initial PLL configuration is independent on the selected programming mode ( $\overline{PLOAD}$  low or high)

Note that a PLL configuration obtained by the parallel interface can be read through I<sup>2</sup>C independent on the current programming mode (parallel or serial). Refer to [I<sup>2</sup>C — Register Access in Parallel Mode](#) for additional information on how to read a PLL startup configuration through the I<sup>2</sup>C interface.

#### Starting-Up Using the Parallel Interface

The simplest way to use the MPC92432 is through the parallel interface. The serial interface pins (SDA, SDL, and ADDR[1:0]) can be left open and  $\overline{\text{PLOAD}}$  is set to logic low. After the release of  $\overline{\text{MR}}$  and at any other time the PLL/output frequency configuration is directly set to through the M[9:0], NA[2:0], NB, and P pins.

#### Start-Up Using the Serial (I<sup>2</sup>C) Interface

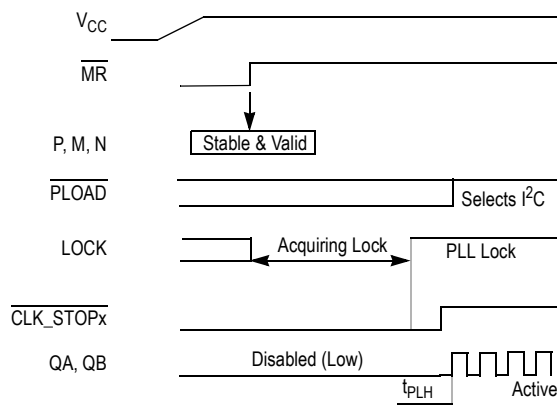


Figure 4. Start-Up Using I<sup>2</sup>C Interface

Set  $\overline{\text{PLOAD}} = 1$ ,  $\overline{\text{CLK\_STOPx}} = L$  and leave the parallel interface pins (M[9:0], NA[2:0], N, and P) open. The PLL dividers are configured by the default configuration at the low-to-high transition of  $\overline{\text{MR}}$ . This initial PLL configuration can be

re-programmed to the final VCO frequency at any time through the serial interface. After the PLL achieved lock at the desired VCO frequency, enable the outputs by setting  $\overline{\text{CLK\_STOPx}} = H$ . PLL lock and re-lock (after any configuration change through M or P) is indicated by LOCK being asserted.

#### LOCK Detect

The LOCK detect circuitry indicates the frequency-lock status of the PLL by setting and resetting the pin LOCK and register bit LOCK simultaneously. The LOCK status is asserted after the PLL acquired frequency lock during the startup and is immediately deasserted when the PLL lost lock, for instance when the reference clock is removed. The PLL may also loose lock when the PLL feedback-divider M or pre-divider P is changed or the DEC/INC command is issued. The PLL may not loose lock as a result of slow reference frequency changes. In any case of losing LOCK, the PLL attempts to re-lock to the reference frequency. LOCK and re-lock of the PLL is indicated by the LOCK signal after a delay of TBD cycles to prevent signaling temporary PLL locks during frequency transitions.

#### Output Clock Stop

Asserting  $\overline{\text{CLK\_STOPx}}$  will stop the respective output clock in logic low state. The  $\overline{\text{CLK\_STOPx}}$  control is internally synchronized to the output clock signal, therefore, enabling and disabling outputs does not produce runt pulses. See [Figure 5](#). The clock stop controls of the QA and QB outputs are independent on each other. If the QB runs at half of the QA output frequency and both outputs are enabled at the same time, the first clock pulse of QA may not appear at the same time of the first QB output. (See [Figure 6](#).) Coincident rising edges of QA and QB stay synchronous after the assertion and de-assertion of the  $\overline{\text{CLK\_STOPx}}$  controls. Asserting  $\overline{\text{MR}}$  always resets the output divider to a logic low output state, with the risk of producing an output runt pulse.

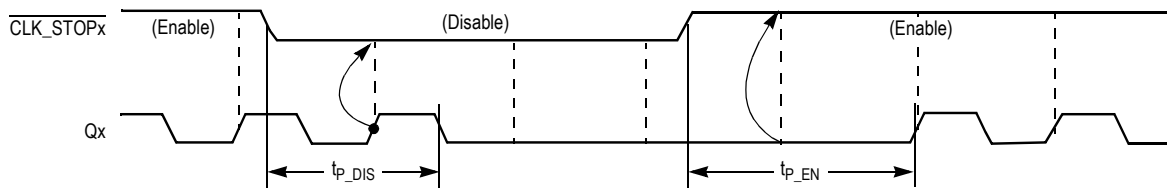


Figure 5. Clock Stop Timing for NB = 0 ( $f_{QA} = f_{QB}$ )

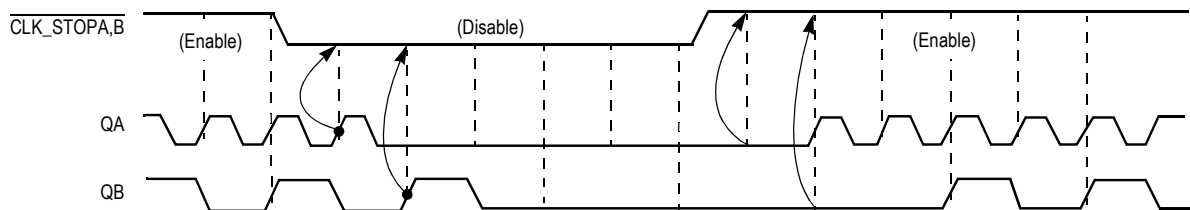


Figure 6. Clock Stop Timing for NB = 1 ( $f_{QA} = 2 f_{QB}$ )

## Frequency Operating Range

Table 21. MPC92432 Frequency Operating Range for P = 2

M	M[9:0]	f <sub>VCO</sub> [MHz] (Parameter: f <sub>REF</sub> in MHz)				Output Frequency for f <sub>XTAL</sub> = 16 MHz (Parameter N)					
		15	16	18	20	2	4	8	16	32	64
170	0010101010		1360	1530	1700	680	340	170	85	42.50	21.25
180	0010110100		1440	1620	1800	720	360	180	90	45.00	22.50
190	0010111110	1425	1520	1710	1900	760	380	190	95	47.50	23.75
200	0011001000	1500	1600	1800	2000	800	400	200	100	50.00	25.00
210	0011010010	1575	1680	1890	2100	840	420	210	105	52.50	26.25
220	0011011100	1650	1760	1980	2200	880	440	220	110	55.00	27.50
230	0011100110	1725	1840	2070	2300	920	460	230	115	57.50	28.75
240	0011110000	1800	1920	2160	2400	960	480	240	120	60.00	30.00
250	0011111010	1875	2000	2250	2500	1000	500	250	125	62.50	31.25
260	0100000100	1950	2080	2340	2600	1040	520	260	130	65.00	32.50
270	0100001110	2025	2160	2430	2700	1080	540	270	135	67.50	33.75
280	0100011000	2100	2240	2520		1120	560	280	140	70.00	35.00
290	0100100010	2175	2320	2610		1160	580	290	145	72.50	36.25
300	0100101100	2250	2400	2700		1200	600	300	150	75.00	37.50
310	0100110110	2325	2480			1240	620	310	155	77.50	38.75
320	0101000000	2400	2560			1280	640	320	160	80.00	40.00
330	0101001010	2475	2640			1320	660	330	165	82.50	41.25
340	0101010100	2550	2720			1360	680	340	170	85.00	42.50

Table 22. MPC92432 Frequency Operating Range for P = 4

M	M[9:0]	f <sub>VCO</sub> [MHz] (Parameter: f <sub>REF</sub> in MHz)				Output Frequency for f <sub>XTAL</sub> = 16 MHz (Parameter N)					
		15	16	18	20	2	4	8	16	32	64
340	0101010100		1360	1530	1700	680	340	170	85.0	42.50	21.25
350	0101011110		1400	1575	1750	700	350	175	87.5	43.75	21.875
360	0101101000		1440	1620	1800	720	360	180	90.0	45.00	22.50
370	0101110010	1387.5	1480	1665	1850	740	370	185	92.5	46.25	23.125
380	0101111100	1425.0	1520	1710	1900	760	380	190	95.0	47.50	23.75
390	0110000110	1462.5	1560	1755	1950	780	390	195	97.5	48.75	24.375
400	0110010000	1500.0	1600	1800	2000	800	400	200	100.0	50.00	25.00
410	0110110010	1537.5	1640	1845	2050	820	410	205	102.5	51.25	25.625
420	0110100100	1575.0	1680	1890	2100	840	420	210	105.0	52.50	26.25
430	0110101110	1612.5	1720	1935	2150	860	430	215	107.5	53.75	26.875
440	0110111000	1650.0	1760	1980	2200	880	440	220	110.0	55.00	27.50
450	0111000010	1687.5	1800	2025	2250	900	450	225	112.5	56.25	28.125
460	0111001100	1725.0	1840	2070	2300	920	460	230	115.0	57.50	28.75
470	0111010110	1762.5	1880	2115	2350	940	470	235	117.5	58.75	29.375
480	0111100000	1800.0	1920	2160	2400	960	480	240	120.0	60.00	30.00
490	0111101010	1837.5	1960	2205	2450	980	490	245	122.5	61.25	30.625
500	0111110100	1875.0	2000	2250	2500	1000	500	250	125.0	62.50	31.25
510	0111111110	1912.5	2040	2295	2550	1020	510	255	127.5	63.75	31.875
520	1000001000	1950.0	2080	2340	2600	1040	520	260	130.0	65.00	32.50
530	1000010010	1987.5	2120	2475	2650	1060	530	265	132.5	66.25	33.125
540	1000011100	2025.0	2160	2520	2700	1080	540	270	135.0	67.50	33.75
550	1000100110	2062.5	2200	2565		1100	550	285	137.5	68.75	34.375
560	1000110000	2100.0	2240	2610		1120	560	280	140.0	70.00	35.00
570	1000111010	2137.5	2280	2700		1140	570	285	142.5	71.25	35.625
580	1001000100	2175.0	2320			1160	580	290	145.0	72.50	36.25
590	1001001110	2212.5	2360			1180	590	295	147.5	73.75	36.875
600	1001011000	2250.0	2400			1200	600	300	150.0	75.00	37.50
610	1001100010	2287.5	2440			1220	610	305	152.5	76.25	38.125
620	1001101100	2325.0	2480			1240	620	310	155.0	77.50	38.75
630	1001110110	2362.5	2520			1260	630	315	157.5	78.75^	39.375
640	1010000000	2400.0	2560			1280	640	320	160.0	80.00	40.00
650	1010001010	2437.5	2600			1300	650	325	162.5	81.25	40.625
660	0010010100	2475.0	2640			1320	660	330	165	82.5	41.25
670	1010011110	2512.5	2680			1340	670	335	167.5	83.75	41.875
680	1010101000	2550.0	2720			1360	680	340	170	85.00	42.50

### V<sub>CC\_PLL</sub> Filter

The MPC92432 is a mixed analog/digital product. Its analog circuitry is naturally susceptible to random noise, especially if this noise is seen on the power supply pins. Random noise on the V<sub>CC\_PLL</sub> pin impacts the device AC characteristics. The MPC92432 provides separate power supplies for the digital circuitry (V<sub>CC</sub>) and the internal PLL (V<sub>CC\_PLL</sub>) of the device. The purpose of this design technique is to isolate the high switching noise digital outputs from the relatively sensitive internal analog phase-locked loop. In digital system environments where it is more difficult to minimize noise on the power supplies a second level of isolation is recommended: a power supply filter on the V<sub>CC\_PLL</sub> pin for the MPC92432.

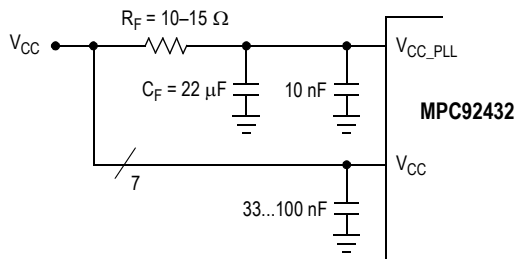


Figure 7. V<sub>CC\_PLL</sub> Power Supply Filter

Figure 7 illustrates a recommended power supply filter scheme.

The MPC92432 is most susceptible to noise with spectral content in the 100 kHz to 1 MHz range. Therefore, the filter should be designed to target this range. The key parameter that needs to be met in the final filter design is the DC voltage drop that will be seen between the V<sub>CC</sub> supply and the V<sub>CC\_PLL</sub> pin of the MPC92432. From the data sheet, the V<sub>CC\_PLL</sub> current (the current sourced through the V<sub>CC\_PLL</sub> pin) is maximum 10 mA, assuming that a minimum of 2.985 V must be maintained on the V<sub>CC\_PLL</sub> pin. The resistor shown in Figure 7 must have a resistance of 10–15 Ω to meet the voltage drop criteria. The minimum values for R<sub>F</sub> and the filter capacitor C<sub>F</sub> are defined by the filter characteristics: the RC filter should provide an attenuation greater than 40 dB for

noise whose spectral content is above 100 kHz. In the recommended filter shown in Figure 7 the filter cut-off frequency is around 3.0–4.5 kHz and the noise attenuation at 100 kHz is better than 42 dB.

As the noise frequency crosses the series resonant point of an individual capacitor its overall impedance begins to look inductive and thus increases with increasing frequency. The parallel capacitor combination shown ensures that a low impedance path to ground exists for frequencies well above the bandwidth of the PLL.

### The On-Chip Crystal Oscillator

The MPC92432 features an integrated on-chip crystal oscillator to minimize system implementation cost. The integrated oscillator is a Pierce-type that uses the crystal in its parallel resonance mode. It is recommended to use a 15 to 20 MHz crystal with a load specification of C<sub>L</sub> = 10 pF. Crystals with a load specification of C<sub>L</sub> = 20 pF may be used at the expense of an resulting slightly higher frequency than specified for the crystal. Externally connected capacitors on both the XTAL\_IN and XTAL\_OUT pins are not required but can be used to fine-tune the crystal frequency as desired.

The crystal, the trace and optional capacitors should be placed on the board as close as possible to the MPC92432 XTAL\_IN and XTAL\_OUT pins to reduce crosstalk of active signals into the oscillator. Short and wide traces further reduce parasitic inductance and resistance. It is further recommended to guard the crystal circuit by placing a ground ring around the traces and oscillator components.

Table 23. Recommended Crystal Specifications

Parameter	Value
Crystal Cut	Fundamental AT Cut
Resonance Mode	Parallel
Crystal Frequency	16–20 MHz
Shunt Capacitance C <sub>0</sub>	5–7 pF
Load Capacitance C <sub>L</sub>	10 pF
Equivalent Series Resistance ESR	20–60 Ω



### Jitter Performance of the MPC92432

Figure 8 and Figure 9 illustrate the RMS jitter performance of the MPC92432 across its specified VCO frequency range. The cycle-to-cycle and period jitter is a function of the VCO frequency and the output divider N. The general trend is that as the output frequency increases (higher VCO frequency and lower N-divider) the MPC92432 output jitter decreases. Optimum jitter performance can be achieved at higher VCO and output frequencies. The maximum cycle-to-cycle and period jitter published in Table 6 (AC characteristics) correspond to the jitter performance at the lowest VCO frequency limit. The VCO frequency can be calculated using formula (2).

### AC Test Reference and Output Termination

The MPC92432 LVPECL outputs are designed to drive 50 transmission lines and require a DC termination to  $V_{TT} = V_{CC} - 2\text{ V}$ . Figure 10 illustrates the AC test reference for the MPC92432 as used in characterization and test of this circuit. If a separate termination voltage ( $V_{TT}$ ) is not available, applications may use alternative output termination methods such as shown in Figure 11 and Figure 12.

The high-speed differential output signals of the MPC92432 are incompatible to single-ended LVCMOS signals. In order to use the synthesizer in LVCMOS clock signal environments, the dual-channel translator device MC100ES60T23 provides the necessary level conversion. The MC100ES60T23 has been specifically designed to interface with the MPC92432 and supports clock frequency up to 180 MHz.

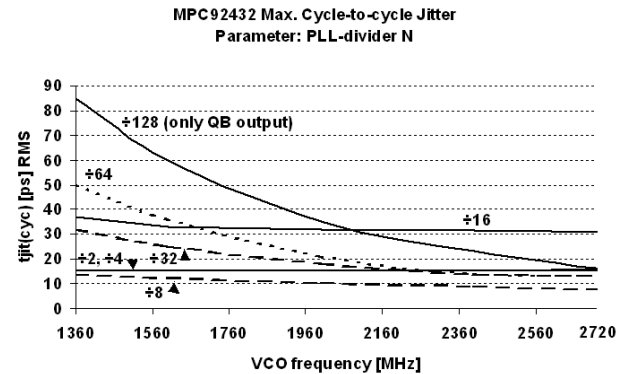


Figure 8. MPC92432 Cycle-to-Cycle Jitter

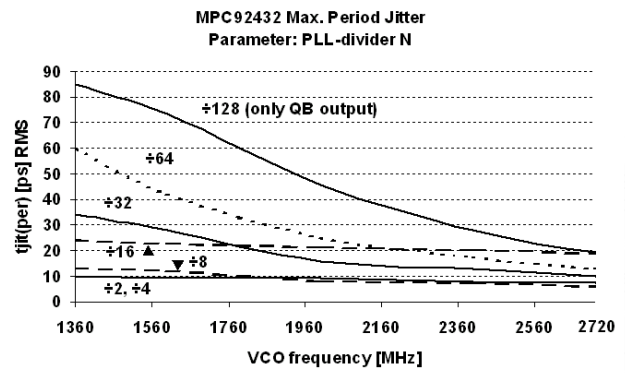


Figure 9. MPC92432 Period Jitter

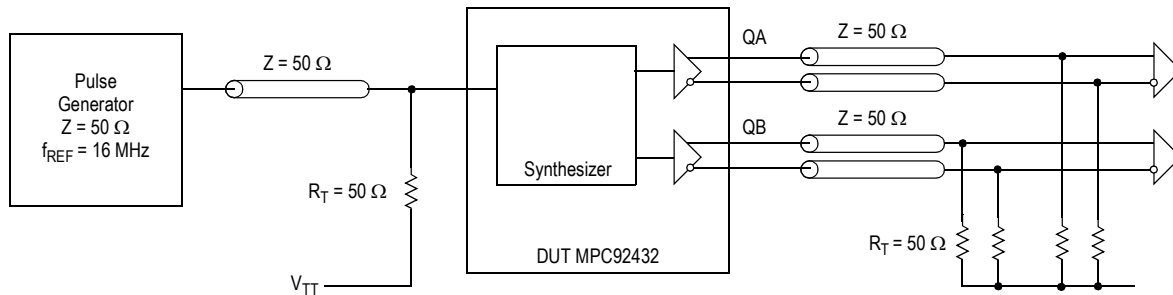


Figure 10. MPC92432 AC Test Reference



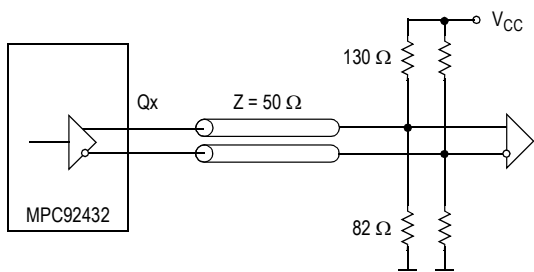


Figure 11. Thevenin Termination

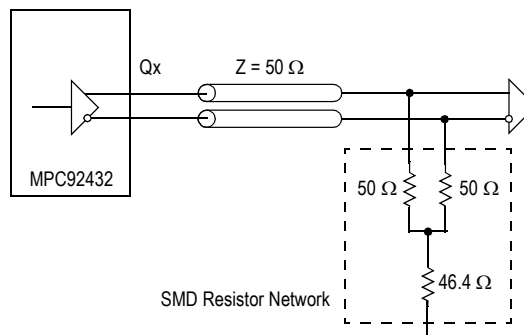


Figure 12. Resistor Network Termination

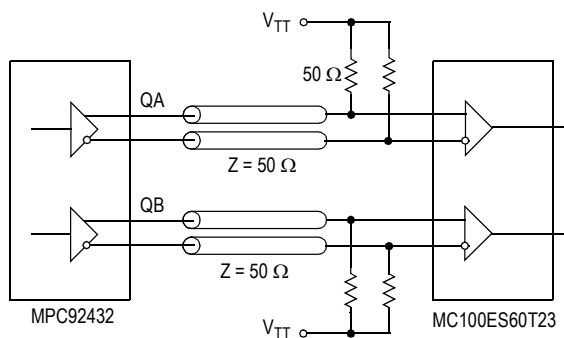
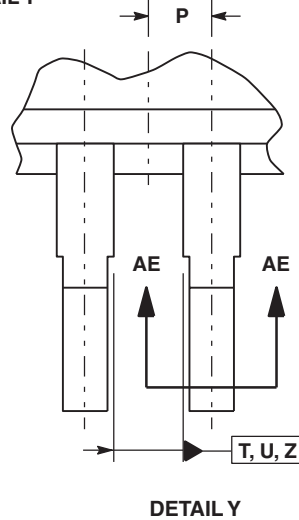
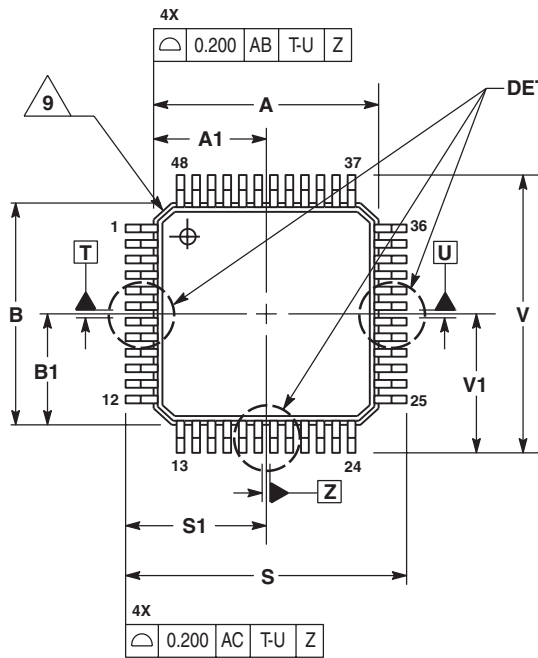


Figure 13. Interfacing with LVCMOS Logic for Frequency < 180 MHz

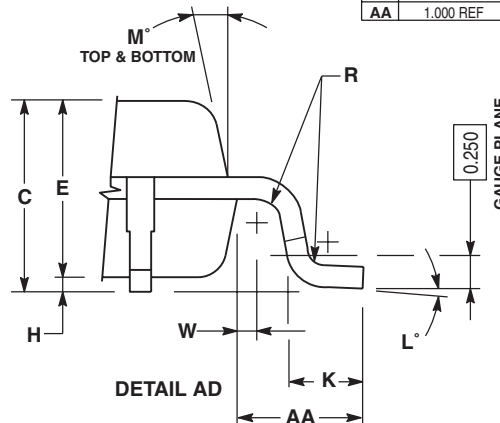
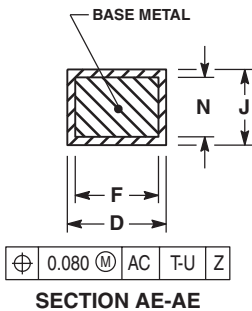
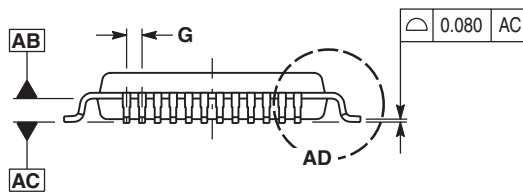
PACKAGE DIMENSIONS



NOTES:

1. DIMENSIONING AND TOLERANCING PER ASME Y14.5m, 1994.
2. CONTROLLING DIMENSION: MILLIMETER.
3. DATUM PLAN AB IS LOCATED AT BOTTOM OF LEAD AND IS COINCIDENT WITH THE LEAD WHERE THE LEAD EXITS THE PLASTIC BODY AT THE BOTTOM OF THE PARTING LINE.
4. DATUMS T, U, AND Z TO BE DETERMINED AT DATUM PLANE AB.
5. DIMENSIONS S AND V TO BE DETERMINED AT SEATING PLANE AC.
6. DIMENSIONS A AND B DO NOT INCLUDE MOLD PROTRUSION. ALLOWABLE PROTRUSION IS 0.250 PER SIDE. DIMENSIONS A AND B DO INCLUDE MOLD MISMATCH AND ARE DETERMINED AT DATUM PLANE AB.
7. DIMENSION D DOES NOT INCLUDE DAMBAR PROTRUSION. DAMBAR PROTRUSION SHALL NOT CAUSE THE D DIMENSION TO EXCEED 0.350.
8. MINIMUM SOLDER PLATE THICKNESS SHALL BE 0.0075.
9. EXACT SHAPE OF EACH CORNER IS OPTIONAL.

MILLIMETERS		
DIM	MIN	MAX
A	7.000	BSC
A1	3.500	BSC
B	7.000	BSC
B1	3.500	BSC
C	1.400	1.600
D	0.170	0.270
E	1.350	1.450
F	0.170	0.230
G	0.500	BSC
H	0.050	0.150
J	0.090	0.200
K	0.500	0.700
L	0°	7°
M	12°	REF
N	0.090	0.160
P	0.250	BSC
R	0.150	0.250
S	9.000	BSC
S1	4.500	BSC
V	9.000	BSC
V1	4.500	BSC
W	0.200	REF
AA	1.000	REF



CASE 932-03  
 ISSUE F  
 48-LEAD LQFP PACKAGE

Innovate with IDT and accelerate your future networks. Contact:

**www.IDT.com**

**For Sales**

800-345-7015  
408-284-8200  
Fax: 408-284-2775

**For Tech Support**

netcom@idt.com  
480-763-2056

---

**Corporate Headquarters**

Integrated Device Technology, Inc.  
6024 Silver Creek Valley Road  
San Jose, CA 95138  
United States  
800 345 7015  
+408 284 8200 (outside U.S.)

**Asia Pacific and Japan**

Integrated Device Technology  
Singapore (1997) Pte. Ltd.  
Reg. No. 199707558G  
435 Orchard Road  
#20-03 Wisma Atria  
Singapore 238877  
+65 6 887 5505

**Europe**

IDT Europe, Limited  
Prime House  
Barnett Wood Lane  
Leatherhead, Surrey  
United Kingdom KT22 7DE  
+44 1372 363 339