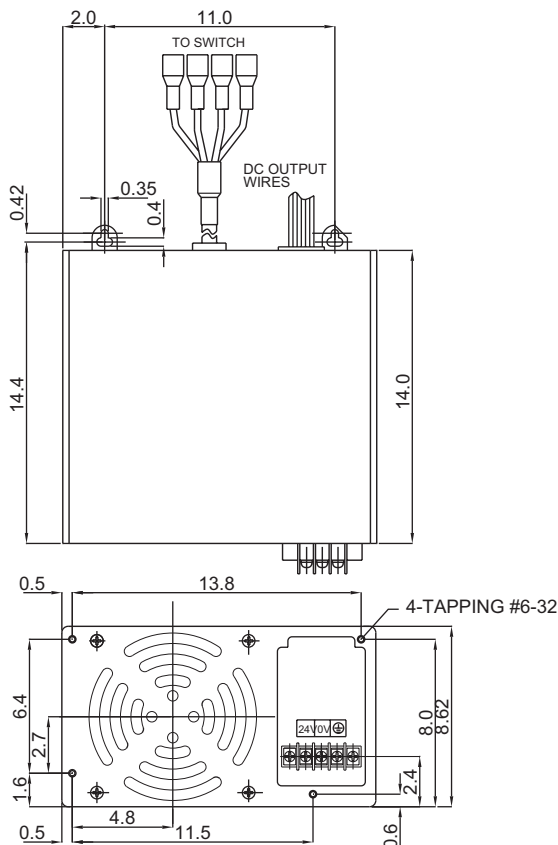


# Power Supply

## MPD-425V

250W DC-DC Power Supply  
Input Range: 40~57VDC



### ★ Specifications

- \* **Input Voltage:** 40~57VDC
- \* **Input Current:** Max. 8A at 48VDC
- \* **Inrush Current:** Does not exceed 10A at 48VDC input, cold start at 25°C
- \* **Ripple and Noise:** < +/-1% peak to peak ripple and noise for each output
- \* **Line Regulation:** < +/-1% at rated load with +/-10% change in input voltage
- \* **Load Regulation:** +/-4% for +5V, +/-5% for +12V, +/-3% for -12V and -5V
- \* **Power Good Signal:** Goes high 100~500ms after all DC output are ready
- \* **Power Failure:** Goes low 1ms before any DC output falls
- \* **Efficiency:** 70% typical at nominal line and rated load
- \* **Altitude:** 10,000 feet
- \* **Protection:**  
 Input: Protection against wrong polarity if 48VDC input is inversely connected by mistake  
 Output: Built-in over voltage protection. Trip point of crowbar circuit is between 5.9~7.0V. Hiccup mode against short circuit or over load conditions auto recovery when faulty conditions are removed
- \* **Temperature:** 0~50°C (operating); -40~+75°C (storage)
- \* **Humidity:** 5~95%; non-condensing at 40°C (operating)
- \* **Connectors:**  
 Input: Three positions terminal block  
 DC Output: Output provides one AT type P8/P9 and two disk drive connector  
 To Switch: Female disconnects for tab size 0.250" x 0.032"
- \* **Dimensions:** 14.0 x 15.0 x 8.62 cm with +/-0.8mm and +/-0.4mm tolerance between mounting holes
- \* **MTBF:** 178,042 hrs.

Pin	Input	Pin	Output
1	48VDC	Red	+5V
2	0V	Yellow	+12V
3	GND	Brown	-12V
		Blue	-5V
		Black	GND
		White	P.G.

Output	Min. Load	Rated Load	Max. Load	Tolerance
+5V	1A	25A	30A	+/-0.1V
+12V	0A	10A	12A	+/-0.72V
-12V	0A	1A	2A	+/-0.6V
-5V	0A	1A	2A	+/-0.25V

### Safety Standards

- \* **Safety:** UL 1950, CSA 22.2 No.234, VDE EN 60 950
- \* **EMI:** FCC Class B, EN55022B
- \* **EMS:** Level 3 of IEC-801, 802

The Industrial PC Authority



### BOSER Technology Co., Ltd.

15F-6, No. 77, Hsin Tai Wu Road, Sec. 1, Hsichih, Taipei Hsien 221 Taiwan TEL : 886-2-26983333 FAX : 886-2-26983300  
<http://www.boser.com.tw> <http://www.isb.com.tw> <http://www.ipc.com.tw> E-Mail: [webmaster@boser.com.tw](mailto:webmaster@boser.com.tw)

<b>U.S.A.</b> TEL : +1 650 4280868 FAX : +1 650 4281172	<b>U.K.</b> TEL : +44 1543 466552 FAX : +44 1543 466553	<b>KOREA</b> TEL : +82 2 34737862 FAX : +82 2 34743120	<b>FRANCE</b> TEL : +33 1 69061790 FAX : +33 1 69433732	<b>SHANGHAI</b> TEL : 021 63676295~7 FAX : 021 63676286
<b>GERMANY</b> TEL : +49 221 954790 FAX : +49 221 9547988	<b>ITALY</b> TEL : +39 051 452042 FAX : +39 051 455046	<b>ISRAEL</b> TEL : +972 3 9203456 FAX : +972 3 9203535	<b>FINLAND</b> TEL : +358 2 6203753 FAX : +358 2 6203770	