

MPQ3906

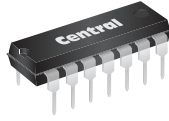
PNP SILICON QUAD TRANSISTOR



www.centrasemi.com

DESCRIPTION:

The CENTRAL SEMICONDUCTOR MPQ3906 type is comprised of four independent PNP silicon transistors mounted in a 14-pin DIP, designed for general purpose amplifier and switching applications.



TO-116 CASE

MARKING: FULL PART NUMBER

MAXIMUM RATINGS: (TA=25°C)

Collector-Base Voltage
Collector-Emitter Voltage
Emitter-Base Voltage
Continuous Collector Current
Power Dissipation (per transistor)
Power Dissipation (total package)
Operating and Storage Junction Temperature

SYMBOL		UNITS
V _{CBO}	40	V
V _{CEO}	40	V
V _{EBO}	5.0	V
I _C	200	mA
P _D	500	mW
P _D	2.0	W
T _J , T _{stg}	-65 to +150	°C

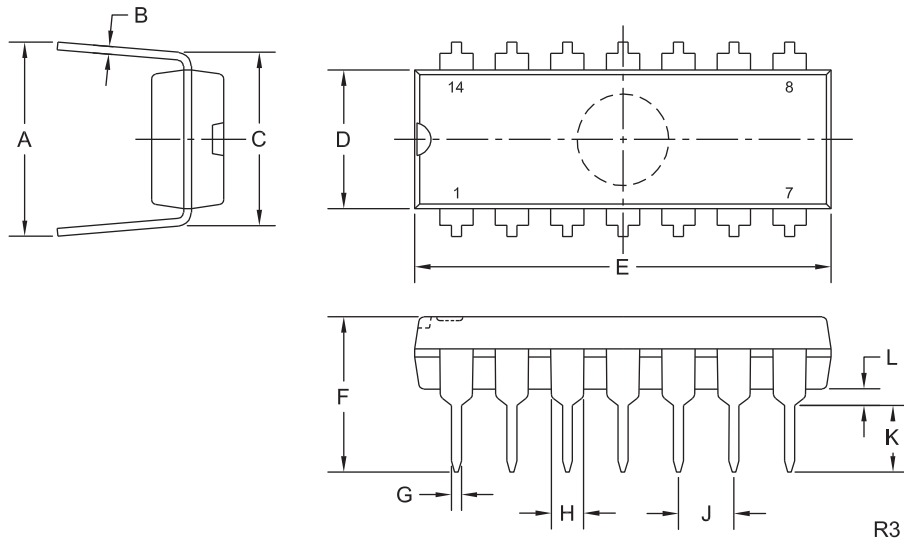
ELECTRICAL CHARACTERISTICS PER TRANSISTOR: (TA=25°C)

SYMBOL	TEST CONDITIONS	MIN	TYP	MAX	UNITS
I _{CBO}	V _{CB} =30V			50	nA
I _{EBO}	V _{EB} =4.0V			50	nA
BV _{CBO}	I _C =10µA	40			V
BV _{CEO}	I _C =1.0mA	40			V
BV _{EBO}	I _E =10µA	5.0			V
V _{CE(SAT)}	I _C =10mA, I _B =1.0mA			0.25	V
V _{BE(SAT)}	I _C =10mA, I _B =1.0mA			0.85	V
h _{FE}	V _{CE} =1.0V, I _C =0.1mA	40			
h _{FE}	V _{CE} =1.0V, I _C =1.0mA	60			
h _{FE}	V _{CE} =1.0V, I _C =10mA	75			
f _T	V _{CE} =20V, I _C =10mA, f=100MHz	200			MHz
C _{ob}	V _{CB} =5.0V, I _E =0, f=140kHz			4.5	pF
C _{ib}	V _{BE} =0.5V, I _C =0, f=140kHz			10	pF
t _{on}	V _{BE} =0.5V, I _C =10mA, I _{B1} =1.0mA		43		ns
t _{off}	I _C =10mA, I _{B1} =I _{B2} =1.0mA		155		ns

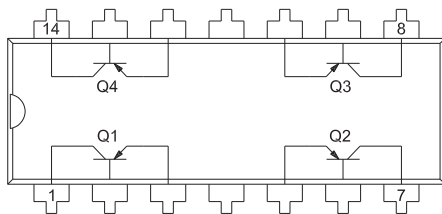
MPQ3906
PNP SILICON QUAD TRANSISTOR



TO-116 CASE - MECHANICAL OUTLINE



PIN CONFIGURATION



LEAD CODE:

- | | |
|------------------|-------------------|
| 1) Collector Q1 | 8) Collector Q3 |
| 2) Base Q1 | 9) Base Q3 |
| 3) Emitter Q1 | 10) Emitter Q3 |
| 4) No Connection | 11) No Connection |
| 5) Emitter Q2 | 12) Emitter Q4 |
| 6) Base Q2 | 13) Base Q4 |
| 7) Collector Q2 | 14) Collector Q4 |

MARKING: FULL PART NUMBER

SYMBOL	DIMENSIONS		DIMENSIONS	
	INCHES		MILLIMETERS	
	MIN	MAX	MIN	MAX
A	0.310	0.390	7.9	9.9
B	0.008	0.014	0.2	0.4
C	0.310		7.9	
D	0.240	0.260	6.1	6.6
E	0.740	0.760	18.8	19.3
F	-	0.300	-	7.6
G	0.014	0.022	0.4	0.6
H	0.050		1.3	
J	0.100		2.5	
K	0.125	0.150	3.2	3.8
L	0.015	-	0.4	-

TO-116 (REV: R3)

R1 (4-December 2012)

OUTSTANDING SUPPORT AND SUPERIOR SERVICES



PRODUCT SUPPORT

Central's operations team provides the highest level of support to insure product is delivered on-time.

- Supply management (Customer portals)
- Inventory bonding
- Consolidated shipping options
- Custom bar coding for shipments
- Custom product packing

DESIGNER SUPPORT/SERVICES

Central's applications engineering team is ready to discuss your design challenges. Just ask.

- Free quick ship samples (2nd day air)
- Online technical data and parametric search
- SPICE models
- Custom electrical curves
- Environmental regulation compliance
- Customer specific screening
- Up-screening capabilities
- Special wafer diffusions
- PbSn plating options
- Package details
- Application notes
- Application and design sample kits
- Custom product and package development

CONTACT US

Corporate Headquarters & Customer Support Team

Central Semiconductor Corp.
145 Adams Avenue
Hauppauge, NY 11788 USA
Main Tel: (631) 435-1110
Main Fax: (631) 435-1824
Support Team Fax: (631) 435-3388
www.centalsemi.com

Worldwide Field Representatives:
www.centalsemi.com/wwreps

Worldwide Distributors:
www.centalsemi.com/wwdistributors

For the latest version of Central Semiconductor's **LIMITATIONS AND DAMAGES DISCLAIMER**, which is part of Central's Standard Terms and Conditions of sale, visit: www.centalsemi.com/terms