

# pressure transmitters for sanitary applications – tri-clamp (ISO-DIN)

Accuracy 0,5% ,0,2% optional

## MPS510 Series



### Description

MPS510 series pressure transmitters are suitable for liquids, dirty fluids pressure measuring and controlling in the moderate and high viscous media, with sensor probe working very well with long term stability at the high temperature of 125°C

The measuring ranges, graded in accordance with EN, range from -1 bar to the maximum pressure range of 400 bar. The case and wetted parts comprise stainless steel and are thus resistant to chemically aggressive media. The pressure connection and measuring element are welded together, making the measuring system particularly resistant to mechanical shock or vibration.

### Features

- Compact design
- Protection type IP 65 or IP67 as optional
- Corrosion resistant stainless steel design
- High viscosity resistance
- Wide Measuring Range
- Simple Installation
- Flush Diaphragm
- Various Output Signal

### Measuring Ranges

Code	Range	Code	Range	Code	Range
001	0...25 mBar	010	0...1,6 Bar	019	0...100 Bar
002	0...40 mBar	011	0...2,5 Bar	020	0...160 Bar
003	0...60 mBar	012	0...4 Bar	021	0...250 Bar
004	0...100 mBar	013	0...6 Bar	022	0...400 Bar
005	0...160 mBar	014	0...10 Bar	XXX	Special Ranges
006	0...250 mBar	015	0...16 Bar		
007	0...400 mBar	016	0...25 Bar		
008	0...600 mBar	017	0...40 Bar		
009	0...1 Bar	018	0...60 Bar		

# MPS510 Series

## Technical Specification

### Accuracy

MPS510 :  $\pm 0.5\%$  FS

MPS512 :  $\pm 0.2\%$  FS

### Overpressure

Full scale ranges up to 16 bar – 2,5x

Above 16 to 400 bar - 2x

### Wetted Parts

AISI316

### Operating Temperature Range

-40° to +125° C

### Compensated Temperature Range

0° to +80° C

### Electrical

2-wire, 4-20 mA, 10-36 Vdc power

Option : 0-5 VDC or 0-10 VDC\*

\*Supply should be 14 VDC min.

### Body

Stainless Steel AISI 304

Other, on request

### Electrical Connection

DIN 43650A or cable connection

### Protection Degree

IP65, IP67 as optional

### Process Connection

ISO 1 1/2", 2" DIN DN40, DN50 (ISO2852)

### Hysteresis, Repeatability

0,05% of FS

### Stability

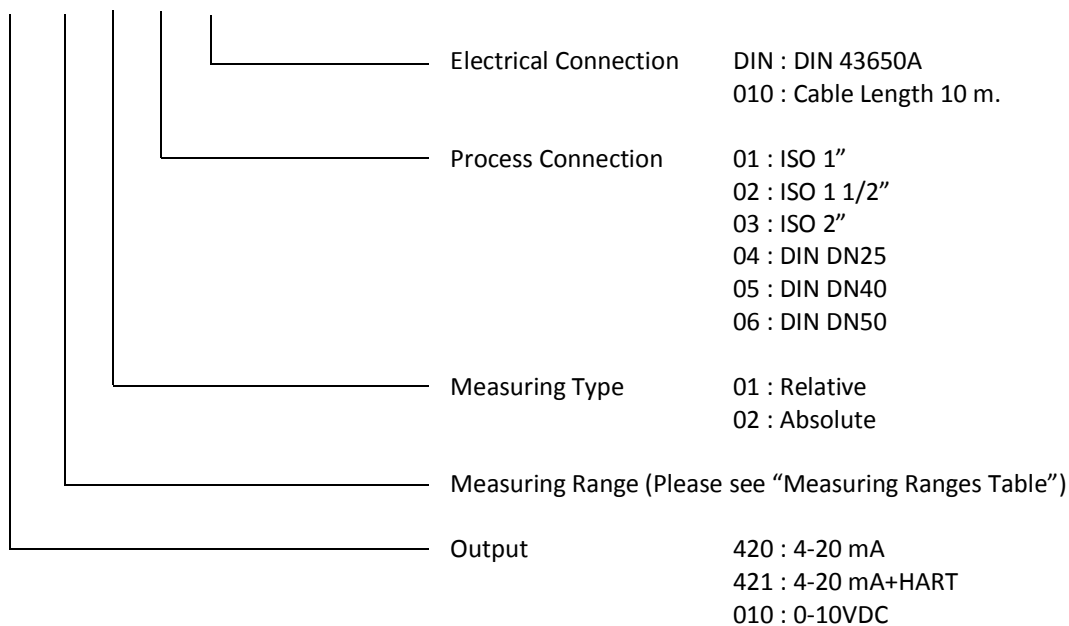
0,15% of FS/year

### Zero Balance

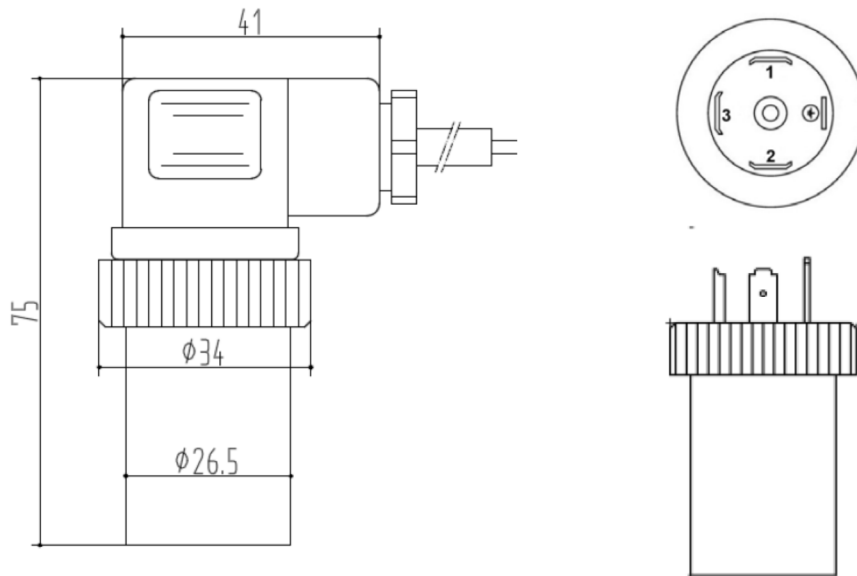
+/- 5 % full scale

## Ordering

MPS510 . XXX . XXX . XX . XX . XXX



## Wiring and Dimensions



<b>2 wire</b>	Pin 1	+Excitation
	Pin 2	+output
	Pin 3	pending
<b>3 wire</b>	Pin 1	+Excitation
	Pin 2	-Excitation
	Pin 3	+Output