

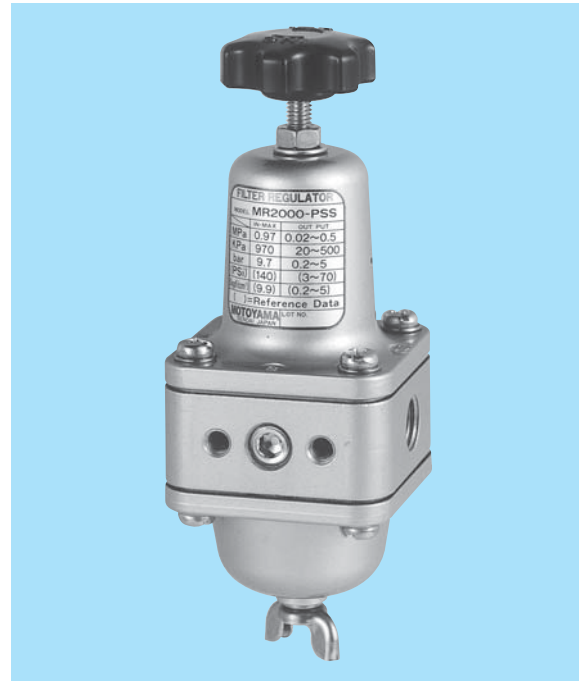
MOTOYAMA

General Specifications

MR2000 Air Filter Regulator

Features

- ① **Compact size/Light weight**
☆ Weight is decreased by 50% (compared to our previous model)
- ② **Flow rate/Pressure characteristics similar to large sized filter regulator**
☆ Provide performance equivalent to our previous model
- ③ **Standard 3 μ m filter**
☆ Upgraded from previous specification of 5 μ m
- ④ **Wide ambient temperature range**
☆ Standard : -30 $^{\circ}$ C ~ +80 $^{\circ}$ C
- ⑤ **Excellent Weather Proof**
☆ External screws & Drain cock : Stainless Steel
☆ Diaphragm rubber : CR (polychloroprene rubber)



Standard Specification

Supply Air Pressure	MAX 980kPaG (10kgf/cm ² G)
Output Flow Rate	≥400 ℓ /min*1
Air Consumption	≤0.5 ℓ /min*2
Ambient Temperature	-30 $^{\circ}$ C ~ +80 $^{\circ}$ C
Set Pressure	20~500kPaG (0.2~5.0kgf/cm ² G)
Filtering Accuracy	3 μ m

*1 : at Supply pressure 700kPaG (7kgf/cm²G)*2 : at Output pressure 140kPaG (1.4kgf/cm²G)

Connection	Rc 1/4 (Pressure gauge connection Rc1/8)
Weight	360g
Painting : (Paint color)	Acrylic resin enamel Munsell 2.5PB5/8: (Blue)
Body Material	Aluminium alloy
Filter Material	PVF resin

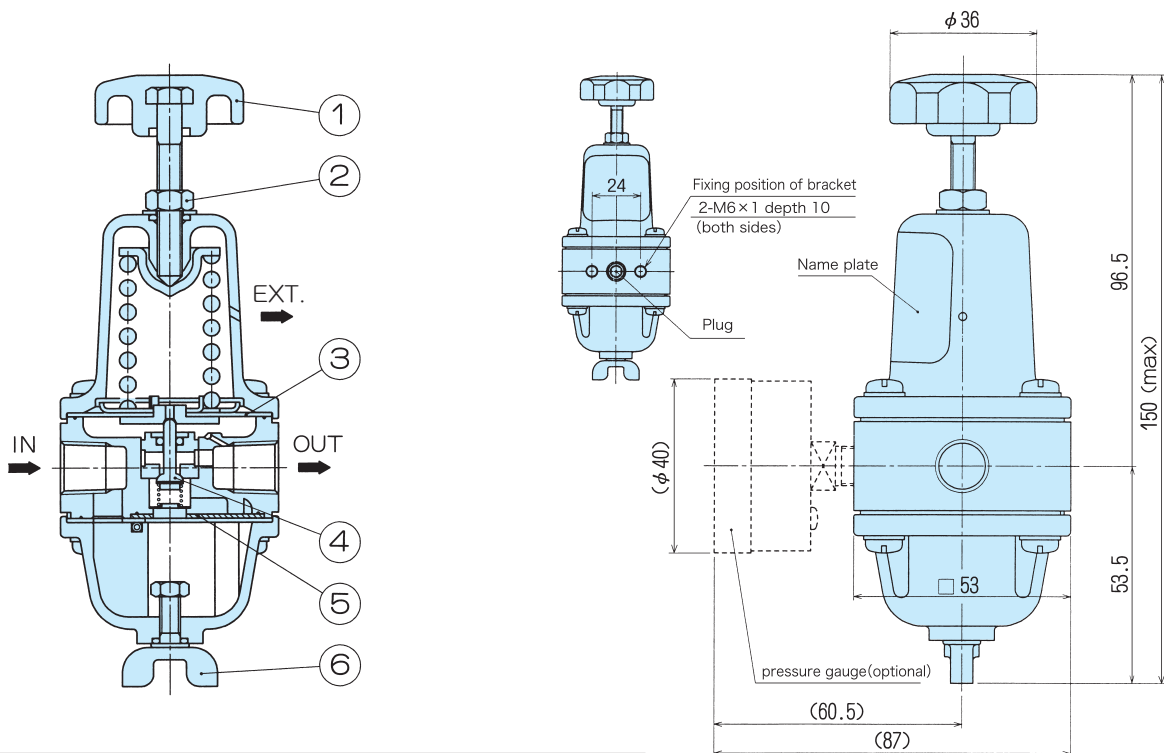
Option

The following optional specification is available on request.

Connecting Screw	NPT
Low Temperature Spec	-40 $^{\circ}$ C ~ 60 $^{\circ}$ C
High Temperature Spec	-10 $^{\circ}$ C ~ 100 $^{\circ}$ C
Filter Material	Stainless steel 3 μ m

Painting	Corrosion-Proof
Protection	Dust-Proof elbow
Pressure gauge	MPa (standard)

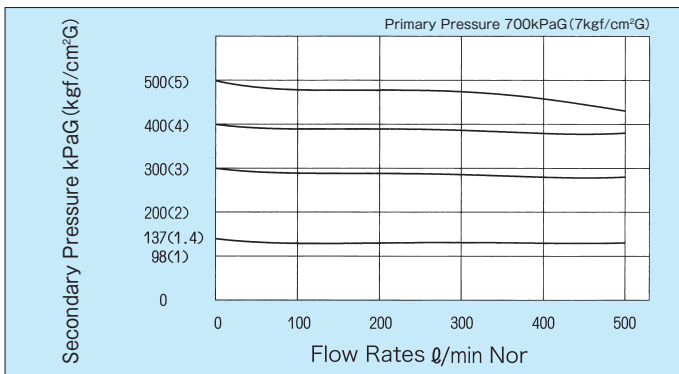
Construction/Dimensions



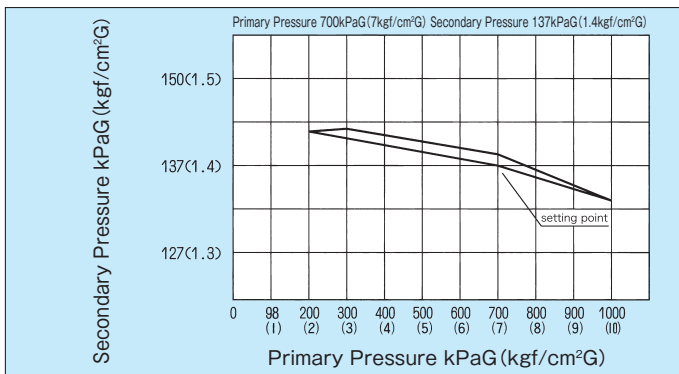
① Pressure regulating handle (ABS resin)	④ Main valve (stainless steel)
② Locking nut (stainless steel)	⑤ Filter (PVF resin)
③ Diaphragm (CR)	⑥ Drain cock (stainless steel)

☆Rc 1/8 includes plugs at two positions as standard.
 ☆Option: Pressure gauge and bracket can be mounted on either side.

Flow Characteristics



Pressure Characteristics



This catalog is supplied for information purpose only and should not be considered certified marketability and conformability of this product.

□MOTOYAMA is continuously improving and upgrading its product design, the specifications and/or dimensions, Information included herein is subject to change without notice.

A KURIMOTO, LTD. Company

MOTOYAMA ENG. WORKS, LTD.

■ Head Office and Factory
 5-2, Ohira Aza Kameoka, Ohira-mura, Kurokawa-gun, Miyagi-ken, 981-3697 Japan TEL : + 81-22-344-4546 FAX : + 81-22-208-5020

■ Overseas Marketing & Sales Dept
 5-2, Ohira Aza Kameoka, Ohira-mura, Kurokawa-gun, Miyagi-ken, 981-3697 Japan TEL : + 81-22-344-4546 FAX : + 81-22-208-5020

MR
2000