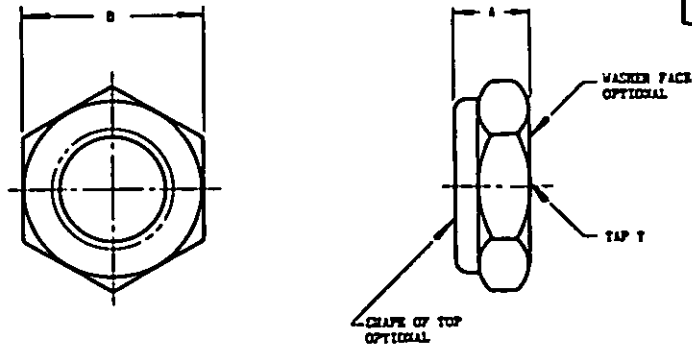


FED. SUP CLASS
S110



FINE THREAD

STEEL	DASH NUMBER		TAP T	(a)	
	COPPER BASE ALLOY	ALUMINUM ALLOY		A .016	B .002 -.010
-1012(b)	D1012	D1012	NO. 10-32 UNF-3B	.172	.375
-1221(b)	D1221	D1221	1/4-20 UNF-3B	.201	.411
-1274(b)	D1274	D1274	5/16-24 UNF-3B	.250	.510
-1624(b)	D1624	D1624	1/8-28 UNF-3B	.246	.563
-1720	D1720	D1720	7/16-20 UNF-3B	.312	.625
-1820	D1820	D1820	1/2-20 UNF-3B	.312	.750
-1918	D1918	D1918	9/16-18 UNF-3B	.352	.875
-1018	D1018	D1018	5/8-18 UNF-3B	.391	.938
-1216	D1216	D1216	3/4-16 UNF-3B	.406	1.063
-1414	D1414	D1414	7/8-14 UNF-3B	.469	1.250
-1614	D1614	D1614	1-14 UNF-3B	.563	1.438
-1812	D1812	D1812	1-1/8-12 UNF-3B	.656	1.625
-2012	D2012	D2012	1-1/4-12 UNF-3B	.750	1.875

COARSE THREAD

-632(b)	D632	D632	NO. 6-32 UNF-7B	.125	.312
-832(b)	D832	D832	NO. 8-32 UNF-7B	.172	.354

(a) DIMENSION A NOT SPECIFIED. DERIVED ONLY BY DIRECT MEASUREMENT OF SPECIFICATION.
 (b) INACTIVE FOR DESIGN AFTER 29 JUNE 1962. USE MS21042.
 INTERCHANGEABILITY RELATIONSHIP: MS21042 NUTS CAN UNIVERSALLY REPLACE MS20364 NON-CORROSION RESISTANT STEEL NUTS OF LIKE THREAD SIZE AND WHICH ARE EITHER ALL METAL OR HAVE 57% METALLIC INCIDENTS; BUT THE INACTIVATED MS20364 NUTS CANNOT ALWAYS REPLACE THE SUPERSEDED MS21042 NUTS.

A AND A AFTER DASH NUMBER FOR NUTS HAVING NONMETALLIC INCIDENTS.
 A AND C AFTER DASH NUMBER FOR NUTS FABRICATED ENTIRELY FROM METAL.

EXAMPLES OF PART NUMBERS: MS20364-128 = 1/4-28 STEEL NUT, EITHER ALL METAL OR WITH NONMETALLIC INCIDENT.
 MS20364-128C = 1/4-28 ALUMINUM-ALLOY NUT, EITHER ALL METAL OR WITH NONMETALLIC INCIDENT.
 MS20364-128A = 1/4-28 COPPER-BASE-ALLOY NUT WITH NONMETALLIC INCIDENT.
 MS20364-128BC = 1/4-28 STEEL NUT, ALL METAL.

DISCREPANCIES IN INDEXED.

INACTIVE FOR DESIGN AFTER 22 JULY 1969. USE MS21042, MS21083 OR MS21245.

CANCELED AFTER 22 JULY 1969. USE MS21042, MS21083 OR MS21245. SEE INTERCHANGEABILITY TABLES ON THESE STANDARDS FOR SUBSTITUTIVE PARTS.

Dear activities army-AT, AL

Review activities army-AT, AL
 MS20364
 MS20364
 MS20364

This edition is approved by the Department of Defense and is mandatory on all activities. Substitutes for all new engineering and design applications and for reprints are shall be made from this document.

APPROVED 3 Jan 57 REVISED 4 15 Apr 57 B 5 29 58 C 22 Jul 69

P.A. Navy - AJ	TITLE	MILITARY STANDARD
Other Code USAF - 02 Army - AT		
PROCUREMENT SPECIFICATION AN-8-5	SUPERSEDES 18 MS	MS20364
		SHEET 1 OF 1