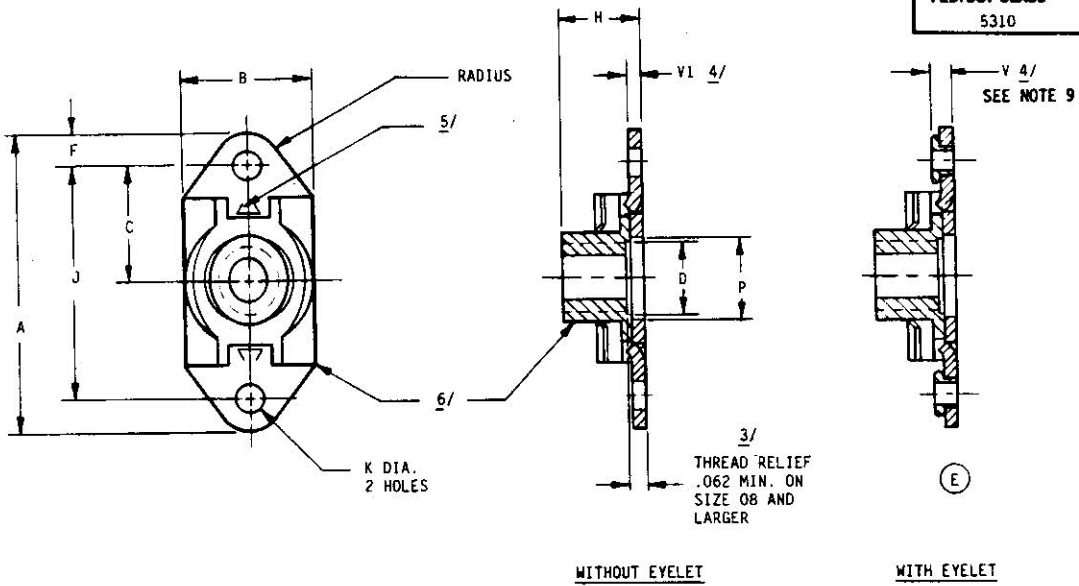


S

USER SYMBOLS:
ARMY - RI - ER
NAVY - OS

REVIEWER SYMBOLS:
ARMY - AR
AF - 99
NAVY - SH
DISC - IS



FED. SUP CLASS
5310

(E) TABLE I. DASH NUMBERS AND DIMENSIONS.

DASH NO.	1/ THREAD SIZE	A MAX	B		C +.005	D DIA	F MIN	2/ H MAX	J +.002	K +.005 -.000	3/ P DIA	
			MAX	MIN							MAX	MIN
-04	.1120-40UNJC-3B	.651	.315	.275	.203	--	.070	.153	.406	.098	.270	.152
-06	.1380-32UNJC-3B	.682	.357	.290	.218	--	.070	.171	.437	.098	.270	.178
-08	.1640-32UNJC-3B	.707	.367	.290	.234	.168	.100	.250	.468	.098	.270	.204
-3	.1900-32UNJF-3B	.739	.416	.290	.250	.194	.100	.250	.500	.098	.270	.230
-4	.2500-28UNJF-3B	.801	.500	.350	.281	.254	.100	.281	.562	.098	.330	.290
-5	.3125-24UNJF-3B	1.010	.581	.412	.359	.317	.117	.328	.718	.130	.392	.352

DASH NO	V 4/		V1 4/		AXIAL STRENGTH LBS. MIN	WEIGHT LBS/100 MAX
	MAX	MIN	MAX	MIN		
-04	.140	.075	.090	.015	750	.25
-06	.140	.075	.090	.020	1130	.32
-08	.140	.075	.090	.025	1720	.36
-3	.140	.075	.090	.025	2460	.39
-4	.140	.085	.090	.027	4580	.69
-5	.160	.095	.105	.032	7390	1.10

- 1/ THREADS BEFORE LUBRICATION PER MIL-S-8879.
- 2/ MINIMUM "H" NOT SPECIFIED, LIMITED ONLY BY STRENGTH REQUIREMENTS.
- 3/ DASH NO. 06 AND SMALLER MAY BE COUNTERSUNK OR RADIUSED WITHIN "P" DIAMETER.
- 4/ "V" DIMENSION RANGE APPLIES TO "EYELET" CONFIGURATION.
- 5/ "V1" DIMENSION RANGE APPLIES TO "WITHOUT EYELET" CONFIGURATION.
- 6/ MANUFACTURER'S IDENTIFICATION PER MIL-C-1291A, LOCATION OPTIONAL.

(E) DENOTES CHANGES

"Review/ user information is current as of the date of this document.
 For future consideration of changes to this document, a re-circulation
 should be based on the information in the current DODDSB."

DISTRIBUTION STATEMENT A: APPROVED FOR PUBLIC RELEASE. DISTRIBUTION IS UNLIMITED.
 This military standard is approved for use by all Departments &
 Agencies of the Department of Defense. Selection for all new
 engineering and design applications and for repetitive use shall be
 made from this document.

AMSC N/A

P.A. NAVY - AS Other Cust AF - 11 ARMY - AV	TITLE	MILITARY STANDARD MS21076
	NUT, SELF-LOCKING, PLATE, TWO LUG, FLOATING, REDUCED RIVET SPACING, LOW HEIGHT, CRES, 125 KSI F _{tu} , 450°F AND 800°F	
PROCUREMENT SPECIFICATION MIL-N-25027	SUPERSEDES: NAS 1068 (SEE STATUS NOTE)	SHEET 1 OF 2

APPROVED 6 APR 64 REVISED (E) 23 NOV 87

USER SYMBOLS:
ARMY - MI, ER
NAVY - OS

REVIEWER SYMBOLS:
ARMY - AR
AF - 99
NAVY - SH
DISC - IS

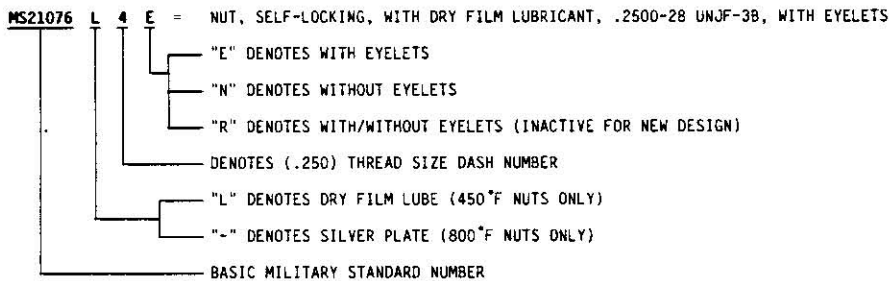
REQUIREMENTS:

- (E) 1. MATERIAL: STEEL, CORROSION-RESISTANT, TYPE A286 (UNS S66286) PER AMS 5525, AMS 5735 OR AMS 5737.
- 2. PLATING: 800°F NUTS ONLY: SILVER PLATE ALL THREADED SURFACES ON PLATENUT PER AMS 2410. THREADS SHALL SHOW COMPLETE COVERAGE. SILVER PLATING ON ALL OTHER SURFACES OPTIONAL. TARNISHING OR DISCOLORATION OF SILVER NOT CAUSE FOR REJECTION.
- 3. MAGNETIC PERMEABILITY: SHALL BE LESS THAN 2.0 (AIR = 1.0) FOR A FIELD STRENGTH H = 200 OERSTEDS USING A MAGNETIC PERMEABILITY INDICATOR PER MIL-I-17214, OR EQUIVALENT.
- (E) 4. HARDNESS: 49 HRC MAX.
- 5. LUBRICANT: 450°F NUTS ONLY: DRY FILM LUBRICANT APPROVED IN ACCORDANCE WITH MIL-N-25027. OTHER LUBRICANTS SOLUBLE IN THE CLEANER SPECIFIED IN MIL-S-7502.
- (E) 6. HORIZONTAL FLOAT OF NUT ELEMENT SHALL BE NOT LESS THAN 0.020 INCH RADIALLY FROM CENTERED POSITION IN THE PLANE NORMAL TO THE THREAD AXIS. VERTICAL FLOAT OF NUT ELEMENT SHALL BE NOT GREATER THAN 0.020 INCH FOR SIZES 0.1120-40 THRU 0.1900-32 AND 0.027 FOR SIZES 0.2500-28 AND 0.3125-24. NUT ELEMENT SHALL BE CAPABLE OF ENGAGEMENT WITH BOLT IN MAXIMUM MISALIGNED POSITION.

NOTES:

- 1. DIMENSIONS IN INCHES.
- (E) 2. SURFACE TEXTURE: IN ACCORDANCE WITH ANSI B46.1. UNLESS OTHERWISE SPECIFIED, THE SURFACE ROUGHNESS SHALL NOT EXCEED 125 MICRO INCHES.
- (E) 3. PERFORMANCE: SEE PROCUREMENT SPECIFICATION, EXCEPT 450°F DRY FILM LUBRICATED NUTS LIMITED TO FIVE REUSE CYCLES.
- 4. DESIGN AND USAGE LIMITATIONS: THESE NUTS ARE DESIGNED TO DEVELOP THE TENSILE STRENGTH OF BOLTS AND SCREWS WITH AN ULTIMATE TENSILE STRENGTH OF 125 KSI BASED ON THE CROSS SECTIONAL AREA AT THE BASIC ROOT DIAMETER OF THE THREAD. THESE NUTS ARE DESIGNED TO BE USED ON 3A EXTERNAL THREADS. THESE NUTS SHALL BE USED IN ACCORDANCE WITH THE LIMITATIONS OF MS33588. ONLY NUTS FOR WHICH THERE ARE QUALIFIED PRODUCTS LISTED ON QPL 25027 SHALL BE USED.
- (E) 5. INTERCHANGEABILITY RELATIONSHIP: MS21076 NUTS CAN UNIVERSALLY REPLACE NAS 1068 NUTS OF LIKE MATERIAL, THREAD SIZE, LUBRICANTS (DRY FILM OR SILVER PLATE), AND RIVET SPACING; BUT NAS 1068 NUTS, CANNOT UNIVERSALLY REPLACE MS21076 NUTS.

- (E) 6. PART NUMBER:



- (E) 7. IN THE EVENT OF A CONFLICT BETWEEN THE TEXT OF THIS STANDARD AND THE REFERENCES CITED HEREIN, THE TEXT OF THIS STANDARD SHALL TAKE PRECEDENCE.
- (E) 8. REFERENCED GOVERNMENT (OR NON-GOVERNMENT) DOCUMENTS OF THE ISSUE LISTED IN THAT ISSUE OF THE DEPARTMENT OF DEFENSE INDEX OF SPECIFICATIONS AND STANDARDS (DoDISS) SPECIFIED IN THE SOLICITATION FORM A PART OF THIS STANDARD TO THE EXTENT SPECIFIED HEREIN.
- (E) 9. WHEN ATTACHING EYELET CONFIGURATION NUTS WITH BLIND FASTENERS, SUBTRACT 1/32 INCH FROM THE STACK UP OF MATERIAL AND NUT PLATE TO CALCULATE CORRECT GRIP LENGTH.

"Review/user information is current as of the date of this document. For future coordination of changes to this document, draft circulation should be based on the information in the current DD0188."

DISTRIBUTION STATEMENT A: APPROVED FOR PUBLIC RELEASE. DISTRIBUTION IS UNLIMITED. This military standard is intended for use by all Departments & Agencies of the Department of Defense. Substitution for all new engineering and design applications and for repetitive use shall be made from this document.

AMSC N/A

P.A. NAVY - AS Other Cust AF - 11 ARMY - AV	TITLE	MILITARY STANDARD
	NUT, SELF-LOCKING, PLATE, TWO LUG, FLOATING, REDUCED RIVET SPACING, LOW HEIGHT, CRES, 125 KSI Ft _u , 450°F AND 800°F	MS21076
PROCUREMENT SPECIFICATION MIL-N-25027	SUPERSEDES: NAS 1068 (SEE ATTACHED NOTE)	SHEET 2 OF 2

APPROVED 6 APR 64 REVISED FOR CHANGES SEE SHEETS 1 AND 2