

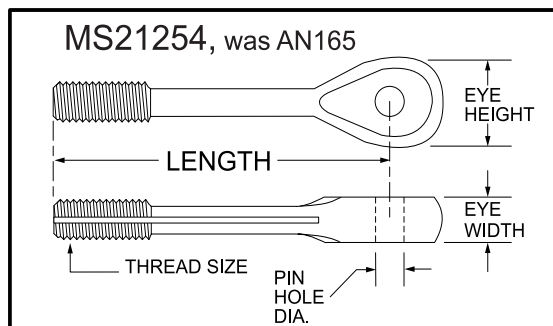
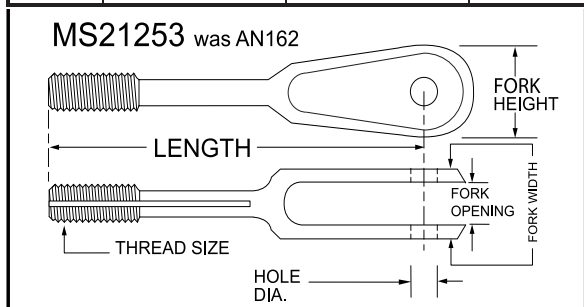
# Genuine Aircraft Hardware Co.

## **MS21253 and MS21254**

**Clevis End for Bearings, Eye End for Pin, Turnbuckle, Clip Locking**

MATERIAL: STEEL, CARBON OR ALLOY

MS21253 Clevis End, Turnbuckle, Clip Locking								
Cable Size	Part Number		Length + or -.031	Matches Bearing Part #	Thread Size	Pin Hole Dia. +.002 -.000	Fork Width +.010 -.005	Fork Opening + or -.005
3/32	MS21253-3RS	MS21253-3LS	2.312	MS27640-3	.1900 (#10) - 32	.190	.500	.312
	MS21253-3RL	MS21253-3LL	3.187					
1/8	MS21253-4RS	MS21253-4LS	2.562	MS27640-4	.2500 (1/4) -28	.250	.750	.500
	MS21253-4RL	MS21253-4LL	3.437					
5/32	MS21253-5RS	MS21253-5LS	2.687	MS27640-4	.3125 (5/16) -24	.250	.750	.500
	MS21253-5RL	MS21253-5LL	3.562					
3/16	MS21253-6RS	MS21253-6LS	2.750	MS27640-5	.3125 (5/16) -24	.313	.813	.563
	MS21253-6RL	MS21253-6LL	3.625					



MS21254 Turnbuckle, Eye End, Threaded, for Pin							
Cable Size	Part Number		Length +.031 -.015	Thread Size	Pin Hole Dia. +.002 -.000	Eye Width + or -.005	Eye Height
	RH Thread	LH Thread					
1/16	MS21254-2RS	MS21254-2LS	1.500	No. 6 - 40	.190	.125	.375
	MS21254-2RL	MS21254-2LL	2.375				
3/32	MS21254-3RS	MS21254-3LS	1.625	No. 10 - 32	.190	.188	.500
	MS21254-3RL	MS21254-3LL	2.500				
5/32	MS21254-5RS	MS21254-5LS	1.750	1/4 - 28	.250	.219	.625
	MS21254-5RL	MS21254-5LL	2.625				
3/16	MS21254-6RS	MS21254-6LS	1.875	5/16 - 24	.313	.281	.688
	MS21254-6RL	MS21254-6LL	2.750				
1/4	MS21254-8RL	MS21254-8LL	2.875	3/8 - 24	.375	.328	.875