

## SPECIFICATIONS

Switch Function	DPDT
Electrical Ratings	200mA @ 30VDC
Electrical Life	10,000 cycles typical
Contact Resistance	< 50 mΩ initial
Actuation Force	250 +/- 100gF
Actuator Travel	3.0 mm total
Dielectric Strength	1000Vrms min
Insulation Resistance	> 100MΩ min
Operating Temperature	-40°C to 85°C
Storage Temperature	-40°C to 85°C



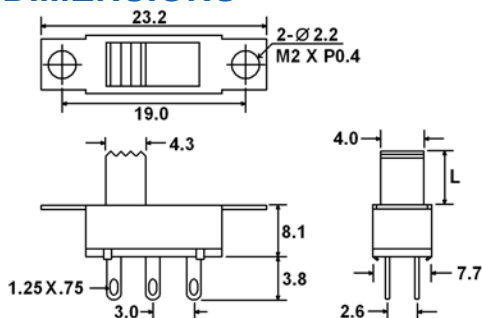
## MATERIALS ←RoHS COMPLIANT

Actuator	Acetal
Housing	Steel
Base	Phenolic
Contacts	Phosphor Bronze, Silver Plated
Terminals	Brass, Silver Plated

## ORDERING INFORMATION

<b>1. Series:</b>	<b>MS2202</b>	<b>L7.5</b>	<b>A</b>
MS2202			
<b>2. Actuator Length:</b>			
L5 = 5mm			
L7.5 = 7.5mm			
L9 = 9mm			
<b>3. Mounting Holes:</b>			
A = Threaded – M2 X P0.4			
B = Non-threaded – 2.2 dia			

## DIMENSIONS



## SCHEMATIC & PC LAYOUT

