

SPECIFICATIONS

| | |
|-----------------------|-----------------------|
| Switch Function | DPDT |
| Electrical Ratings | 200mA @ 30VDC |
| Electrical Life | 10,000 cycles typical |
| Contact Resistance | < 50 mΩ initial |
| Actuation Force | 250 +/- 100gF |
| Actuator Travel | 2.0 mm total |
| Dielectric Strength | 1000Vrms min |
| Insulation Resistance | > 100MΩ min |
| Operating Temperature | -40°C to 85°C |
| Storage Temperature | -40°C to 85°C |



MATERIALS ←RoHS COMPLIANT

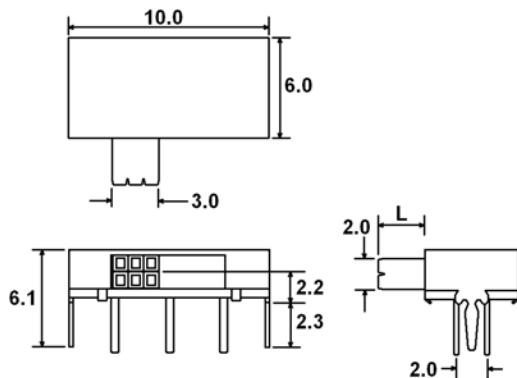
| | |
|-----------|--------------------------------|
| Actuator | Acetal |
| Housing | Steel |
| Base | Phenolic |
| Contacts | Phosphor Bronze, Silver Plated |
| Terminals | Brass, Silver Plated |

ORDERING INFORMATION

| | | |
|----------------------------|---------------|-----------|
| 1. Series: | MS2211 | L4 |
| MS2211 | | |
| 2. Actuator Length: | | |
| L2 = 2mm | | |
| L4 = 4mm | | |

DataSheet4U.com

DIMENSIONS



SCHEMATIC & PC LAYOUT

