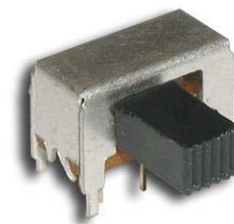


## SPECIFICATIONS

Switch Function	DPDT
Electrical Ratings	200mA @ 30VDC
Electrical Life	10,000 cycles typical
Contact Resistance	< 50 mΩ initial
Actuation Force	200 +/- 100gF
Actuator Travel	2.0 mm total
Dielectric Strength	1000Vrms min
Insulation Resistance	> 100MΩ min
Operating Temperature	-40°C to 85°C
Storage Temperature	-40°C to 85°C



## MATERIALS ←RoHS COMPLIANT

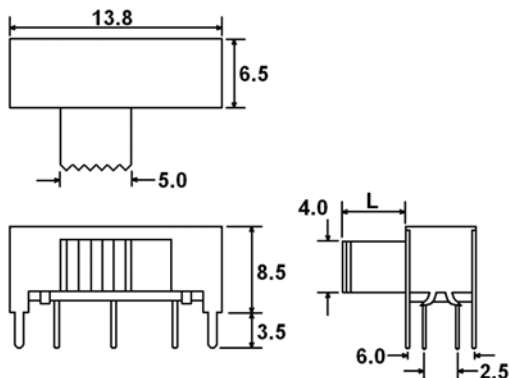
Actuator	Acetal
Housing	Steel
Base	Phenolic
Contacts	Phosphor Bronze, Silver Plated
Terminals	Brass, Silver Plated

## ORDERING INFORMATION

<b>1. Series:</b>	<b>MS2219</b>	<b>L4</b>
MS2219		
<b>2. Actuator Length:</b>		
L4 = 4mm		
L6 = 6mm		

DataSheet4U.com

## DIMENSIONS



## SCHEMATIC & PC LAYOUT

