

## SPECIFICATIONS

Switch Function	DPDT
Electrical Ratings	100mA @ 30VDC
Electrical Life	10,000 cycles typical
Contact Resistance	< 50 mΩ initial
Actuation Force	200 +/- 100gF
Actuator Travel	4.0 mm total
Dielectric Strength	1000Vrms min
Insulation Resistance	> 100MΩ min
Operating Temperature	-40°C to 85°C
Storage Temperature	-40°C to 85°C



## MATERIALS ←RoHS COMPLIANT

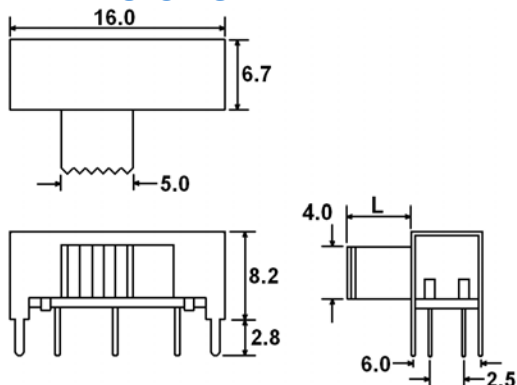
Actuator	Acetal
Housing	Steel
Base	Phenolic
Contacts	Phosphor Bronze, Silver Plated
Terminals	Brass, Silver Plated

## ORDERING INFORMATION

1. Series:	<b>MS2242</b>	<b>L9</b>
	MS2242	
2. Actuator Length:		
	L9 = 9mm	

## DIMENSIONS

DataSheet4U.com



## SCHEMATIC & PC LAYOUT

