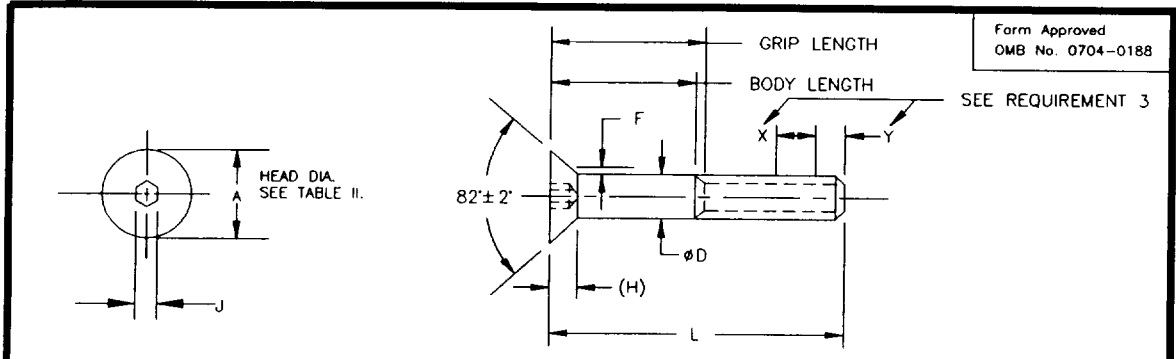


THE REQUIREMENTS FOR ACQUIRING THE PRODUCT(S) DESCRIBED HEREIN SHALL CONSIST OF THIS SPECIFICATION SHEET AND THE ISSUE OF THE FOLLOWING SPECIFICATION LISTED IN THAT ISSUE OF THE DODDSS SPECIFIED IN THE SOLICITATION: FF-S-86

THIS SPECIFICATION IS APPROVED FOR USE BY ALL DEPARTMENTS AND AGENCIES OF THE DEPARTMENT OF DEFENSE.



Form Approved
OMB No. 0704-0188

SEE REQUIREMENT 3

TABLE I

THREAD SIZE		.1120-40UNC-3A	.1380-32UNC-3A	.1640-32UNC-3A	.1900-24UNC-3A	.2500-20UNC-3A	.3125-18UNC-3A						
#D BODY	MAX	.1120	.1380	.1640	.1900	.2500	.3125						
	MIN	.1075	.1329	.1585	.1840	.2435	.3053						
H HEAD HEIGHT	REF	.083	.097	.112	.127	.161	.198						
J SOCKET SIZE	NOM	.062	.078	.094	.125	.156	.188						
F FILLET EXTENSION ABOVE D, MAX		.012	.015	.015	.015	.015	.015						
TENSILE STRENGTH, LBS-MIN		900	1,350	2,085	2,510	4,750	7,800						
L LENGTH	TOLERANCE SIZE .112 THRU .3125	DASH NO.	DASH NO.	DASH NO.	DASH NO.	GRIP LENGTH MAX	BODY LENGTH MIN	DASH NO.	GRIP LENGTH MAX	BODY LENGTH MIN	DASH NO.	GRIP LENGTH MAX	GRIP LENGTH MIN
.250		1	7	13	19			27			37		
.375		2	8	14	20			28			38		
.500	+ .000	3	9	15	21			29			39		
.625	- .030	4	10	16	22			30			40		
.750		5	11	17	23			31			41		
1.000					24			32			42		
1.250					25	.62	.42	33			43		
1.500								34	.75	.50	44		
1.750	+ .000							35	.75	.50	45	.88	.60
2.000	- .040										46	.88	.60
2.250											47	1.38	1.10
2.500													

TABLE I (CONTINUED)

THREAD SIZE		.3750-18UNC-3A			.4375-14UNC-3A			.5000-13UNC-3A			.6250-11UNC-3A		.7500-10UNC-3A	
#D BODY	MAX	.3750			.4375			.5000			.6250		.7500	
	MIN	.3678			.4294			.4919			.6163		.7406	
H HEAD HEIGHT	REF	.234			.234			.251			.324		.396	
J SOCKET SIZE	NOM	.219			.250			.312			.375		.500	
F FILLET EXTENSION ABOVE D, MAX		.015			.015			.015			.015		.015	
TENSILE STRENGTH, LBS-MIN		11,600			15,900			21,200			33,800		50,000	
L LENGTH	TOLERANCE	DASH NO.	GRIP LENGTH MAX	BODY LENGTH MIN	DASH NO. 1/	GRIP LENGTH MAX	BODY LENGTH MIN	DASH NO.	GRIP LENGTH MAX	BODY LENGTH MIN	DASH NO.	DASH NO.		
	SIZE .375 THRU .750													
.500	+ .000	49			62			73						
.625	- .030	50			63			74						
.750	- .030	51			64			75						
1.000		52			65			76						
1.250	+ .000	53			66			77			84	93		
1.500	- .040	54			67			78			85	94		
1.750	+ .000	55			68			79			86	95		
2.000	- .060	56			69			80	1.00	.62	87	96		
2.250		57	1.00	.69	70	1.12	.77	81	1.00	.62	88	97		
2.500		58	1.00	.69	71	1.12	.77	82	1.00	.62	89	98		
2.750	+ .000	59	1.50	1.19		1.12	.77				90	99		
3.000	- .060	60	1.50	1.19		1.62	1.27				91	100		

1/ SEE NOTE 5.

ENTIRE STANDARD REVISED

INCH-POUND

PREPARING ACTIVITY: DLA-IS CUSTODIANS: ARMY-AR NAVY-SH AIR FORCE-99	MILITARY SPECIFICATION SHEET TITLE SCREW, CAP, SOCKET HEAD, FLAT COUNTERSUNK, 82°, ALLOY STEEL, UNC-3A	SPECIFICATION SHEET NUMBER MS24667 30 APR 94 REV D
REVIEW: USER: PROJECT NUMBER: 5305-1952		SUPERSEDING MS24667 C 28 OCT 76 (SEE NOTE 6)
DISTRIBUTION STATEMENT	AMSC- N/A	FSC 5305

A. Approved for public release; distribution is unlimited.

Form Approved
OMB No. 0704-0188

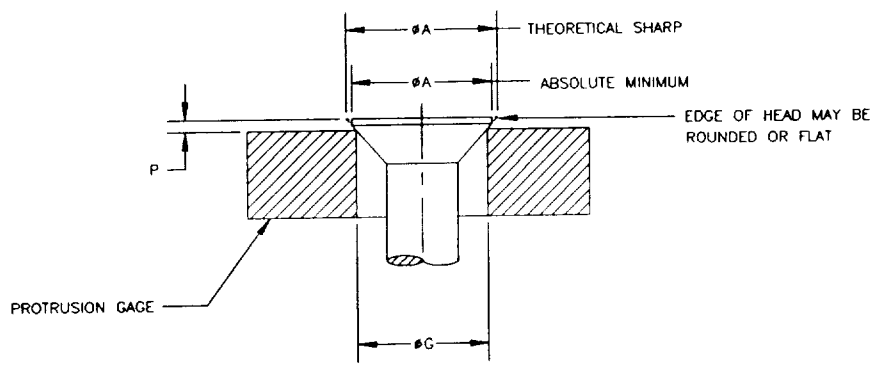


TABLE II 2/

NOMINAL SIZE	ϕA		ϕG	P	
	HEAD DIAMETER			HEAD PROTRUSION	
	THEORETICAL SHARP	ABSOLUTE MIN.	PROTRUSION GAGE DIAMETER + .000 - .001	MAX.	MIN.
.1120	.255	.218	.172	.049	.025
.1380	.307	.263	.220	.052	.023
.1640	.359	.311	.267	.055	.024
.1900	.411	.359	.313	.058	.025
.2500	.531	.480	.424	.064	.031
.3125	.656	.600	.539	.070	.033
.3750	.781	.720	.653	.076	.037
.4375	.844	.781	.690	.092	.050
.5000	.938	.872	.739	.119	.073
.6250	1.188	1.112	.962	.135	.083
.7500	1.438	1.355	1.186	.150	.093

2/ SEE REQUIREMENT 7.

THE REQUIREMENTS FOR ACQUIRING THE PRODUCT(S) DESCRIBED HEREIN SHALL CONSIST OF THIS SPECIFICATION SHEET AND THE ISSUE OF THE FOLLOWING SPECIFICATION LISTED IN THAT ISSUE OF THE DODISS SPECIFIED IN THE SOLICITATION: FF-5-86

THIS SPECIFICATION IS APPROVED FOR USE BY ALL DEPARTMENTS AND AGENCIES OF THE DEPARTMENT OF DEFENSE

PREPARING ACTIVITY: DLA-IS CUSTODIANS: ARMY-AR NAVY-SH AIR FORCE-99 REVIEW: USER: PROJECT NUMBER: 5305-1952	MILITARY SPECIFICATION SHEET TITLE SCREW, CAP, SOCKET HEAD, FLAT COUNTERSUNK, 82', ALLOY STEEL, UNC-3A	SPECIFICATION SHEET NUMBER MS24667 30 APR 94 REV D SUPERSEDING MS24667 C 28 OCT 76 (SEE NOTE 6) AMSC- N/A FSC 5305
DISTRIBUTION STATEMENT A. Approved for public release; distribution is unlimited.		Page <u>2</u> of <u>3</u>

