



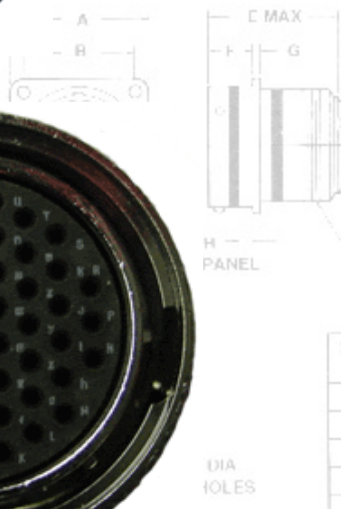
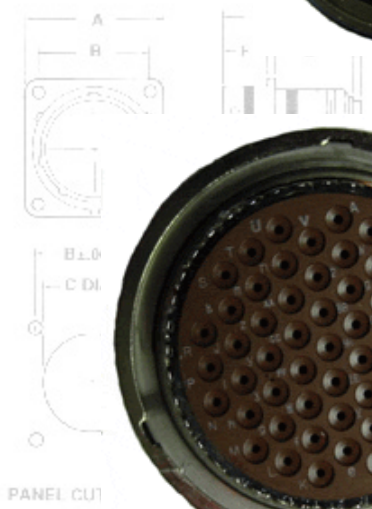
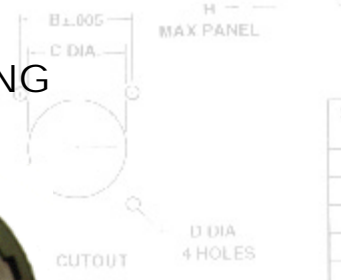
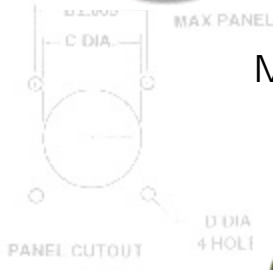
Allen Electric Connector Sales, inc.



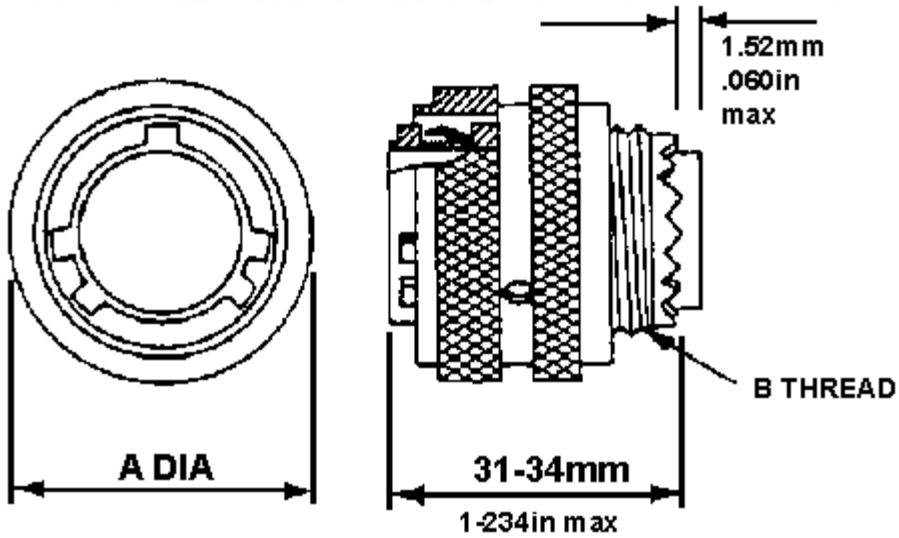
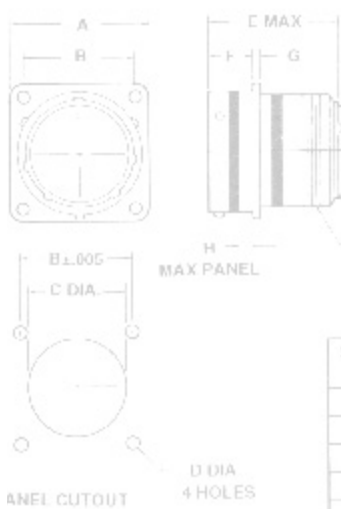
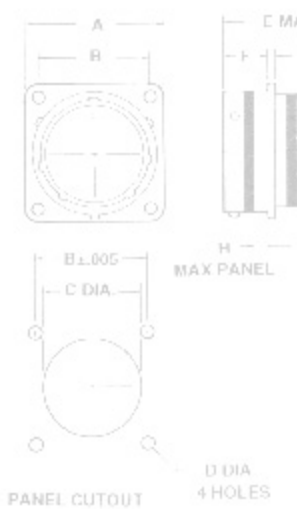
TM

MS27467 SERIES I PLUG WITH RFI GROUNDING

SHELL S17	A MAX	B ±.005	C ±.002	D ±.006	E MAX	F -0.1	G +0.10	H MAX	I MAX	J 1H-EAU 2A 12-20 UNF
--------------	----------	------------	------------	------------	----------	-----------	------------	----------	----------	-----------------------------



22	1.578	1.250	1.485	.20	1.275	1/2	.094	.212	1.5/16-8 UNHF
24	1.709	1.375	1.615	.27	1.275	1/2	.094	.212	1.7/16-8 UNHF

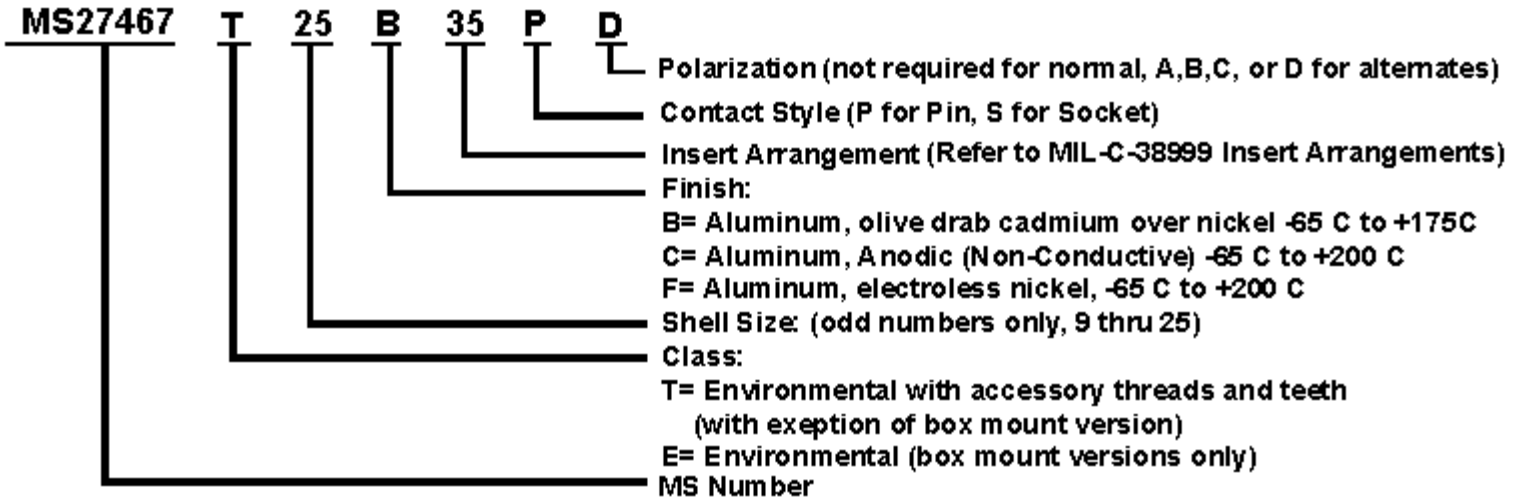


SHELL	B THREAD	A MAX DIA
-------	----------	-----------

SIZE	CLASS 2A UNEF	Inch	MM
09	.4375-24	.859	21.61
11	.5625-24	.984	24.99
13	.6875-24	1.156	29.36
15	.8125-20	1.281	32.53
17	.9375-20	1.406	35.71
19	1.0625-18	1.516	38.50
21	1.1875-18	1.641	41.68
23	1.3125-18	1.766	44.85
25	1.4375-18	1.891	48.03

- [MIL-DTL-38999 Insert and Contact Identification](#)
- [MIL-DTL-38999 Insert Arrangements](#)
- [MIL-DTL-38999 Contacts, Tooling, Wire Sizes, Sealing Plugs](#)
- [MIL-DTL-38999 Series I Locksmith Keying Polarization](#)
- [Series I & II Strain Reliefs](#)

MILITARY PART NUMBERING SYSTEM



For pricing and availability, please fill out our RFQ form



If you need any other information, please **E-Mail** aecs@aecsinc.com



phone (703) 425-3815 fax (703) 425-3814

We look forward to hearing from you!