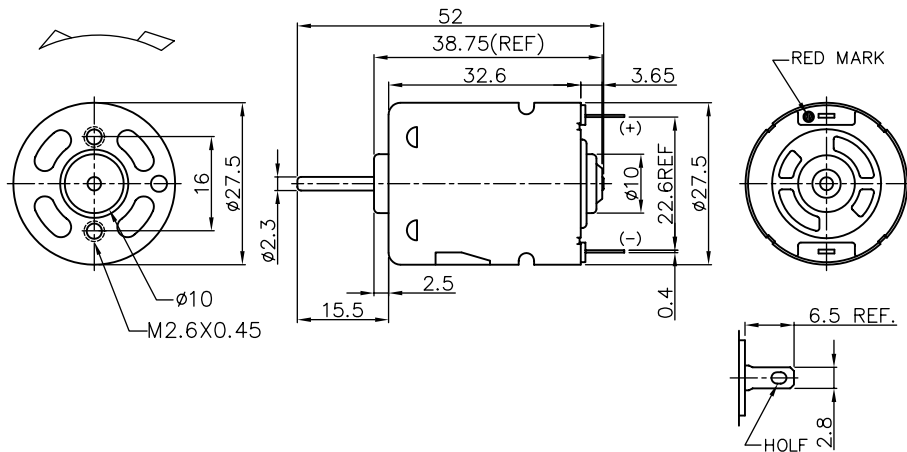


## M\_3FN series Ø27.5 mm 1.3-14 W

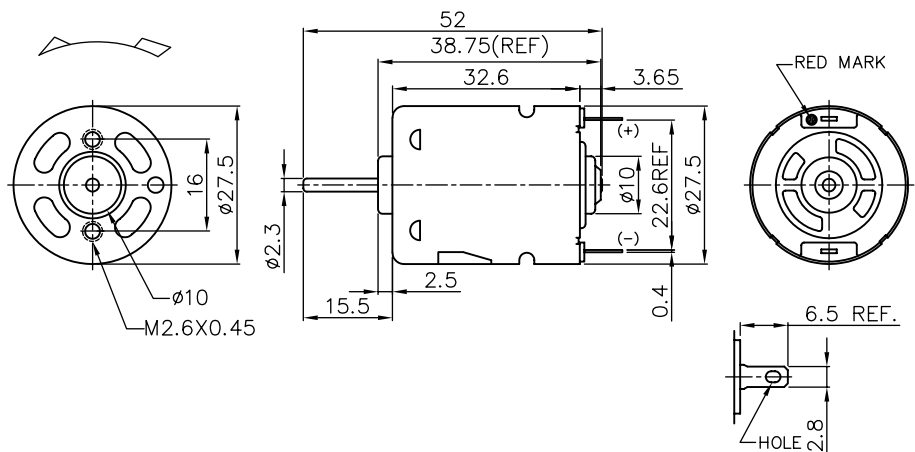


Model -  -  -   
 Carbon brush = C      V = Varistor  
 Metal brush = M      C = Capacitor

### MOTOR DATA

Part name	MS3FN-18180-CVC	MS3FN-19145-CVC	MD3FN-3270-CVC	MP3FN-2885-CVC
Diameter (mm)	27.5	27.5	27.5	27.5
Length (mm)	32.6	32.6	32.6	32.6
Nominal voltage (V)	6	6	7.2	9.6
Nominal speed (rpm)	3700	4300	12200	12900
Nominal torque (mNm)	3.5	3.9	7.4	10.4
Nominal current A	0.4	0.6	2.1	2.4
No load speed (rpm)	4750	5900	14800	15700
No load current A	0.13	0.17	0.55	0.45
Stall torque (mNm)	17.0	16.9	43.1	58.8
Starting current (A)	1.6	2.0	10.4	11.1
Output (W)	1.3	1.8	9.3	14
Efficiency (%)	59	53	61	62
Operating temperature deg. C	-10..+60	-10..+60	-10..+60	-10..+60

## M\_5FN series Ø27.5 mm 0.9-2.9 W



Model -  -  -   
 Carbon brush = C      V = Varistor  
 Metal brush = M      C = Capacitor

### MOTOR DATA

Part name	MP5FN-2080-CVC	MP5FN-12185-CVC	MS5FN-16120-CVC	MS5FN-07420-CVC
Diameter (mm)	27.5	27.5	27.5	27.5
Length (mm)	32.6	32.6	32.6	32.6
Nominal voltage (V)	6	12	12	24
Nominal speed (rpm)	4000	3600	5800	3100
Nominal torque (mNm)	4.0	3.1	4.7	2.6
Nominal current A	0.5	0.2	0.5	0.1
No load speed (rpm)	5200	4800	7600	4300
No load current A	0.16	0.08	0.10	0.04
Stall torque (mNm)	19.8	14.3	23.0	10.1
Starting current (A)	2.1	0.7	1.7	0.2
Output (W)	1.7	1.2	2.9	0.9
Efficiency (%)	53	53	54	45
Operating temperature deg. C	-10..+60	-10..+60	-10..+60	-10..+60