

## Type MS Slow Blow Micro Fuse

MSD0199



### Electrical Characteristics (UL/CSA STD.248-14)

Testing current	Blow Time	
	Minimum	Maximum
100%	4 Hrs.	N/A
200%	N/A	30 Sec

### Approvals



Safety Agency Approvals	Amp range / Volt @ I.R. ability
Recognized File No. E20624	250mA - 7A/125V @ 50A ac; 300A dc.
Certified File No. LR39772	

### Environmental Specification

#### Operating Temperature

-55°C to +125°C

#### Soldering Heat Resistance

260°C, 10 sec. per IEC 68-2-20

#### Moisture Resistance

MIL-STD-202F, Method 106

#### Salt Spray

MIL-STD-202, Method 101, Condition B (48Hrs)

#### Shock Resistance

MIL-STD-202, Method 213, Condition I (Sawtooth)

#### Vibration Resistance

10-55 Hz x 3 axis/ no load (MIL-STD-202, Method 201)

### Physical Specification

#### Materials

##### Body:

Molded with UL Recognized epoxy component plastic, UL 94-V0

##### Lead/Wire:

Tin-lead plated Copper, Diameter 0.032" for all ratings

#### Marking

##### On fuse:

"bel", "MS", "Current Rating", "125V" printed in green color

##### On label:

Above info plus "

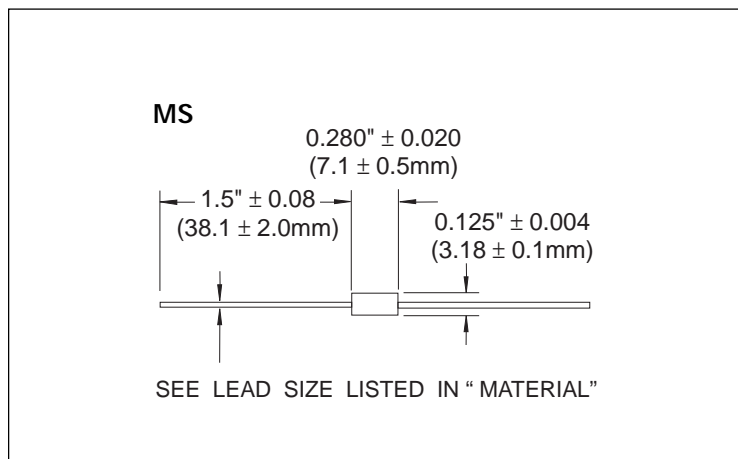
Catalog Number	Ampere Rating	Typical Cold Resistance (ohm)	Volt-drop @100% In (Volt) max.	Melting I <sup>2</sup> T < 10 mSec (A <sup>2</sup> Sec)	Melting I <sup>2</sup> T @10 In (A <sup>2</sup> Sec)	Maximum Power Dissipation (W)
MS 250	250mA	3.20	2.20	0.047	0.042	0.80
MS 300	300mA	2.57	2.02	0.063	0.056	0.82
MS 375	375mA	1.66	1.69	0.111	0.101	0.85
MS 500	500mA	1.07	1.42	0.20	0.18	0.88
MS 750	750mA	0.55	1.09	0.46	0.44	0.94
MS 1	1A	0.36	0.91	0.81	0.78	0.98
MS 1.25	1.25A	0.23	0.77	1.44	1.41	1.01
MS 1.5	1.5A	0.18	0.70	1.9	1.9	1.03
MS 2	2A	0.12	0.59	3.4	3.4	1.08
MS 2.5	2.5A	0.08	0.50	6.0	6.1	1.12
MS 3	3A	0.06	0.45	8.0	8.1	1.14
MS 4	4A	0.04	0.38	14	15	1.19
MS 5	5A	0.02	0.29	33	35	1.26
MS 7	7A	0.01	0.25	59	63	1.31

Consult manufacturer for other ratings

### Packaging

- In bulk:  
1,000 pcs per box
- On Axial Tape & Reel:  
2,500 pcs per reel
- Tape & Reel specification:  
per EIA-296-E & IEC 286-1  
@ 5mm Pitch and 52.4mm inside Tape Spacing

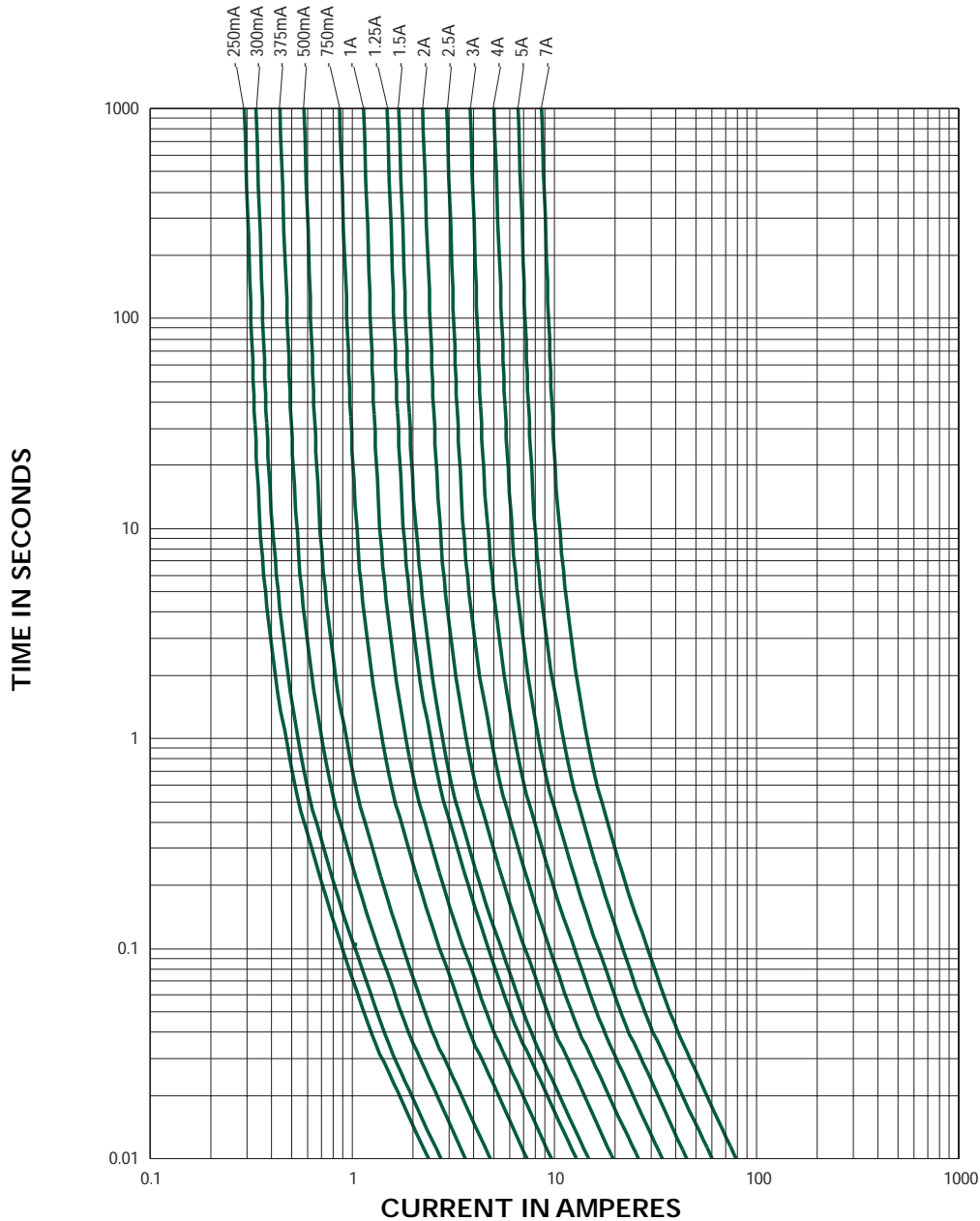
### Mechanical Dimensions



Specifications subject to change without notice

**Type MS**  
Slow Blow Micro Fuse

**MS - TIME CURRENT CHARACTERISTIC CURVE**



Specifications subject to change without notice

NOTE - see important information under "User Guide" on P.08

**Corporate Office**

Bel Fuse Inc.  
198 Van Vorst Street, Jersey City, NJ 07302  
Tel: 201-432-0463  
Fax: 201-432-9542  
E-Mail: [belfuse@belfuse.com](mailto:belfuse@belfuse.com)  
Internet: <http://www.belfuse.com>

**Far East Office**

Bel Fuse Ltd.  
8F/8 Luk Hop Street  
San Po Kong  
Kowloon, Hong Kong  
Tel: 852-2328-5515  
Fax: 852-2352-3706

**European Office**

Bel Fuse Europe Ltd.  
Preston Technology Management Centre  
Marsh Lane, Preston PR1 8U  
Lancashire, U.K.  
Tel: 44-1772-556601  
Fax: 44-1772-888366