

MS9035C
 17 March 2005
 SUPERSEDING
 MS9035B
 29 August 1967

MILITARY SPECIFICATION SHEET

BOLT-MACHINE, STEEL, 12 POINT HEAD, HEAT RESISTANT STEEL, .3125-24 NS

Inactive for new design after 20 May 1998

This specification sheet is approved for use by all Departments and Agencies of the Department of Defense.

The requirements for acquiring the product described herein shall consist of this specification sheet and SAE-AS7478.

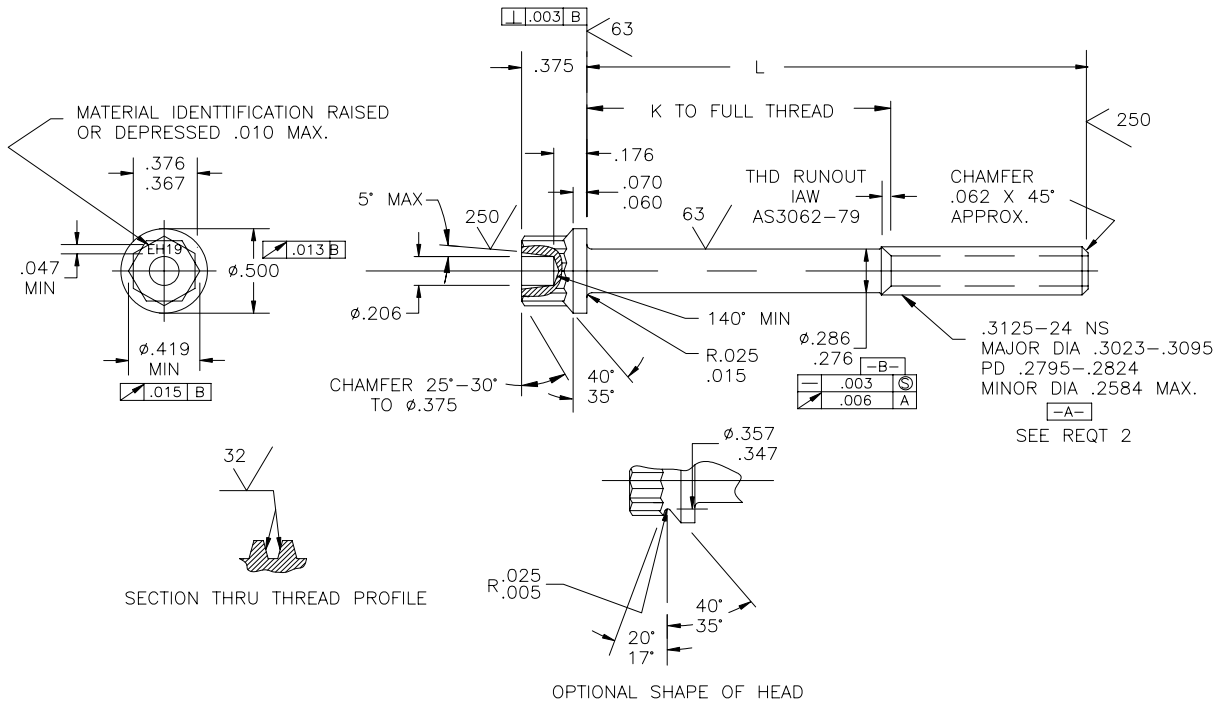


TABLE I. DASH NUMBERS AND DIMENSIONS

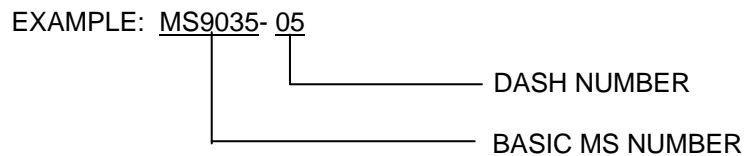
DASH NO.	L	K +.000 -060	APPRO X WEIGHT LBS/100	DASH NO.	L	K +.000 -060	APPRO X WEIGHT LBS/100	DASH NO.	L	K +.000 -060	APPRO X WEIGHT LBS/100
-05	.562	1/	2.21	-23	1.688	.812	4.22	-41	3.875	3.000	8.17
-06	.625	1/	2.28	-24	1.750	.875	4.33	-42	4.000	3.125	8.40
-07	.688	1/	2.39	-25	1.875	1.000	4.55	-43	4.125	3.250	8.63
-08	.750	1/	2.51	-26	2.000	1.125	4.77	-44	4.250	3.375	8.86
-09	.812	1/	2.62	-27	2.125	1.250	5.00	-45	4.375	3.500	9.08
-10	.875	1/	2.73	-28	2.250	1.375	5.23	-46	4.500	3.625	9.30
-11	.938	1/	2.85	-29	2.375	1.500	5.45	-47	4.625	3.750	9.52
-12	1.000	.125	2.96	-30	2.500	1.625	5.67	-48	4.750	3.875	9.74
-13	1.062	.188	3.07	-31	2.625	1.750	5.90	-49	4.875	4.000	9.95
-14	1.125	.250	3.19	-32	2.750	1.875	6.13	-50	5.000	4.125	10.17
-15	1.188	.312	3.30	-33	2.875	2.000	6.36	-51	5.125	4.250	10.40
-16	1.250	.375	3.41	-34	3.000	2.125	6.58	-52	5.250	4.375	10.63
-17	1.312	.438	3.52	-35	3.125	2.250	6.80	-53	5.375	4.500	10.86
-18	1.375	.500	3.64	-36	3.250	2.375	7.03	-54	5.500	4.625	11.10
-19	1.438	.562	3.75	-37	3.375	2.500	7.27	-55	5.625	4.750	11.33
-20	1.500	.625	3.87	-38	3.500	2.625	7.50	-56	5.750	4.875	11.56
-21	1.562	.688	3.98	-39	3.625	2.750	7.73	-57	5.875	5.000	11.78
-22	1.625	.750	4.10	-40	3.750	2.875	7.95	-58	6.000	5.125	12.00

1/ THREAD TO HEAD. MAXIMUM TWO INCOMPLETE THREADS

MS9035C

REQUIREMENTS:

1. MATERIAL: HEAT RESISTANCE STEEL IN ACCORDANCE WITH AMS 5732.
2. THREADS: THREADS IN ACCORDANCE WITH MIL-S-7742. INCOMPLETE THREADS NOT TO ENTER FILLET.
3. DIMENSIONING AND TOLERANCING: DIMENSIONING AND TOLERANCING SHALL BE IN ACCORDANCE WITH ASME Y14.5M.
4. SURFACE TEXTURE: SURFACE TEXTURE, UNLESS OTHERWISE SPECIFIED, SHALL BE 125 MICROINCHES EXCEPT UPSET HEAD IN ACCORDANCE WITH ASME B46.1
5. FLUORESCENT PENETRANT INSPECTION: FLUORESCENT PENETRANT INSPECTION SHALL BE IN ACCORDANCE WITH ASTM E1417.
6. TOLERANCE: UNLESS OTHERWISE SPECIFIED, TOLERANCES SHALL BE FOR LINEAR DIMENSIONS $\pm .010$, ANGULAR DIMENSION $\pm 5^\circ$.
7. EDGES: BREAK SHARP EDGES .003-.015 UNLESS OTHERWISE SPECIFIED.
8. PART NUMBER: THE PART NUMBER SHALL CONSIST OF THE BASIC MS NUMBER FOLLOWED BY A DASH NUMBER FROM TABLE I.



MS9035-05 INDICATES - BOLT, MACHINE, 12 POINT HEAD, HEAT RESISTANT STEEL,.3125-24 NS, LENGTH .562.

NOTES:

1. ALL DIMENSIONS ARE IN INCHES.
2. DO NOT USE UNASSIGNED PART NUMBERS.
3. IN THE EVENT OF A CONFLICT BETWEEN THE TEXT OF THIS STANDARD AND THE REFERENCES CITED HEREIN, THE TEXT OF THIS STANDARD SHALL TAKE PRECEDENCE.
4. THIS STANDARD WAS DEVELOPED COOPERATIVELY WITH THE SAE AEROSPACE PROPULSION DIVISION.
5. AS AND AMS ARE SAE PUBLICATIONS.
6. SUBJECT TERM (KEY WORD) LISTING .
BOLT, MACHINE, 12 POINT HEAD, HEAT RESISTANT STEEL.

MS9035C

7. CHANGES FROM PREVIOUS ISSUE: THE MARGINS OF THIS SPECIFICATION ARE MARKED WITH VERTICAL LINES TO INDICATE WHERE CHNGES FROM THE PREVIOUS ISSUE WERE MADE. THIS WAS DONE AS A CONVENIENCE ONLY AND THE GOVERNMENT ASSUMES NO LIABILITY WHATSOEVER FOR ANY INACCURACIES IN THESE NOTATIONS. BIDDERS AND CONTRACTORS ARE CAUTIONED TO EVALUTATE THE REQUIREMENTS OF THIS DOCUMENT BASED ON THE ENTIRE CONTENT IRRESPECTIVE OF THE MARGINAL NOTATIONS AND RELATIONSHIP TO THE LAST PREVIOUS ISSUE.

Custodians:
Navy – AS
Air Force – 11

Preparing Activity:
DLA-IS

(Project 5305-2555)