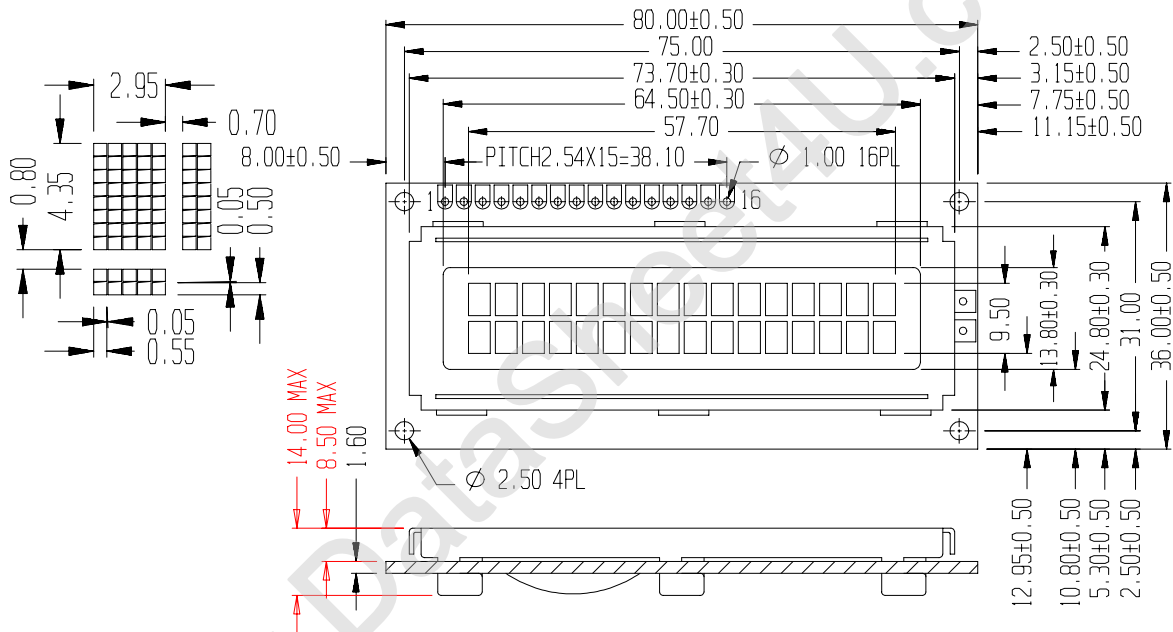


■ PHYSICAL DATA

Item	Contents	Unit
LCD type	STN	---
LCD duty	1/16	---
LCD bias	1/5	---
Viewing direction	6	o'clock
Module size (W×H×T)	80 × 36 × 14MAX (3.15" × 1.42" × 0.55"MAX)	mm
Viewing area (W×H)	64.5 × 13.8 (2.54" × 0.54")	mm
Number of characters (characters×lines)	16 × 2	---
Character matrix (W×H)	5 × 8	dots
Character size (W×H)	2.95 × 4.35 (0.116" × 0.171")	mm
Dot size (W×H)	0.55 × 0.50 (0.022" × 0.020")	mm
Dot pitch (W×H)	0.60 × 0.55 (0.024" × 0.022")	mm

■ EXTERNAL DIMENSIONS



■ BLOCK DIAGRAM

1	2	3	4	5	6	7	8	9	10	11	12	13	14	15	16
VSS	VDD	VO	RS	R/W	E	DB0	DB1	DB2	DB3	DB4	DB5	DB6	DB7	BLA	BLK

