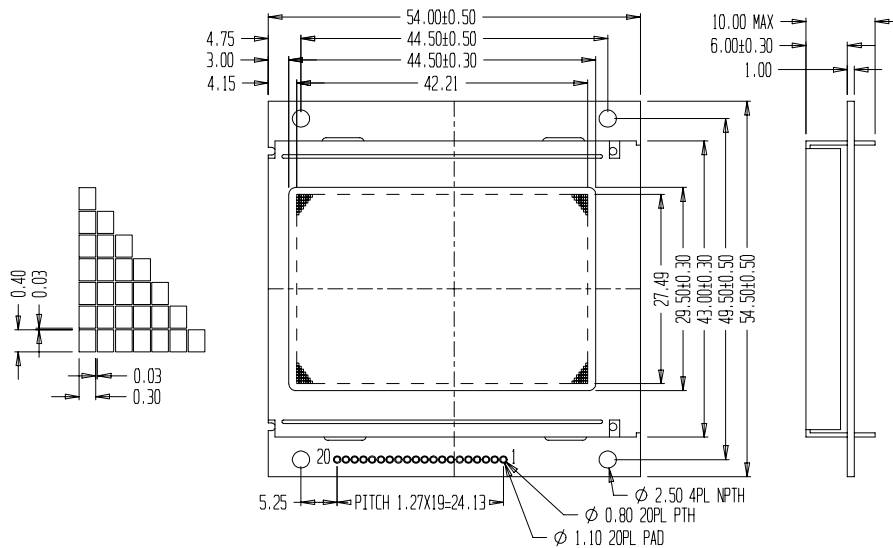


■ PHYSICAL DATA

Item	Contents	Unit
LCD type	STN	---
LCD duty	1/64	---
LCD bias	1/9	---
Viewing direction	6	o'clock
Module size (W×H×T)	54 × 54 × 10MAX (2.13" × 2.13" × 0.39"MAX)	mm
Viewing area (W×H)	44.5 × 29.5 (1.75" × 1.16")	mm
Number of dots	128 × 64	dots
Dot size (W×H)	0.30 × 0.40 (0.012" × 0.016")	mm
Dot pitch (W×H)	0.33 × 0.43 (0.013" × 0.017")	mm

■ EXTERNAL DIMENSIONS



■ BLOCK DIAGRAM

