

**MSL917**

OKI SEMICONDUCTOR GROUP

**8-BIT PARALLEL-IN PARALLEL-OUT**

T-52-13-09

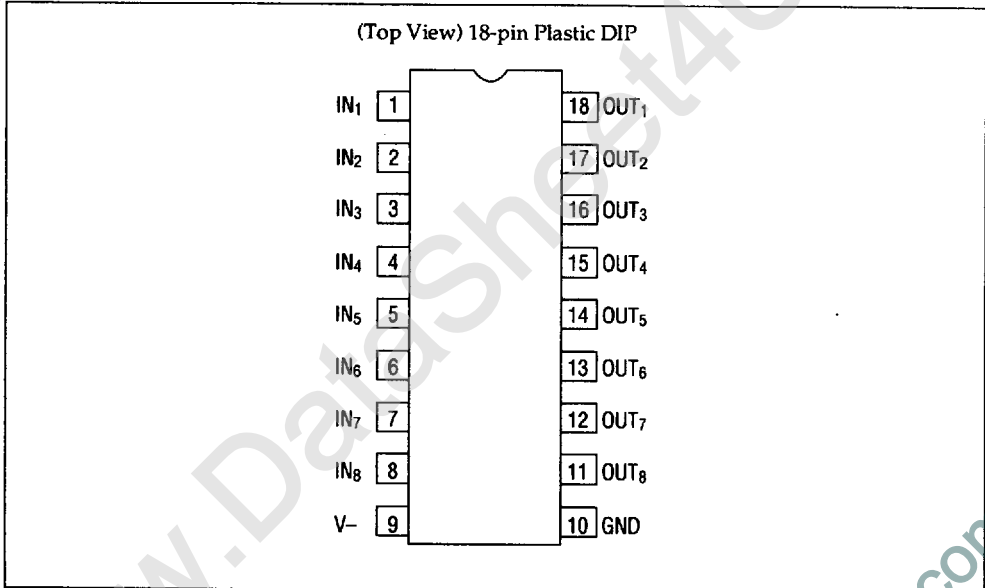
**GENERAL DESCRIPTION**

The MSL917 is a high voltage vacuum fluorescent display tube driver, which uses negative voltage and contains eight circuits. Each output does not contain a pull-down resistor, hence it should be connected to an external resistor (about 150k $\Omega$ )

Input may be driven directly by the TTL or CMOS. The vacuum fluorescent display tube driver may also be used as a high voltage and current driver.

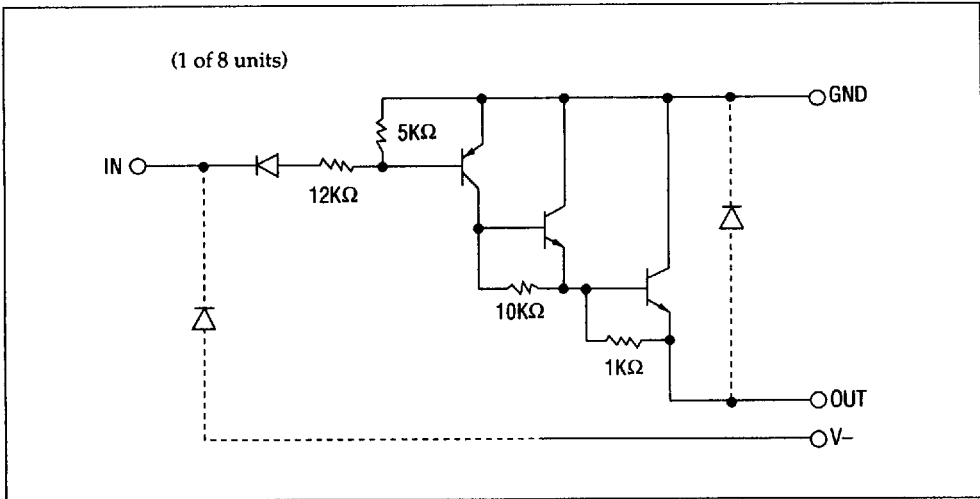
- 18-pin Plastic DIP (DIP 18-P-300)

**PIN CONFIGURATION**



## CIRCUIT CONFIGURATION

◇ K I SEMICONDUCTOR GROUP



## ELECTRICAL CHARACTERISTICS

## • Absolute Maximum Ratings

Parameter	Symbol	Condition	Limits	Unit
Supply voltage	V-	T <sub>a</sub> =25°C	GND +0.3 ~ GND -85	V
Input voltage	V <sub>i</sub>	T <sub>a</sub> =25°C	GND +0.5 ~ GND -10	V
Output voltage	V <sub>o</sub>	T <sub>a</sub> =25°C	GND +0.3 ~ GND -85	V
Output current	I <sub>o</sub>	T <sub>a</sub> =25°C, only one circuit ON	0 ~ -100	mA
Storage temperature	T <sub>stg</sub>	-	-55 ~ +150	°C

## • Recommended Operating Conditions

Parameter	Symbol	Condition	Limits	Unit
Supply voltage	V-	-	GND -20 ~ GND -80	V
Input voltage	V <sub>i</sub>	-	GND ~ GND -7	V
Output current	I <sub>o</sub>	Only one circuit ON*	0 ~ -90	mA
		Per circuit when all circuits are ON*	0 ~ -11	mA
		Total output current*	0 ~ -90	mA
Operating temperature	T <sub>op</sub>	-	-30 ~ +75	°C

\* Duty: 50% max.

0 K I SEMICONDUCTOR GROUP

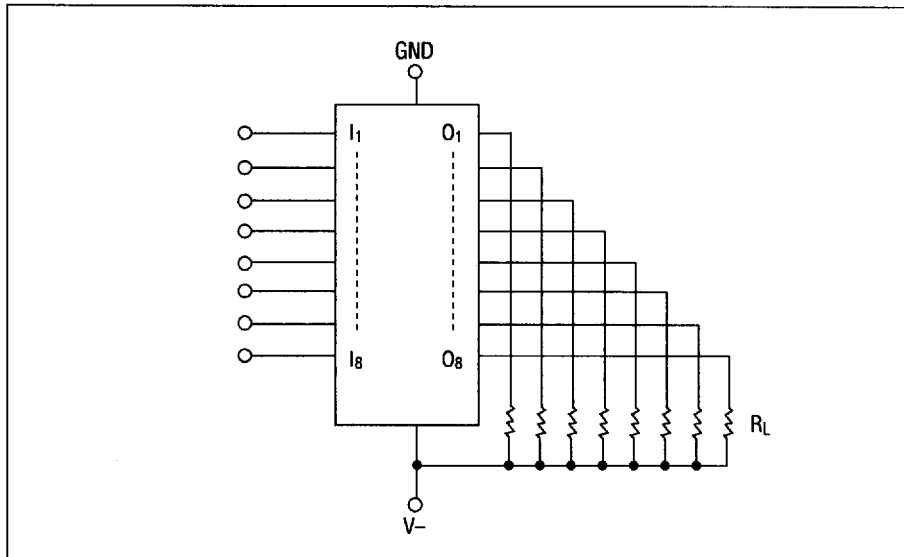
- DC Characteristics

(Ta = -30 ~ +75°C, TYP: Ta = 25°C)

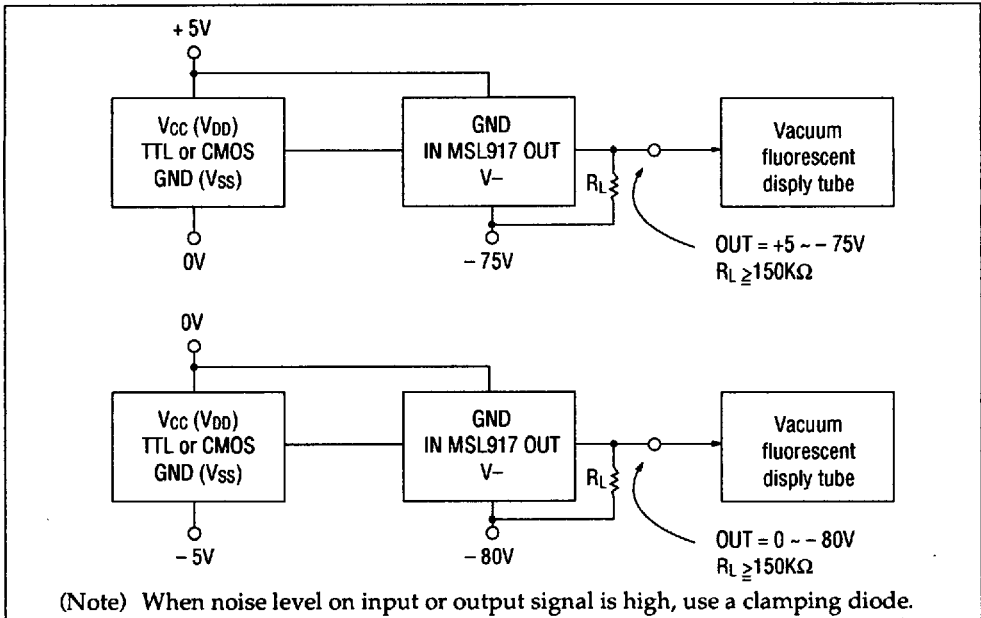
Parameter	Symbol	Condition				Specification			Unit
		V- (V)	Vi (V)	Io (mA)	RL (Ω)	MIN	TYP	MAX	
High input voltage	V <sub>IH</sub>	-80	-	-	-	-	-	-1.5	V
Low input voltage	V <sub>IL</sub>	-80	-	-	-	-4	-	-	V
High input current	I <sub>IH</sub>	-80	-1.5	-	-	-	-70	-280	μA
Low input current	I <sub>IL1</sub>	-80	-4	-	-	-	-0.23	-1.2	mA
	I <sub>IL2</sub>	-80	-7	-	-	-	-0.58	-2.6	mA
High output voltage	V <sub>OH</sub>	-80	-4	-90	-	-	-2.0	-3.0	V
Low output voltage	V <sub>OL</sub>	-80	-1.5	0	150K	-75	-79	-	V
Supply current	I <sub>CC OFF</sub>	-80	ALL INPUTS -1.5	-	150K	-	0.7	1.3	mA
	I <sub>CC ON</sub>	-80	ALL INPUTS -4	-	150K	-	8	14	mA

\*1 RL connection method

**RL CONNECTION METHOD**



## APPLICATION NOTE



Information furnished by OKI is believed to be accurate and reliable. However, no responsibility is assumed by OKI for its use; nor for any infringements of patents or other rights of third parties which may result from its use. No license is granted by implication or otherwise under any patent rights of OKI.