

NEW!

15 Million cycles

SPDT Switch

DC to 18 GHz

MSP2TA-18

CASE STYLE: FP914

Features

- low insertion loss, 0.2 dB
- high isolation, 70 dB
- high power handling, 25W
- ultra reliable
- break-before-make configuration
- absorptive failsafe switch

Applications

- (ATE) automatic test equipment
- reliable "sleeptime" switching
- redundancy switching for microwave radio

Electrical Specifications

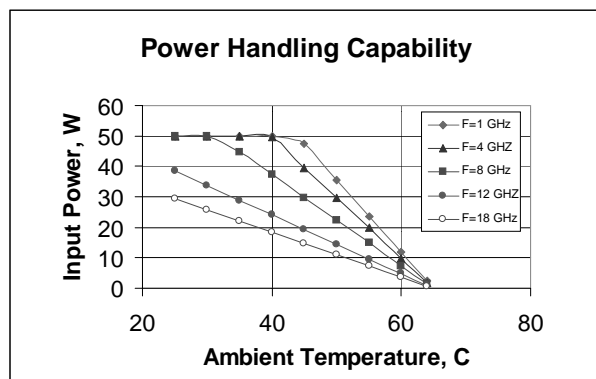
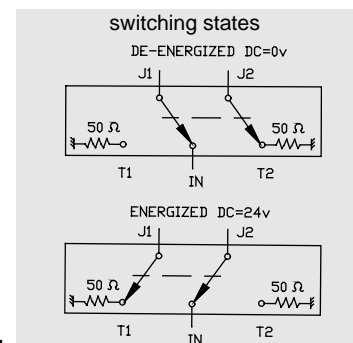
FREQ. (GHz)	INSERTION LOSS (dB)		ISOLATION (dB)		VSWR (:1)		DC CURRENT @ +24V (mA)	RF POWER* (W)	CASE STYLE	PRICE \$ Qty. (1-9)
	Typ.	Max.	Typ.	Min.	Typ.	Max.				
DC-1	0.10	0.15	100	85	1.05	1.10	175 215	50 50 38 25	FP914	149.95
1-8	0.15	0.30	90	70	1.20	1.30				
8-12	0.25	0.40	80	70	1.20	1.35				
12-18	0.30	0.50	66	60	1.25	1.40				

*Power Ratings at ambient temperature 25°C, non-switching mode.
For other ambient temperatures see derating graph below. Internal termination 2W.

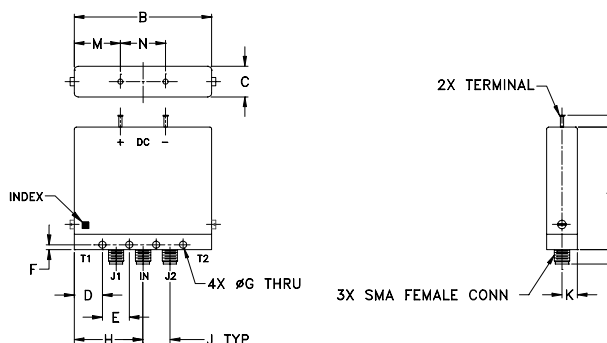
additional specifications

Operating Voltage(nom)	24V
Switching Time (typ.)	12ms
Operating Temperature	-15°C to +65°C
Life† (Min.)	10 million cycles
Impedance	50 ohms
Nominal Weight	70 grams

† tested at 0 dBm RF power



Outline Drawing



Outline Dimensions (inch mm)

A	B	C	D	E	F	G	
2.00	2.25	.50	.460	.440	.080	.120	
50.80	57.15	12.70	11.68	11.18	2.03	3.05	
H	J	K	L	M	N	P	wt.
1.125	.440	.25	.24	.755	.740	.19	grams
28.58	11.18	6.35	6.10	19.18	18.80	4.83	70

Distribution Centers NORTH AMERICA 800-654-7949 • 417-335-5935 • Fax 417-335-5945 • EUROPE 44-1252-832600 • Fax 44-1252-837010

ISO 9001 CERTIFIED

INTERNET <http://www.minicircuits.com>

REV. C
M83371
ED-8697/3
YB/RS
020920