

**MT0363-WH**

**Features**

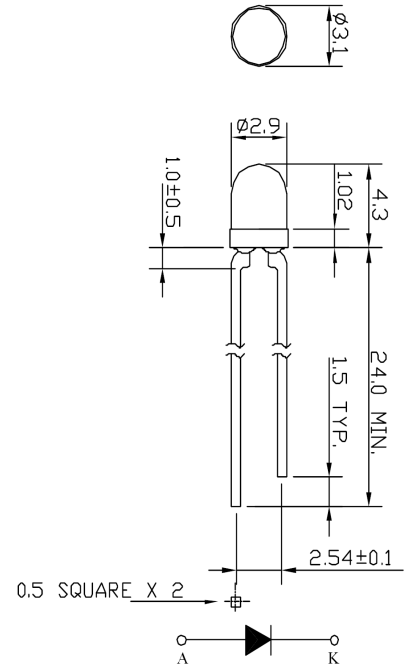
- High Intensity
- Reliable Rugged
- Low Current Requirements
- IC Compatible

**Maximum Ratings (Ta=25°C)**

Characteristic	Symbol	Max.	Unit
Forward Current	I <sub>F</sub>	20	mA
Reverse Voltage	V <sub>R</sub>	5	V
Power Dissipation	P <sub>D</sub>	84.00	mW
Operating Temperature	T <sub>opr</sub>	-25 ~ +85	°C
Storage Temperature	T <sub>stg</sub>	-40 ~ +100	°C
Soldering Temperature	T <sub>sol</sub>	260	°C
Soldering Time	-	for 5 sec. max	-

**Opto-Electrical Characteristics (Ta=25°C)**

Characteristic	Symbol	Test Condition	Min	Typ	Max	Unit
Forward Voltage	V <sub>F</sub>	I <sub>F</sub> =20mA	-	3.50	4.20	V
Reverse Current	I <sub>R</sub>	V <sub>R</sub> =5V	-	-	50	μ A
Luminous Intensity	I <sub>v</sub>	I <sub>F</sub> =20mA	1300.00	2200.00	-	mcd
Viewing Angle	2θ <sup>1/2</sup>	-	-	40°	-	deg.
Peak Wavelength	λ <sub>p</sub>	I <sub>F</sub> =20mA	-	465	-	nm
Dominant Wavelength	λ <sub>d</sub>	I <sub>F</sub> =20mA	-	X=.31, Y=.32	-	nm
Spectral Line Half Width	Δλ	I <sub>F</sub> =20mA	-	28	-	nm



Notes:

1. All dimensions are in millimeters.
2. Tolerance is ±0.25mm unless otherwise noted.

**MT0363-WH Graphs**

Typical Electrical/Optical Characteristic Curves  
(25 °C Ambient Temperature Unless Otherwise Noted)

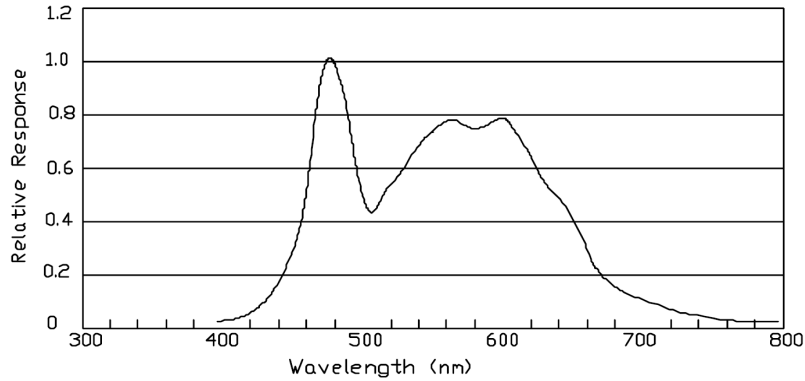
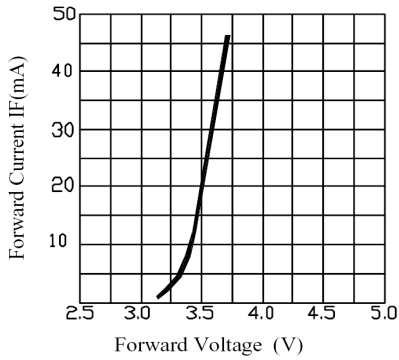
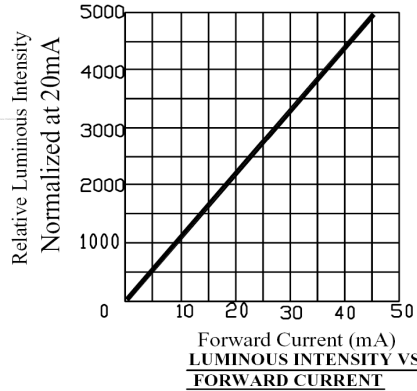


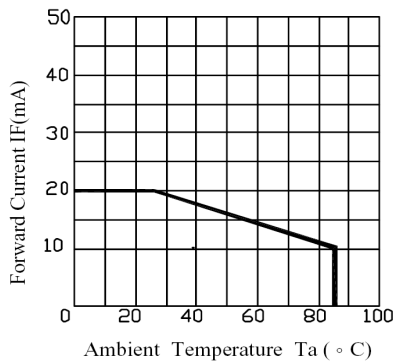
Fig.1 WHITE LED Spectrum VS. WAVELENGTH



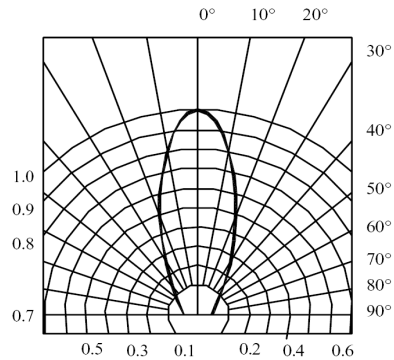
FORWARD CURRENT VS. APPLIED VOLTAGE



LUMINOUS INTENSITY VS. FORWARD CURRENT



FORWARD CURRENT VS. AMBIENT TEMPERATURE



RELATIVE INTENSITY VS. WAVELENGTH