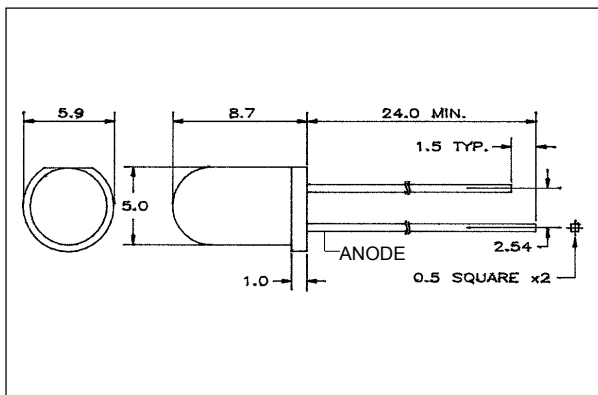


# Standard T-1<sup>3</sup>/<sub>4</sub> LED Lamps

## FEATURES

- Excellent on/off contrasts
- Choice of diffused or color clear lens
- Other colors/materials available
- Option of standoffs or hard leads
- Can be packaged on tape in a reel or in a box



## MAXIMUM RATINGS (Ta = 25°C)

PART NO.	FORWARD CURRENT (If) (mA)	REVERSE VOLTAGE (Vr) (V)	POWER DISSIPATION (Pd) (mW)	OPERATING TEMPERATURE (Topt) (°C)	STORAGE TEMPERATURE (Tstg) (°C)
MT1118-RG	30	5.0	85	-25~+85	-25~+100
MT2118-G	30	5.0	85	-25~+85	-25~+100
MT3118-Y	30	5.0	85	-25~+85	-25~+100
MT4118-O	30	5.0	85	-25~+85	-25~+100
MT4118-HR	30	5.0	85	-25~+85	-25~+100
MT1418-RG	30	5.0	85	-25~+85	-25~+100
MT2418-G	30	5.0	85	-25~+85	-25~+100
MT3418-Y	30	5.0	85	-25~+85	-25~+100
MT4418-O	30	5.0	85	-25~+85	-25~+100
MT4418-HR	30	5.0	85	-25~+85	-25~+100

## OPTO-ELECTRICAL CHARACTERISTICS (Ta = 25°C)

PART NO.	MATERIAL	LENS COLOR	VIEWING ANGLE typ.	LUMINOUS INTENSITY (mcd)			FORWARD VOLTAGE (V)			REVERSE CURRENT		PEAK WAVE LENGTH
				min.	typ.	@mA	typ.	max.	@mA	µA	Vr	nm
MT1118-RG	GaP	Red Diff	44°	1.4	3.6	20	2.1	3.0	20	100	5	700
MT2118-G	GaP	Green Diff	44°	7.2	100	20	2.1	3.0	20	100	5	567
MT3118-Y	GaAsP/GaP	Yellow Diff	44°	5.8	65	20	2.1	3.0	20	100	5	585
MT4118-O	GaAsP/GaP	Orange Diff	44°	8.2	75	20	2.1	3.0	20	100	5	635
MT4118-HR	GaAsP/GaP	Red Diff	44°	8.2	75	20	2.1	3.0	20	100	5	635
MT1418-RG	GaP	Red Clear	22°	5.0	12.4	20	2.1	3.0	20	100	5	700
MT2418-G	GaP	Green Clear	22°	24.2	330	20	2.1	3.0	20	100	5	567
MT3418-Y	GaAsP/GaP	Yellow Clear	22°	19.8	210	20	2.1	3.0	20	100	5	585
MT4418-O	GaAsP/GaP	Orange Clear	22°	28.0	250	20	2.1	3.0	20	100	5	635
MT4418-HR	GaAsP/GaP	Red Clear	22°	28.0	250	20	2.1	3.0	20	100	5	635



120 Broadway • Menands, New York 12204

Toll Free: (800) 98-4LEDS • Fax: (518) 432-7454