

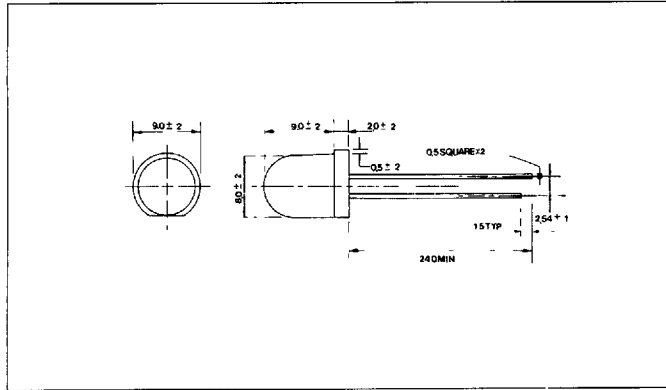
8mm LED Lamp

FEATURES

- Choice of diffused or tinted clear lens

APPLICATIONS

- Outdoor backlighting
- Large area backlighting
- Moving message signs



MAXIMUM RATINGS (Ta = 25°C)

PART NO.	FORWARD CURRENT (I _F) (mA)	REVERSE VOLTAGE (V _R) (V)	POWER DISSIPATION (P _D) (mW)	OPERATING TEMPERATURE (T _{opr}) (°C)	STORAGE TEMPERATURE (T _{stg}) (°C)
MT1498-R	30	3	100	-25~+85	-25~+100
MT1498-RG	30	5	85	-25~+85	-25~+100
MT2498-G	30	5	85	-25~+85	-25~+100
MT3498-Y	30	5	85	-25~+85	-25~+100
MT4498-O	30	5	85	-25~+85	-25~+100
MT4498-HR	30	5	85	-25~+85	-25~+100
MT1198-R	30	3	100	-25~+85	-25~+100
MT1198-RG	30	5	85	-25~+85	-25~+100
MT2198-G	30	5	85	-25~+85	-25~+100
MT3198-Y	30	5	85	-25~+85	-25~+100
MT4198-O	30	5	85	-25~+85	-25~+100
MT4198-HR	30	5	85	-25~+85	-25~+100

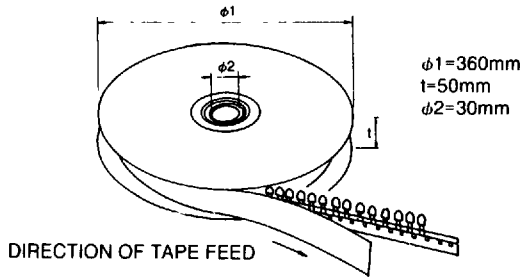
OPTO-ELECTRICAL CHARACTERISTICS (Ta = 25°C)

PART NO.	MATERIAL	LENS COLOR	VIEWING ANGLE	LUMINOUS INTENSITY (mcd)			FORWARD VOLTAGE (V)			REVERSE CURRENT		PEAK WAVELENGTH (nm)
				min.	typ.	@mA	typ.	max	@mA	μA	Vr	
MT1498-R	GaAsP/GaAs	Red Clear	32°	1.6	4.1	10	1.7	2.0	20	100	3	655
MT1498-RG	GaP/GaP	Red Clear	32°	2.5	6.1	10	2.1	3.0	20	100	5	700
MT2498-G	GaP/GaP	Green Clear	32°	12.1	36.3	10	2.1	3.0	20	100	5	567
MT3498-Y	GaAsP/GaP	Yellow Clear	32°	9.4	24.8	10	2.1	3.0	20	100	5	585
MT4498-O	GaAsP/GaP	Orange Clear	32°	14	35	10	2.1	3.0	20	100	5	635
MT4498-HR	GaAsP/GaP	Red Clear	32°	14	35	10	2.1	3.0	20	100	5	635
MT1198-R	GaAsP/GaP	Red Diff	40°	.5	1.2	10	1.7	2.0	20	100	3	655
MT1198-RG	GaP/GaP	Red Diff	40°	.7	1.8	10	2.1	3.0	20	100	5	700
MT2198-G	GaP/GaP	Green Diff	40°	3.6	8.9	10	2.1	3.0	20	100	5	567
MT3198-Y	GaAsP/GaP	Yellow Diff	40°	2.9	7.3	10	2.1	3.0	20	100	5	585
MT4198-O	GaAsP/GaP	Orange Diff	40°	4.1	10.3	10	2.1	3.0	20	100	5	635
MT4198-HR	GaAsP/GaP	Red Diff	40°	4.1	10.3	10	2.1	3.0	20	100	5	635

APPLICATION NOTES

[4] Packaging Reel Packaging

a) Reel type



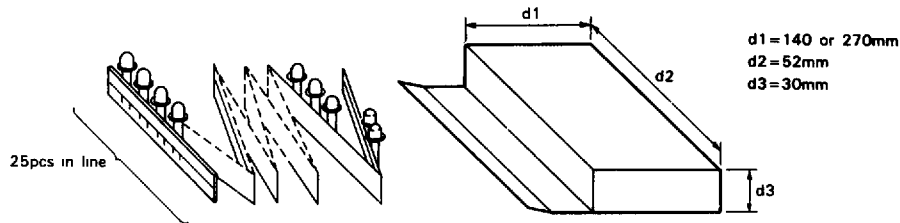
Content

LED Type	Quantity/Reel
$\phi 3$ Series	2000 pcs
$\phi 5$ Series	1000 pcs

T-1 and T- 1 3/4 packages

*Lamps with external shapes other than those above are also available. Please consult Marktech.

b) Zigzag wound tape



At tape beginning and end, there is additional space for 4 pcs or more

Content

LED Type	Quantity/Box
$\phi 3$ Series	2000 or 5000 pcs
$\phi 5$ Series	1000 or 2000 pcs



marktech

5 Hemlock Street • Latham, New York • (518) 786-6591 • FAX (518) 786-6599