



# INNOLUX DISPLAY CORPORATION

## MT170EN01 V.G LCD MODULE SPECIFICATION

( ) Preliminary Specification

(●) Final Specification

<i>Approved by</i>	<i>Checked by</i>	<i>Prepared by</i>

**Innolux Display Corporation,**

No.160 Kesyue Rd., Chu-Nan Site, Hsinchu Science Park,

Chu-Nan 350, Miao-Li County, Taiwan

Tel: 886-37-586000

Fax: 886-37-586060

**Document Number: MT170EN01 V.G-DR4-26**



**Version:05**

### Record of Revision

Version	Revise Date	Page	Content
01	2010-05-05	All	First edition to all





SPEC NO. MT170EN01 V.G

PAGE 3/22

**Contents:****A. General Specification****B. Electrical Specifications**

1. Pin assignment

2. Absolute maximum ratings

3. Electrical characteristics

a. Typical operating conditions

b. Display color v.s. input data signals

c. Input signal timing

d. Display position

e. Backlight driving conditions

**C. Optical specifications****D. Reliability test items****E. Display quality****F. Handling precaution****G. Label****H. Mechanical drawings****Appendix**




SPEC NO. MT170EN01 V.G

PAGE 4/22

**A. General specification**

NO.	Item	Specification	Remark
1	Display resolution (pixel)	1280(H) X 1024(V), SXGA resolution	
2	Active area (mm)	337.92(H) X 270.336(V)	
3	Screen size (inch)	17 inches diagonal	
4	Pixel pitch (mm)	0.264(H) X 0.264(V)	
5	Color configuration	R, G, B vertical stripe	
6	Overall dimension (mm)	358.5(W)x296.5(H)x16(D) (typ)	
7	Weight (g)	2000 (max)	
8	Surface treatment	Anti-glare, Haze = 25%, Hard coating (3H)	
9	Input color signal	8 bit LVDS	
10	Color saturation	72% NTSC	
11	Display colors	16.7M colors (6 bit with Hi-FRC)	
12	Optimum viewing direction	6 o'clock	
13	Backlight	2 CCFL, top & bottom edge side	
14	RoHS	RoHS compliance	

ALL RIGHTS STRICTLY RESERVED. ANY PORTION OF THIS PRPER SHALL NOT BE REPRODUCED, COPIED, OR TRANSFORMED TO ANY OTHER FORMS WITHOUT PERMISSION FROM INNOLUX DISPLAY CORPORATION.

SPEC NO. MT170EN01 V.G

PAGE 5/22

**B. Electrical specifications**

## 1.Pin assignment

**Connector** JAE FI-X30SSL-HF or equivalent

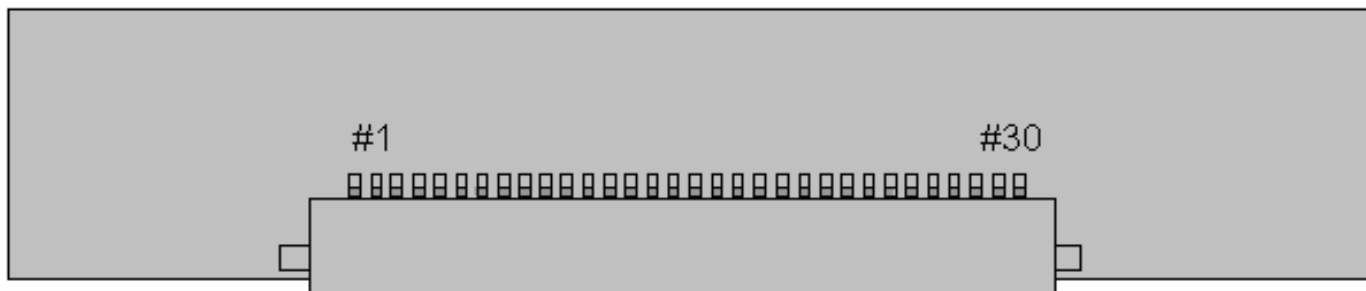
Pin No	Symbol	Description
1	RxO0-	LVDS Differential data input Channel 0(-)
2	RxO0+	LVDS Differential data input Channel 0(+)
3	RxO1-	LVDS Differential data input Channel 1(-)
4	RxO1+	LVDS Differential data input Channel 1(+)
5	RxO2-	LVDS Differential data input Channel 2(-)
6	RxO2+	LVDS Differential data input Channel 2(+)
7	GND	Ground
8	RxOC-	LVDS Differential Clock input (-)
9	RxOC+	LVDS Differential Clock input (+)
10	RxO3-	LVDS Differential data input Channel 3(-)
11	RxO3+	LVDS Differential data input Channel 3(+)
12	RxE0-	LVDS Differential data input Channel 0(-)
13	RxE0+	LVDS Differential data input Channel 0(+)
14	GND	Ground
15	RxE1-	LVDS Differential data input Channel 1(-)
16	RxE1+	LVDS Differential data input Channel 1(+)
17	GND	Ground
18	RxE2-	LVDS Differential data input Channel 2(-)
19	RxE2+	LVDS Differential data input Channel 2(+)
20	RxEC-	LVDS Differential Clock input (-)
21	RxEC+	LVDS Differential Clock input (+)
22	RxE3-	LVDS Differential data input Channel 3(-)
23	RxE3+	LVDS Differential data input Channel 3(+)
24	GND	Ground
25	GND	Ground
26	GND	Ground or Open
27	GND	Ground
28	VCC	Power supply (+5.0V)
29	VCC	Power supply (+5.0V)
30	VCC	Power supply (+5.0V)

ALL RIGHTS STRICTLY RESERVED. ANY PORTION OF THIS PRPER SHALL NOT BE REPRODUCED, COPIED, OR TRANSFORMED TO ANY OTHER FORMS WITHOUT PERMISSION FROM INNOLUX DISPLAY CORPORATION.



SPEC NO. MT170EN01 V.G

PAGE 6/22



Rear view of LCM

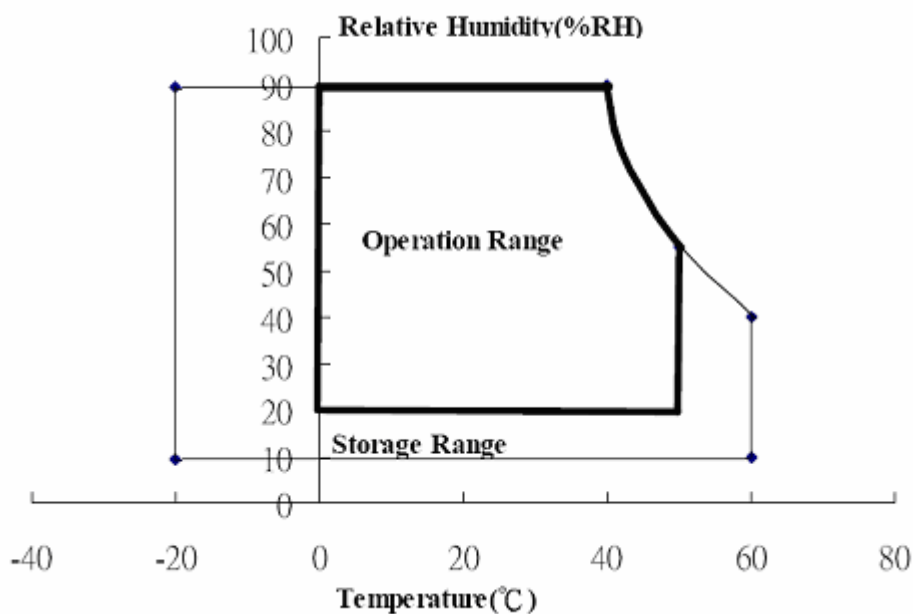
www.panelook.com

## 2. Absolute maximum ratings

Parameter	Symbol	Values		Unit	Remark
		Min.	Max.		
Power voltage	$V_{CC}$	- 0.3	6.0	V	At 25°C
Input signal voltage	$V_{LH}$	- 0.3	3.6	V	At 25°C
Operating temperature	$T_{op}$	0	50	°C	Note 1
Storage temperature	$T_{ST}$	- 20	60	°C	Note 2
CCFL Current	ICFL	2	8.5	[mA] rms	

Note 1: The relative humidity must not exceed 90% non-condensing at temperatures of 40°C or less. At temperatures greater than 40°C, the wet bulb temperature must not exceed 39°C.

Note 2: The unit should not be exposed to corrosive chemicals.



## 3. Electrical characteristics

## a. Typical operating conditions

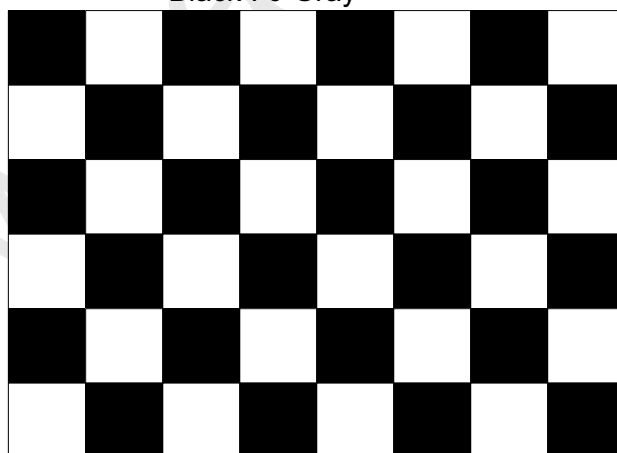
Item	Symbol	Min.	Typ.	Max.	Unit	Remark	
Input Voltage	$V_{cc}$	4.5	5.0	5.5	V		
Permissive Power Input Ripple	$V_{RF}$		-	0.15	Vp-p	Note 1	
Input Current	$I_{cc}$	-	0.7	0.95	A	Note 2	
Differential Impedance	$Z_m$	90	100	110	ohm		
Rush Current	$I_{Rush}$	-	-	3.0	A	Note 3	
Logic Input Voltage LVDS: IN+, IN-	Common Mode Voltage	VCM	1.125	1.25	1.375	V	
	Differential Input Voltage	VID	200	350	450	mV	
	Threshold Voltage (High)	VTH	-	-	100	mV	Note 4
	Threshold Voltage (Low)	VTL	-100			mV	Note 4

Note 1: Power input ripple should not exceed max. value.

Note 2: The specified current is under the  $V_{cc}=5V$ ,  $25^{\circ}C$ ,  $f_v=60Hz$  (frame frequency) condition whereas mosaic pattern (black & white [8\*6] ) is displayed.

White : 255 Gray

Black : 0 Gray



mosaic pattern (black & white [8\*6] )

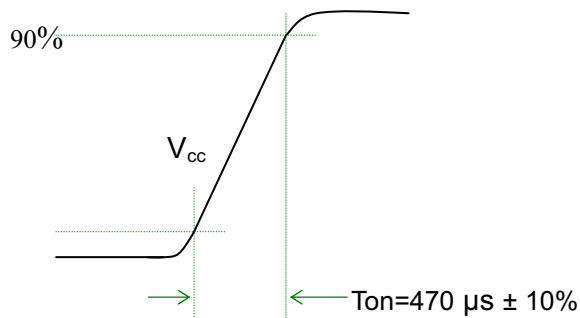


SPEC NO. MT170EN01 V.G

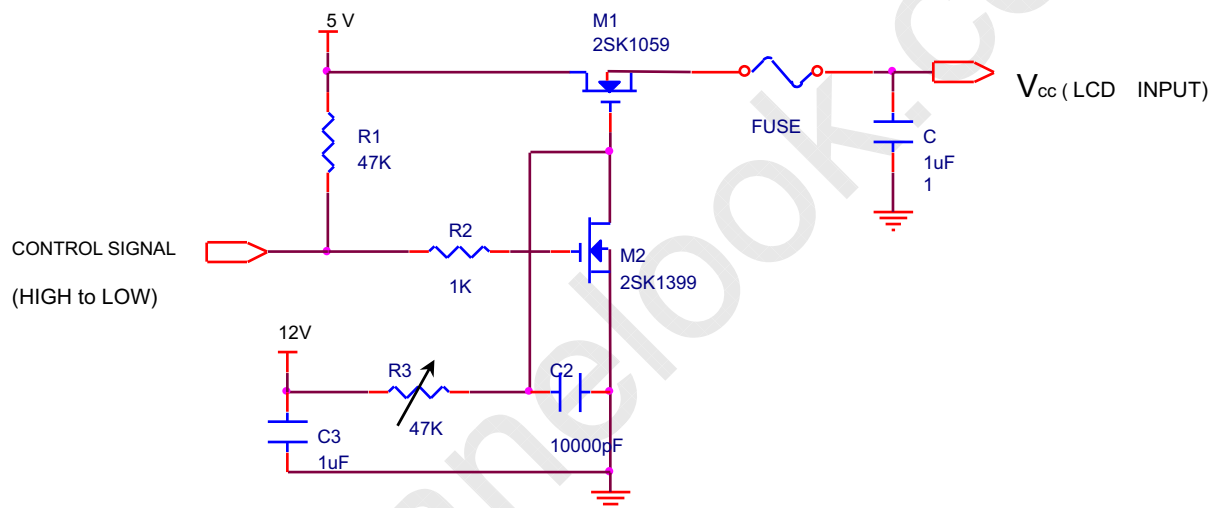
PAGE 9/22

Note 3 : test condition :

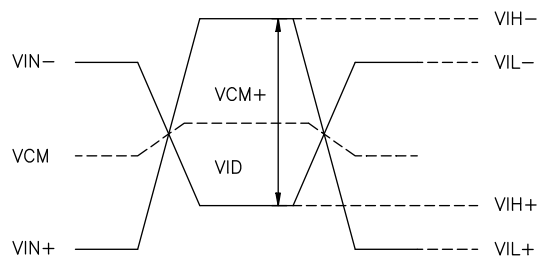
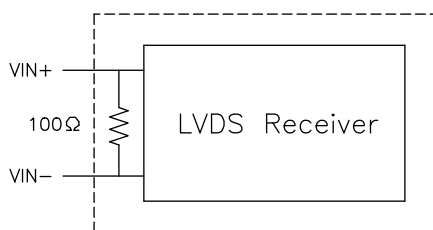
- (1)  $V_{cc} = 5\text{ V}$ ,  $V_{cc}$  rising time =  $470\ \mu\text{s} \pm 10\%$
- (2) Pattern: Mosaic pattern



(3) Test circuit



Note 4 : LVDS signal definition



$$VID = VIN_+ - VIN_- ,$$

$$\Delta VCM = | VCM_+ - VCM_- | ,$$

$$\Delta VID = | VID_+ - VID_- | ,$$

$$VID_+ = | VIH_+ - VIH_- | ,$$

$$VID_- = | VIL_+ - VIL_- | ,$$

$$VCM = (VIN_+ + VIN_-)/2 ,$$

$$VCM_+ = (VIH_+ + VIH_-)/2 ,$$

$$VCM_- = (VIL_+ + VIL_-)/2 ,$$

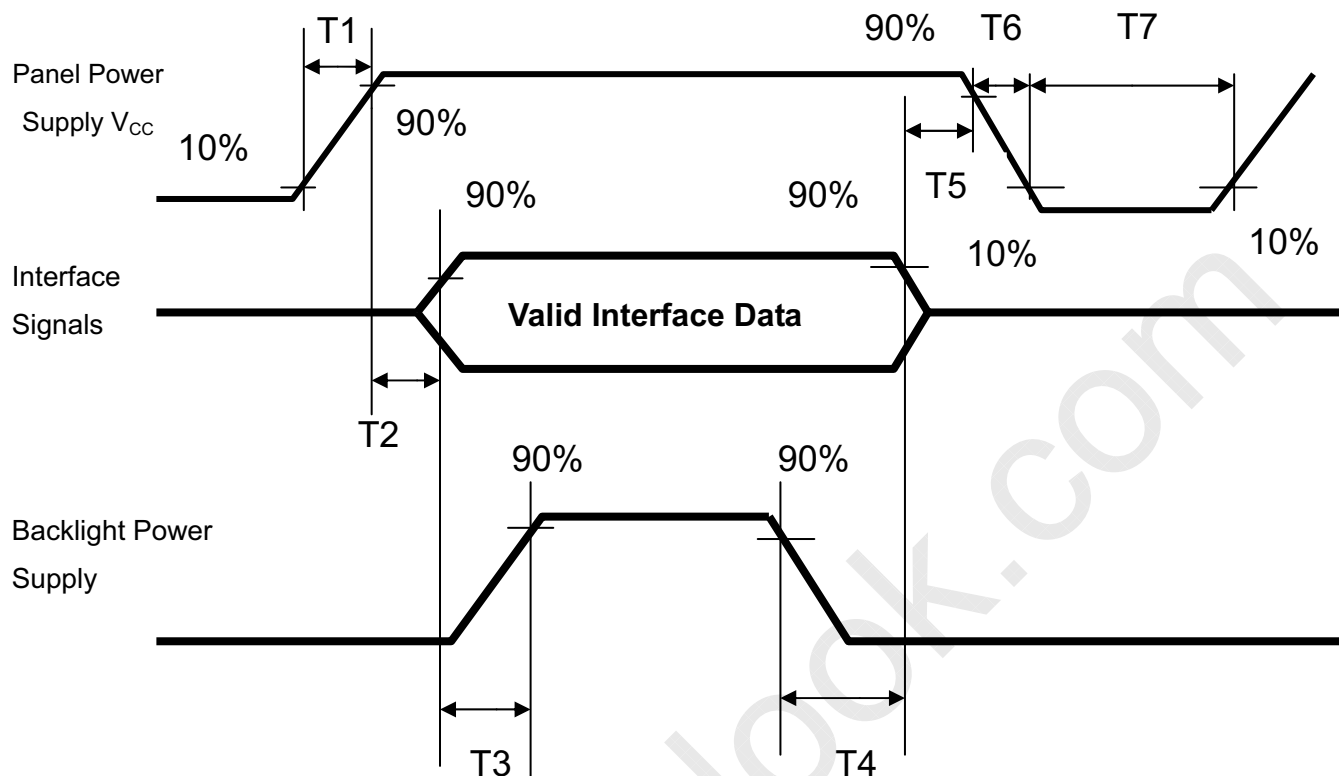
VIN+ = Positive differential DATA &amp; CLK Input

VIN- = Negative differential DATA &amp; CLK Input

ALL RIGHTS STRICTLY RESERVED. ANY PORTION OF THIS PRPER SHALL NOT BE REPRODUCED, COPIED, OR TRANSFORMED TO ANY OTHER FORMS WITHOUT PERMISSION FROM INNOLUX DISPLAY CORPORATION.

SPEC NO. MT170EN01 V.G

PAGE 10/22

Note 5 : Power on sequence for LCD  $V_{cc}$ 

Parameter	Value			Unit
	Min	Typ	Max	
T1	0.1	--	10	ms
T2	0	--	50	ms
T3	200	250	--	ms
T4	100	250	--	ms
T5	0	20	50	ms
T6	0.1	--	--	ms
T7	1000	--	--	ms

b. Display color v.s. input data signals

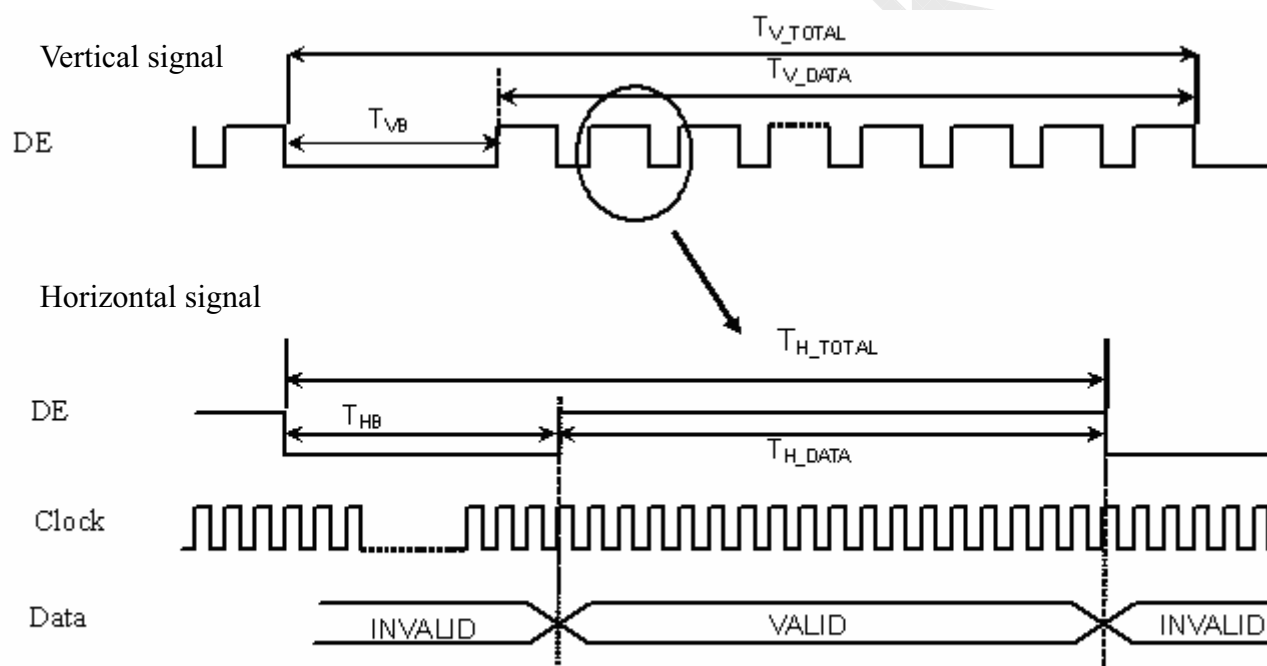
The brightness of each primary color (red, green and blue) is based on the 8-bit gray scale data input for the color; the higher the binary input, the brighter the color. The table below provides a reference for color versus data input.

Color	Input color data																							
	Red								Green								Blue							
	MSB				LSB				MSB				LSB				MSB				LSB			
	R7	R6	R5	R4	R3	R2	R1	R0	G7	G6	G5	G4	G3	G2	G1	G0	B7	B6	B5	B4	B3	B2	B1	B0
Basic colors																								
Black	0	0	0	0	0	0	0	0	0	0	0	0	0	0	0	0	0	0	0	0	0	0	0	0
Red(255)	1	1	1	1	1	1	1	1	0	0	0	0	0	0	0	0	0	0	0	0	0	0	0	0
Green(255)	0	0	0	0	0	0	0	0	1	1	1	1	1	1	1	1	0	0	0	0	0	0	0	0
Blue(255)	0	0	0	0	0	0	0	0	0	0	0	0	0	0	0	0	1	1	1	1	1	1	1	1
Cyan	0	0	0	0	0	0	0	0	1	1	1	1	1	1	1	1	1	1	1	1	1	1	1	1
Magenta	1	1	1	1	1	1	1	1	0	0	0	0	0	0	0	0	1	1	1	1	1	1	1	1
Yellow	1	1	1	1	1	1	1	1	1	1	1	1	1	1	1	1	0	0	0	0	0	0	0	0
White	1	1	1	1	1	1	1	1	1	1	1	1	1	1	1	1	1	1	1	1	1	1	1	1
Red																								
Red(000) dark	0	0	0	0	0	0	0	0	0	0	0	0	0	0	0	0	0	0	0	0	0	0	0	0
Red(001)	0	0	0	0	0	0	0	1	0	0	0	0	0	0	0	0	0	0	0	0	0	0	0	0
Red(002)	0	0	0	0	0	0	1	0	0	0	0	0	0	0	0	0	0	0	0	0	0	0	0	0
:	:	:	:	:	:	:	:	:	:	:	:	:	:	:	:	:	:	:	:	:	:	:	:	:
Red(253)	1	1	1	1	1	1	0	1	0	0	0	0	0	0	0	0	0	0	0	0	0	0	0	0
Red(254)	1	1	1	1	1	1	1	0	0	0	0	0	0	0	0	0	0	0	0	0	0	0	0	0
Red(255) bright	1	1	1	1	1	1	1	1	0	0	0	0	0	0	0	0	0	0	0	0	0	0	0	0
Green																								
Green(000)dark	0	0	0	0	0	0	0	0	0	0	0	0	0	0	0	0	0	0	0	0	0	0	0	0
Green(001)	0	0	0	0	0	0	0	0	0	0	0	0	0	0	0	1	0	0	0	0	0	0	0	0
Green(002)	0	0	0	0	0	0	0	0	0	0	0	0	0	0	1	0	0	0	0	0	0	0	0	0
:	:	:	:	:	:	:	:	:	:	:	:	:	:	:	:	:	:	:	:	:	:	:	:	:
Green(253)	0	0	0	0	0	0	0	1	1	1	1	1	1	1	0	1	0	0	0	0	0	0	0	0
Green(254)	0	0	0	0	0	0	0	1	1	1	1	1	1	1	1	0	0	0	0	0	0	0	0	0
Green(255)bright	0	0	0	0	0	0	0	1	1	1	1	1	1	1	1	1	0	0	0	0	0	0	0	0
Blue																								
Blue(000) dark	0	0	0	0	0	0	0	0	0	0	0	0	0	0	0	0	0	0	0	0	0	0	0	0
Blue(001)	0	0	0	0	0	0	0	0	0	0	0	0	0	0	0	0	0	0	0	0	0	0	0	1
Blue(002)	0	0	0	0	0	0	0	0	0	0	0	0	0	0	0	0	0	0	0	0	0	0	1	0
:	:	:	:	:	:	:	:	:	:	:	:	:	:	:	:	:	:	:	:	:	:	:	:	:
Blue(253)	0	0	0	0	0	0	0	0	0	0	0	0	0	0	0	0	1	1	1	1	1	1	0	1
Blue(254)	0	0	0	0	0	0	0	0	0	0	0	0	0	0	0	0	1	1	1	1	1	1	1	0
Blue(255) bright	0	0	0	0	0	0	0	0	0	0	0	0	0	0	0	0	1	1	1	1	1	1	1	1

## c. Input signal timing

Support Input Timing Table

	Item	Description	Min.	Typ.	Max.	Unit
Clock	Dclk	period	14.43	18.52	22.22	nS
		frequency	45	54	69.3	MHz
Vertical	$T_{V\_TOTAL}$	V total line number	1044	1066	1100	$T_{H\_TOTAL}$
	$T_{V\_DATA}$	Data duration	—	1024	—	$T_{H\_TOTAL}$
	$T_{VB}$	V-blank	20	42		$T_{H\_TOTAL}$
	$f_V$	frequency	50	60	77	Hz
Horizontal	$T_{H\_TOTAL}$	H total pixel number	790	844	880	DCIk
	$T_{H\_DATA}$	Data duration	—	640	—	DCIk
	$T_{HB}$	H-blank	150	204		DCIk



Note : DE is reference signal, DE means the display data valid.

SPEC NO. MT170EN01 V.G

PAGE 13/22

## d. Display Position

D(1, 1)	D(2, 1)	.....	D(640, 1)	.....	D(1279, 1)	D(1280, 1)
D(1, 2)	D(2, 2)	.....	D(640, 2)	.....	D(1279, 2)	D(1280, 2)
⋮		.....	⋮	.....	⋮	⋮
D(1, 512)	D(2, 512)	.....	D(640, 512)	.....	D(1279, 512)	D(1280, 512)
⋮		.....	⋮	.....	⋮	⋮
D(1, 1023)	D(2, 1023)	.....	D(640, 1023)	.....	D(1279, 1023)	D(1280, 1023)
D(1, 1024)	D(2, 1024)	.....	D(640, 1024)	.....	D(1279, 1024)	D(1280, 1024)

## e. Backlight driving conditions

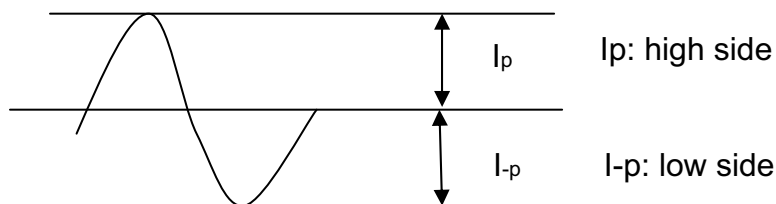
Parameter	Symbol	Min.	Typ.	Max.	Unit	Remark	Remark
Lamp voltage	VL	531	590	649	Vrms	@8.0mA	
Lamp operation current	IL	2	8.0	8.5	mArms		Note 1
Lamp starting voltage	VLstart	1300			Vrms	T = 25°C	Note 2,3,4,5
		1600				T = 0°C	Note 2,3,4,5
Frequency	F	40	55	60	KHZ		Note 5
Lamp life time		50,000			Hr		Note 6

Note: The waveform of the voltage output of inverter must be area-symmetric and the design of the inverter must have specifications for the modularized lamp. The performance of the Backlight, such as lifetime or brightness, is greatly influenced by the characteristics of the DC-AC inverter for the lamp. All the parameters of an inverter should be carefully designed to avoid producing too much current leakage from high voltage output of the inverter. When designing or ordering the inverter please make sure that a poor lighting caused by the mismatch of the Backlight and the inverter (miss-lighting, flicker, etc.) never occurs. If the above situation is confirmed, the module should be operated in the same manners when it is installed in your instrument.

## Note 1 :

The degrees of unbalance: less than 10%

The ratio of wave height: less than  $\sqrt{2} \pm 10\%$



The degrees of unbalances =  $|I_p - I-p| / I_{rms} * 100(\%)$

The ratio of wave height =  $I_p(\text{or } I-p) / I_{rms}$

Lamp should be completely turned on.

SPEC NO. MT170EN01 V.G

PAGE 14/22

## Note 2:

Test equipment: AS-114B, Output Capacitor =15pF, f=46KHz

## Note 3:

The voltage shown above should be applied to the lamp for more than 1 second after startup. Otherwise, the lamp may not be turned on normally.

## Note 4:

Inverter should provide more than min. value, and then lamp could be completely turned on

## Note 5:

Lamp frequency may produce interference with horizontal synchronous frequency and this may cause line flow on the display. Therefore lamp frequency shall be detached from the horizontal synchronous frequency and its harmonics as far as possible in order to avoid interference.

Lamp Hi-POT test spec: The current leakage should not be more than ( $\leq$ ) 0.8mA under the conditions of "the frequency of the inverter output voltage keeping 60Hz, test voltage keeping 2.5KV and test time keeping 2sec".

## Note 6:

Lamp life definition:

The brightness of lamp becomes 50% of the initial brightness or not normal lighting.

Backlight connector : 35001HS-02L

Pin no.	Symbol	Function	Remark
1	VIH	Lamp high voltage input(Upper)	Cable color: Red
2	VIL	Lamp low voltage input(Upper)	Cable color: White
3	VIL	Lamp High voltage input(Lower)	Cable color: Blue
4	VIH	Lamp low voltage input(Lower)	Cable color: Black

**C. Optical specifications**

Item	Symbol	Condition	Specification			Unit	Remark
			Min.	Typ.	Max.		
Response time	Tr	$\theta = 0^\circ$	-	1	4	ms	Note 4
	Tf		-	4	6		
	Tr+Tf		-	5	10		
Contrast ratio	CR	$\theta = 0^\circ$	700	1000			Note 3,5
Viewing angle	Top	$CR \geq 10$	70	80	-	deg	Note 3,5,7
		$CR \geq 5$	75	85			
	Bottom	$CR \geq 10$	70	80	-		
		$CR \geq 5$	75	85			
	Left	$CR \geq 10$	70	80	-		
		$CR \geq 5$	75	85			
Right	$CR \geq 10$	70	80	-			
	$CR \geq 5$	75	85				
Brightness (Center)	$Y_L$		200	250		nit	Note 3,6
Color chromaticity(CIE)	$W_x$	$\theta = 0^\circ$	-0.03	0.313	+0.03		Note 3
	$W_y$			0.329			
	$R_x$			0.640			
	$R_y$			0.349			
	$G_x$			0.284			
	$G_y$			0.617			
	$B_x$			0.142			
	$B_y$			0.067			
White uniformity (9)	$\delta_w$		0.75	0.80	-		Note 3,8
Cross talk	Ct		-	-	2%		Note 9

Note 1: Ambient temperature = 25°C.

Note 2: To be measured in dark room after backlight warm up 30 minutes.

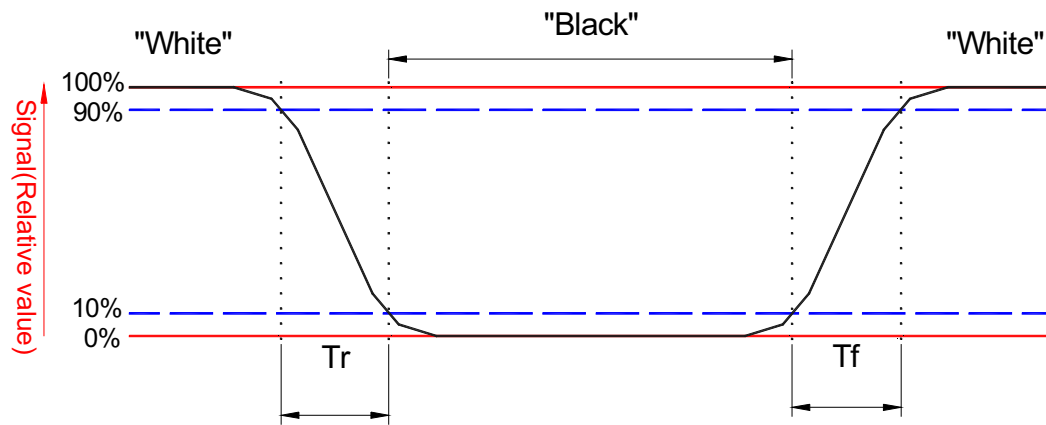
Note 3: To be measured with a viewing cone of 2° by Topcon luminance meter BM-5A.

Note 4: Definition of response time:

The output signals of BM-7 are measured when the input signals are changed from "Black" to "White" (falling time) and from "White" to "Black" (rising time), respectively. The response time interval between the 10% and 90% of amplitudes. Refer to figure as below.

SPEC NO. MT170EN01 V.G

PAGE 16/22



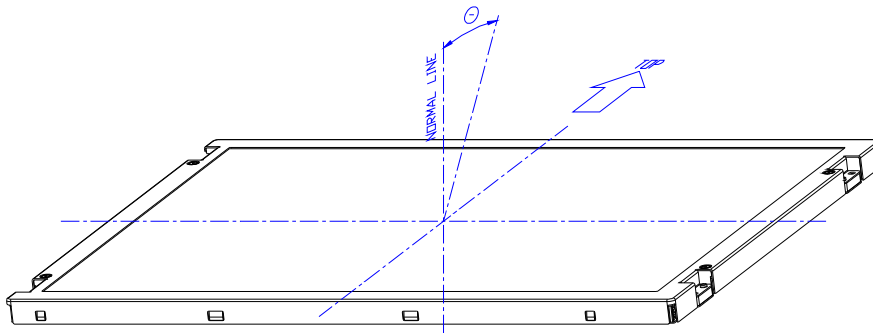
Note 5. Definition of contrast ratio:

Contrast ratio is calculated with the following formula.

$$\text{Contrast ratio (CR)} = \frac{\text{Brightness on the "white" state}}{\text{Brightness on the "black" state}}$$

Note 6: Driving conditions for CCFL:  $I_L = 8.0 \text{ mA}$ , 50 KHz Frequency.

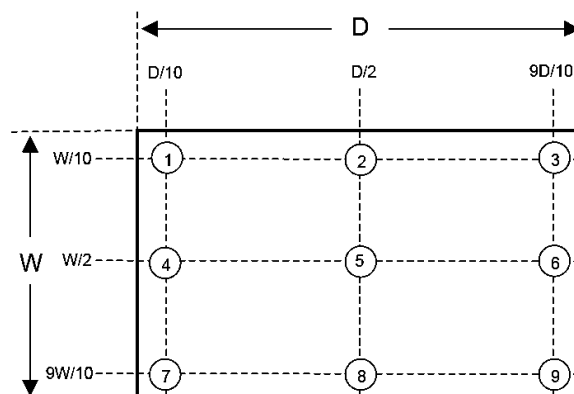
Note 7: Definition of viewing angle



Note 8: Definition white uniformity:

Luminance are measured at the following nine points (1~9).

$$\delta_w = \frac{\text{Minimum Brightness of nine points}}{\text{Maximum Brightness of nine points}}$$



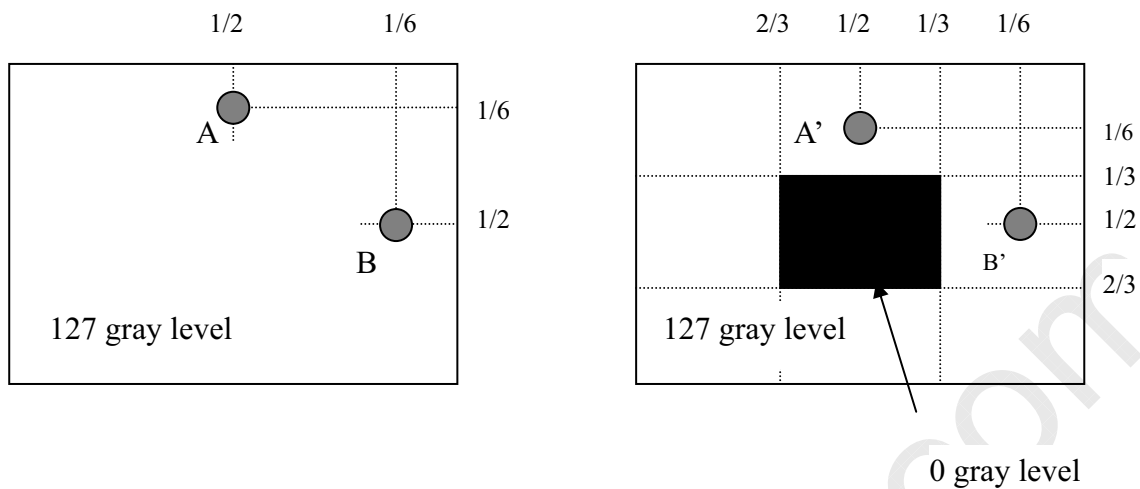
ALL RIGHTS STRICTLY RESERVED. ANY PORTION OF THIS PRPER SHALL NOT BE REPRODUCED, COPIED, OR TRANSFORMED TO ANY OTHER FORMS WITHOUT PERMISSION FROM INNOLUX DISPLAY CORPORATION.



SPEC NO. MT170EN01 V.G

PAGE 17/22

## Note 9:

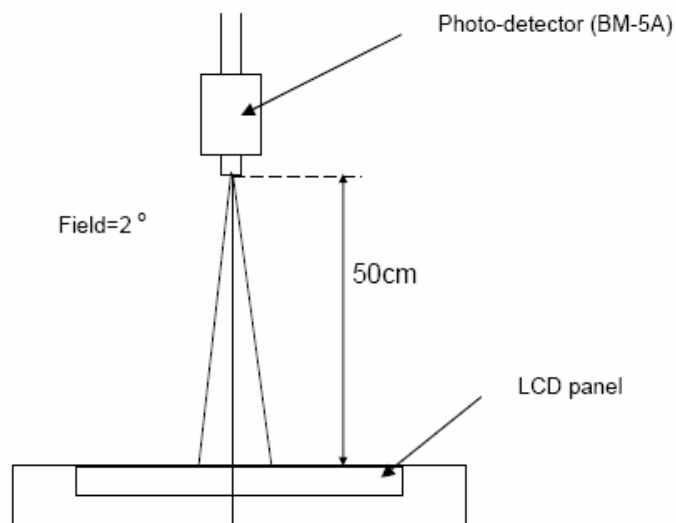


Unit: percentage of dimension of display area

 $|L_A - L_{A'}| / L_A \times 100\% = 2\% \text{ max.}$ ,  $L_A$  and  $L_{A'}$  are brightness at location A and A'

 $|L_B - L_{B'}| / L_B \times 100\% = 2\% \text{ max.}$ ,  $L_B$  and  $L_{B'}$  are brightness at location B and B'

## Note 10: Optical characteristic measurement setup



**D. Reliability test items**

Test Item	Test Condition	Judgement	Remark
High temperature storage	60°C, 240Hrs	Note 1	Note 2
Low temperature storage	-20°C, 240Hrs	Note 1	Note 2
High temperature & high humidity operation	40°C, 90%RH,240Hrs (No condensation)	Note 1	Note 2
High temperature operation	50°C, 240Hrs	Note 1	Note 2
Low temperature operation	0°C, 240Hrs	Note 1	Note 2
Thermal Shock (non-operation)	-20°C/1h~60°C/1h, 100cycles	Note 1	Note 2
Electrostatic discharge (ESD) (non-operation)	Contact: +/-8kV, 150pF(330ohms), 10 times/1 point, 1 time/1 sec Air discharge: +/-15kV, 150pF(330ohms), 10 times/1 point, 1 time/1 sec	Note 1	Note 2
Vibration (non-operation)	Vibration level : 1G Bandwidth : 10-500Hz Waveform : sine wave, sweep rate : 30min 1H for each direction X, Y, Z (3Hrs in total)	Note 1	Note 2
Mechanical shock (non-operation)	Shock level : 50G/11ms, Waveform : Half sine wave Direction: ±X, ±Y, ±Z once for each direction	Note 1	Note 2
MTBF Demonstration	50,000 hours with confidence level 90%	Note 1	Note 3

**Note 1 :**

Pass: Normal display image with no obvious non-uniformity and no line defect. Partial transformation of the module parts should be ignored.

Fail: No display image, obvious non-uniformity, or line defects.

**Note 2 :**

Evaluation should be tested after storage at room temperature for two hours.

**Note 3 :**

The MTBF ( Exclude CCFL ) calculation is based on the assumption that the failure rate distribution meets the Exponential Model.

SPEC NO. MT170EN01 V.G

PAGE 19/22

### E. Display quality

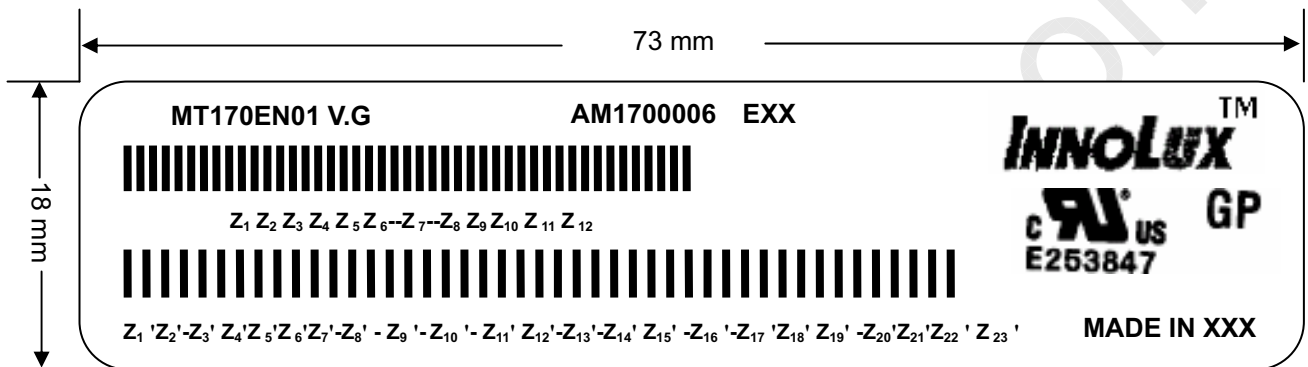
The display quality of the color TFT-LCD module should be in compliance with the Innolux's Incoming inspection standard.

### F. Handling precaution

The Handling of the TFT-LCD should be in compliance with the Innolux's handling principle standard.

### G. Label

#### (1) Module Label



(a) Model Number : MT170EN01

(b) Version : V.G

(c) Serial ID I : Z<sub>1</sub> Z<sub>2</sub> Z<sub>3</sub> Z<sub>4</sub> Z<sub>5</sub> Z<sub>6</sub> Z<sub>7</sub> Z<sub>8</sub> Z<sub>9</sub> Z<sub>10</sub> Z<sub>11</sub> Z<sub>12</sub>

Serial No

Code of grade

INL internal use

INL internal use

Year, Month, Date

INL internal use

Serial ID includes the information as below :

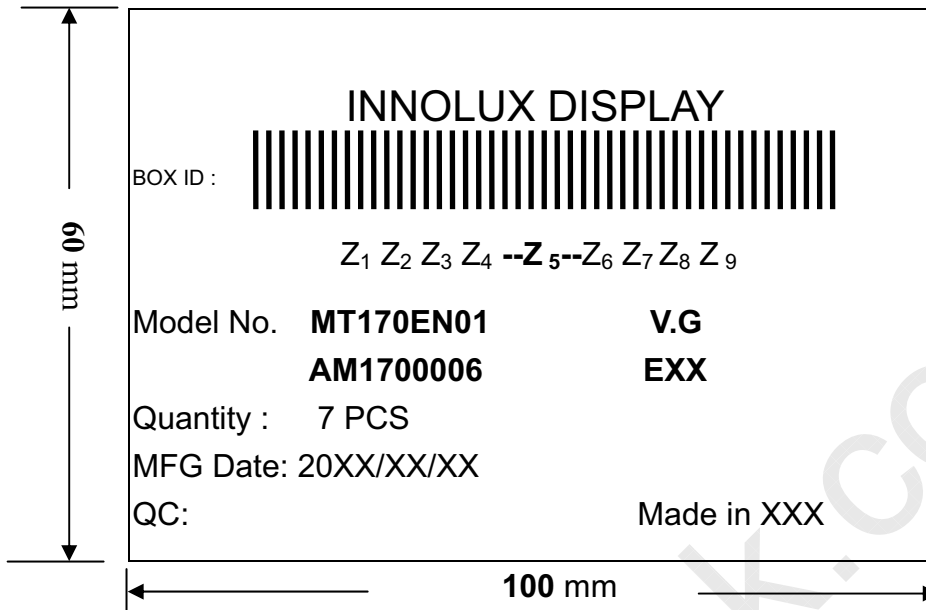
1. Manufactured Date: Year: 0~9, for 2010~2019.
2. Month: 1~9 & A~C for Jan.~Dec.
3. Date: 1~9 & A~Z (exclude I, O, Q, U) for 1th~31th.
4. Code of grade: 1, 2,3, 5, 7, E
5. Serial No: Module manufacture sequential number.

(e) Serial ID II (INL internal use)

ALL RIGHTS STRICTLY RESERVED. ANY PORTION OF THIS PRPER SHALL NOT BE REPRODUCED, COPIED, OR TRANSFORMED TO ANY OTHER FORMS WITHOUT PERMISSION FROM INNOLUX DISPLAY CORPORATION.

SPEC NO. MT170EN01 V.G

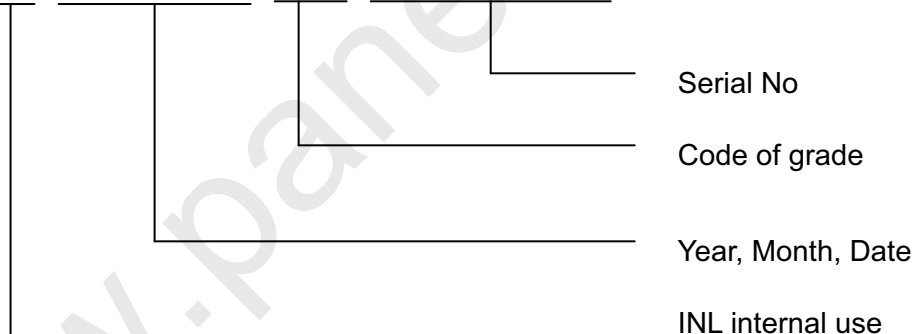
PAGE 20/22

**(2) Carton Label**

(a) Model Number: MT170EN01

(b) Version: V.G

(c) Packing quantity: 7 pcs

(d) Serial ID:  $Z_1$   $Z_2$   $Z_3$   $Z_4$   $Z_5$   $Z_6$   $Z_7$   $Z_8$   $Z_9$ 

Serial ID includes the information as below:

(a) Manufactured Date: Year: 0~9, for 2010~2019

Month: 1~9 &amp; A~C for Jan.~Dec.

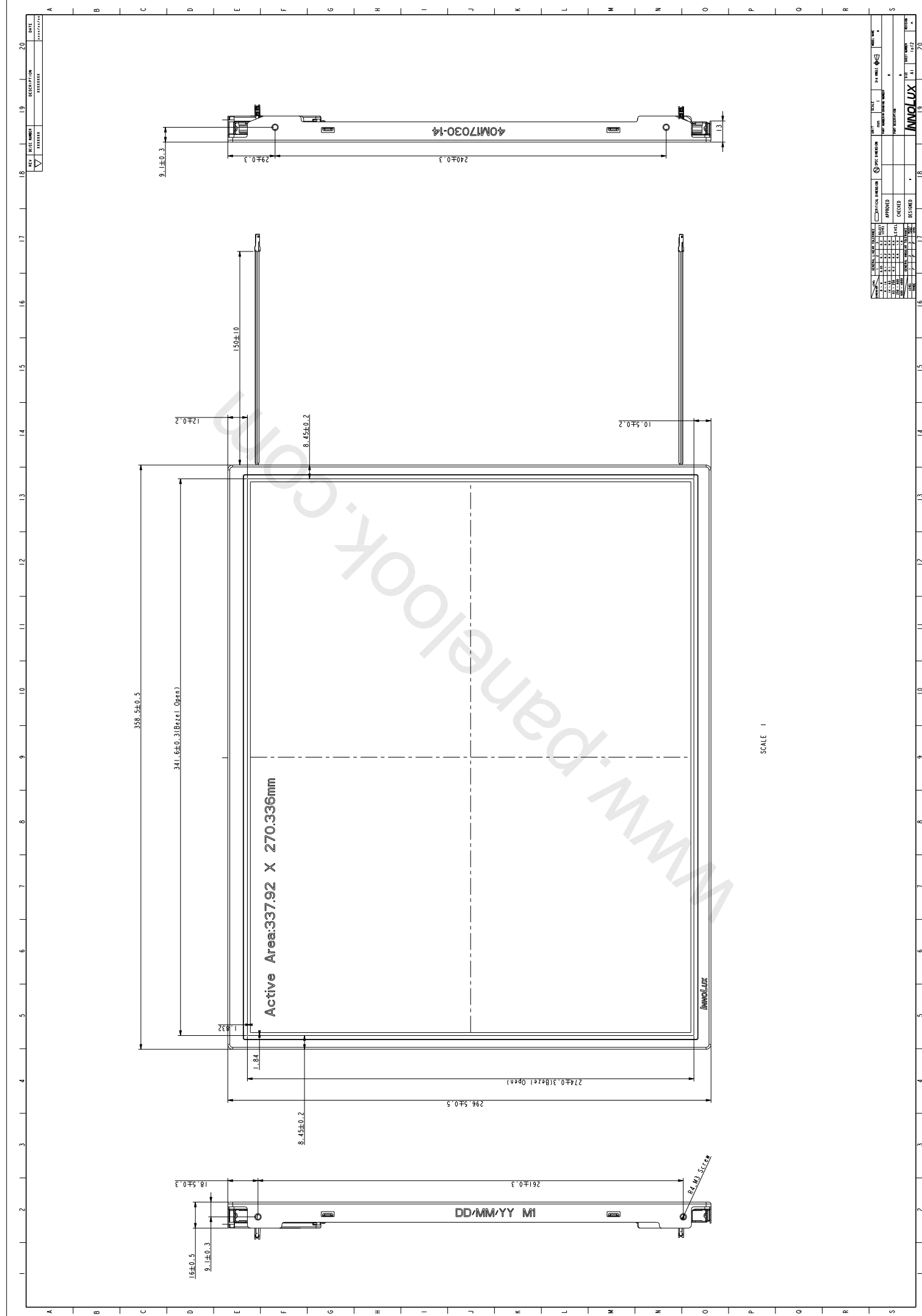
Date: 1~9 &amp; A~Z (exclude I, O, Q, U) for 1st~31th

(b) Code of grade: 1,2, 3, 5, 7, E

(c) Serial No: Module packing sequential number.

**H. Mechanical drawings**

ALL RIGHTS STRICTLY RESERVED. ANY PORTION OF THIS PRPER SHALL NOT BE REPRODUCED, COPIED, OR TRANSFORMED TO ANY OTHER FORMS WITHOUT PERMISSION FROM INNOLUX DISPLAY CORPORATION.



NO.	DATE	DESCRIPTION	REV.	DATE	DESCRIPTION
1	20		1	19	
2			2	18	
3			3	17	
4			4	16	
5			5	15	
6			6	14	
7			7	13	
8			8	12	
9			9	11	
10			10	10	
11			11	9	
12			12	8	
13			13	7	
14			14	6	
15			15	5	
16			16	4	
17			17	3	
18			18	2	
19			19	1	
20			20	0	

